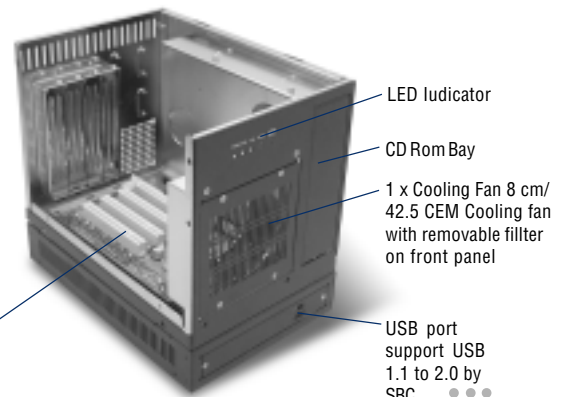


IEC-7401

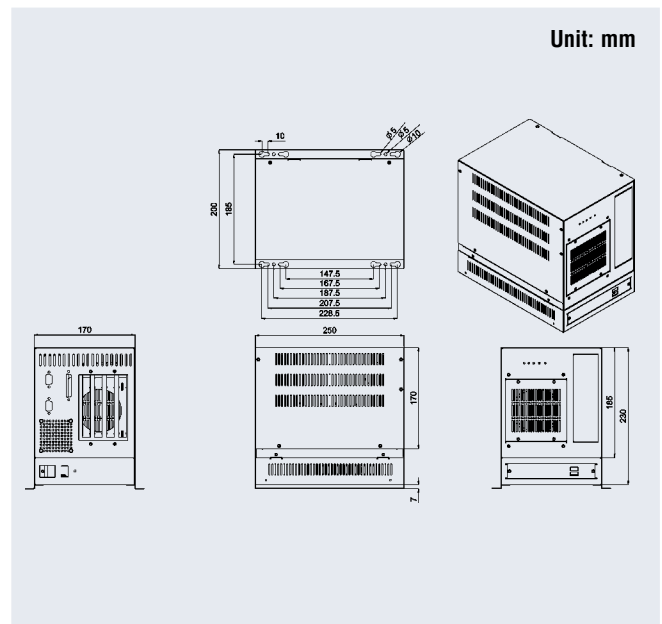
Half-Size 4-Slot Wallmount Chassis



Specifications

- **Construction:** Heavy-duty steel chassis
- **Color:** Dark Blue
- **Disk Drive Bay:**
 - 5.25" Drives: 1 (Front Accessible)
 - 3.5" Drives: 1 (Internal)
- One 8cm/42.5 CFM cooling fan with removable filter on front panel
- **Controls on Front Panel:** System reset and alarm reset buttons, two USB ports
- **Controls on Rear Panel:** Power On/Off button, two COM ports, one printer port
- **Indicators on Front Panel:** Three LEDs for Power On, HDD activity, fan failure alarm
- **EMI:** FCC Class A, CE
- **Supports 70W AT power supply**
- **Operating Humidity:** 0~45°C (0~75°C non-operating)
- **Relative Humidity:** 10 to 95%, @25°C, non-condensing
- **Dimension (W x H x D):** 114 x 226 x 240mm (4.5" x 8.9" x 9.4")
- **Carton Dimension (W x H x D):** 232 X 363 X 355mm (9.1" x 14.3" x 14")
- **Net Weight:** 4.2 kg (9.3 lb)
- **Gross Weight:** 5 kg (11 lb)

Dimension Diagram



Backplanes

Model Name	System	Amount of Slots
PBPCI-4SA	Single	4 PCI
PBI-4SA	Single	4-slot ISA
PBP-4SA	Single	1 PISA/ 3 PCI

Power Supplies

Model Name	Watt	Input Range	Max.load	Mini.load
IPS-SNP-8071-A	70w(AT)	85-270 VAC@ 47-63Hz	+5 V@10A +12 V@1.5A -12 V@0.3A	+5 V@0A +12 V@2.5A -12V@2.5A

Ordering Information

IEC-7401-I04A-FR070

Half-size 4-slot Wallmount Chassis with 4 PCI Backplane 70W AT Power Supply (PBPCI-4SA)

IEC-7401-S04A-FR070

Half-size 4-slot Wallmount Chassis with 4 ISA Backplane 70W AT Power Supply (PBI-4SA)

IEC-7401-P04A-FR070

Half-size 4-slot Wallmount Chassis with 1 PISA/ 3 PCI Backplane 70W AT Power Supply (PBP-4SA)