

INPUT CHARACTERISTICS:**R1M-6250P**

- VOLTAGE: 90 ~ 264 VAC FULL RANGE
- FREQUENCY : 47 ~ 63 Hz
- INPUT CURRENT: 6.0 / 3.0 A FOR 115 / 230 VAC
- INRUSH CURRENT: 40A / 80A MAX. FOR 115 / 230 VAC PER POWER MODULE

OUTPUT CHARACTERISTICS:

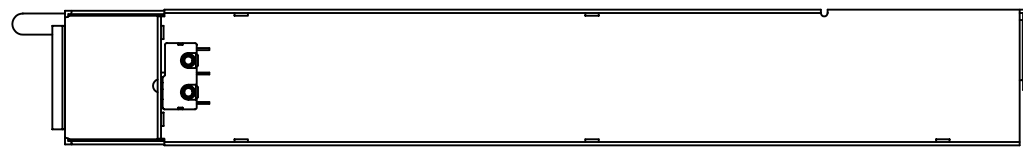
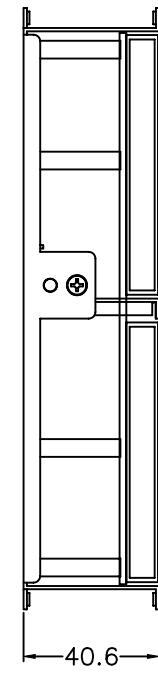
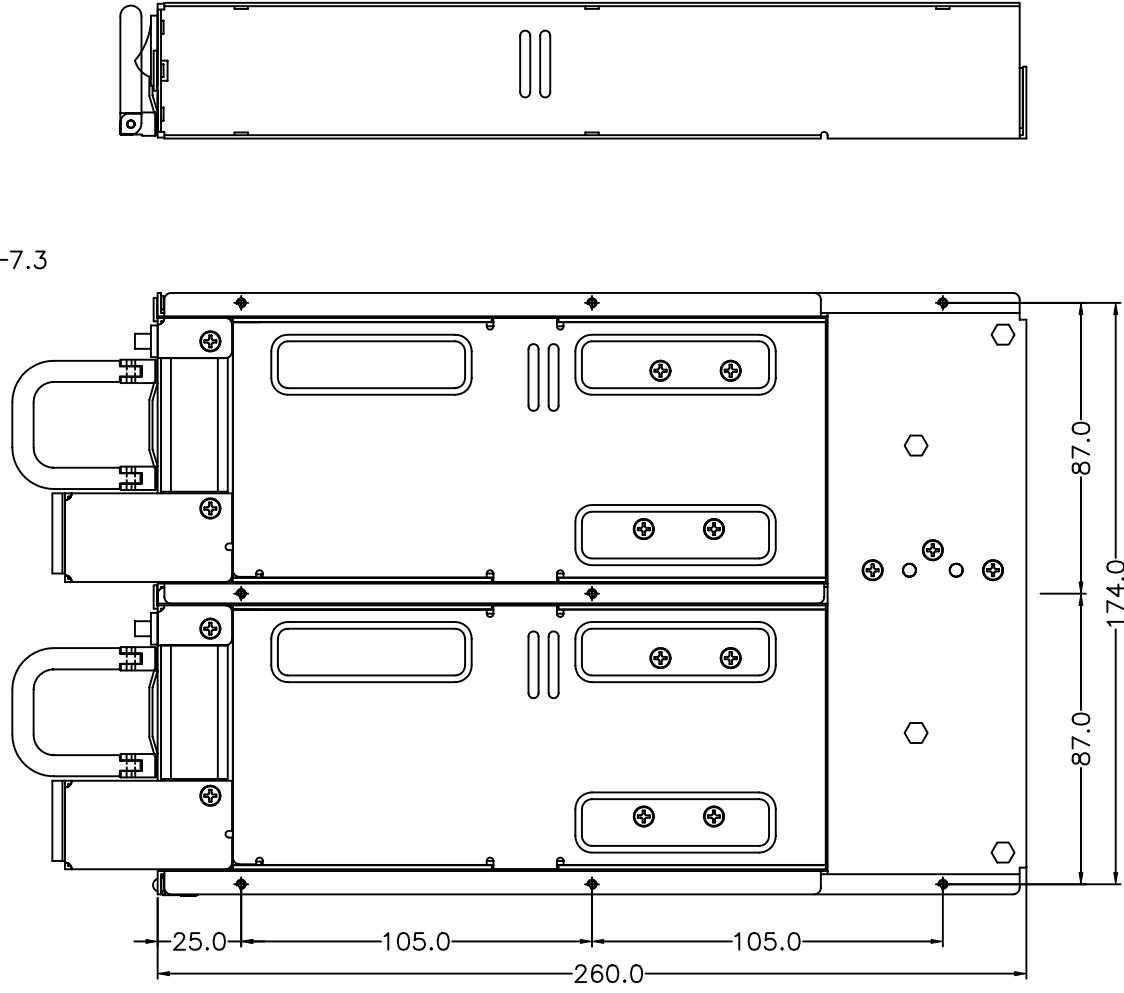
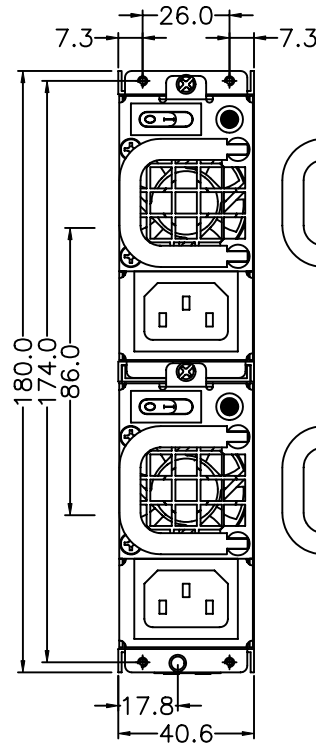
OUTPUT VOLTAGE	OUTPUT CURRENT			REGULATION		OUTPUT
	MIN.[A]	MAX.[A]	PEAK(A)	LOAD	LINE	RIPPLE & NOISE MAX. [P-P]
5V	3.0	25		± 5%	± 1%	50mV
12V	2	16		± 7%	± 1%	100mV
-5V	0.05	0.5		±10%	± 1%	120mV
-12V	0.05	0.5		±10%	± 1%	150mV
3.3V	1.0	15		± 5%	± 1%	50mV
+5VSB	0.1	2.0		± 5%	± 1%	50mV

REMARKS: TOTAL CURRENT OF +5V AND + 3.3V NOT EXCEED 28 A

TOTAL +5V AND 3.3V AND 12V POWER NOT EXCEED 232 W

- TEMPERATURE RANGE : OPERATING 0⁰C --- 40⁰C, STORAGE -20⁰C --- 70⁰C
- HOLD UP TIME: 16 ms MINIMUM AT FULL LOAD & 90 VAC INPUT VOLTAGE
- DIELECTRIC WITHSTAND: INPUT / OUTPUT 1500 VAC FOR 1 MINUTE
INPUT TO FRAME GROUND 1500 VAC FOR 1 MINUTE
- EFFICIENCY: 63% TYPICAL, AT FULL LOAD
- POWER GOOD SIGNAL: ON DELAY 100 ms TO 500 ms, OFF DELAY 1 ms
- OVER LOAD PROTECTION: 110 ~ 160% MAX.
OVER VOLTAGE PROTECTION:
+5V → 5.7V ~ 6.5V, 3.3V → 3.9 ~ 4.3V, 12V → 13.6 ~ 14.5V
- SHORT CIRCUIT PROTECTION : SHUT DOWN
- EMI NOISE FILTER: FCC CLASS B, CISPR22 CLASS B
- SAFETY: MEET UL 1950, CSA 22.2 NO/ 950, TÜV IEC 950
- REMOTE ON / OFF CONTROL
- FAULTY ALARM METHODS : LED, BUZZER, TTL SIGNAL
- HOT-SWAPPABLE / HOT-PLUGGABLE 1 + 1 REDUNDANCY FUNCTION
- BALANCE LOAD SHARING DESIGN
- REMOTE SENSING DESIGN
- ISOLATION: BUILT-IN IN THE POWER MODULE
- MEET IEC-1000-3-2 CLASS D (ACTIVE PFC)
- DIMENSION: 40.6(H) X 180(W) X 260 (D) mm ;
- COOLING : TWO 40 mm DC FANS


REVISIONS		日期 DATE
修訂	REVISIONS	
版次 REV.	記述 DESCRIPTION	



NOTE:
1. POWER MODULE WITH EMI FILTER

容許公差: TOLERANCES:	.XXX ±.025 .XX ±.100 .X ±.250
投影法: PROJECTION:	第三角法

材料規格: MATERIAL:	
核准者: APPROVE BY:	
日期: DATE:	
審核者: CHECK BY:	
日期: DATE:	
繪圖者: DRAW BY:	
日期: DATE:	JAN-23-2003

 新巨企業股份有限公司 ZIPPY TECHNOLOGY CORP. POWER DIVISION	
品名: MODEL NO:	R1M 外觀尺寸圖
料號: PART NO:	
圖號: DRAW NO:	R1M0MA00
槽號: FILE NO:	R1M0MA00
單位: UNITS:	mm
版次: REV. NO:	S1
規格: SPEC:	A2
編號: SHEET:	OF