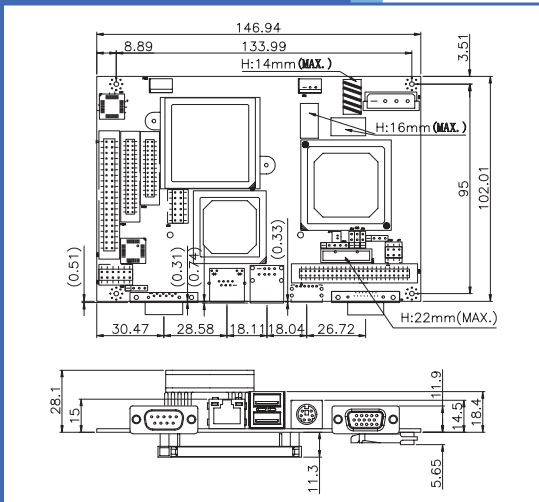


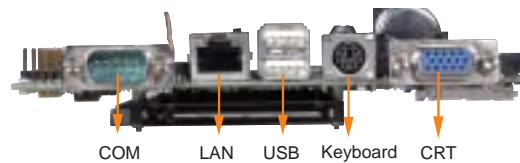
WAFER-C800EV/E667EV

3.5" VIA Embedded CPU Board
with LCD/CRT VGA, LAN, and Audio

Dimensions:



1GHz
CPU



SPECIFICATIONS

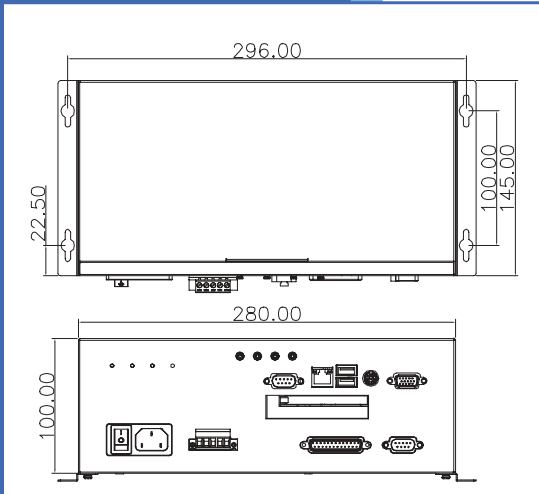


EB-1850 Embedded chassis for WAFER-C800EV/E667EV

- Supports one PCMCIA type II socket
- Equipped with ACE-890A PSU
- Optional ACE-890 series PSU
- Supports one 2.5" drive bay (Anti-Vibration designed)
- Dimension: 280mm(W)x100mm(H)x154mm(D)

- **CPU:** Embedded VIA C3 or EDEN EBGA CPU
- **System Chipset:** VIA VT8606 + VT8231
- **System Memory:** One 144-pin SODIMM socket up to 512MB SDRAM
- **Display:** 128-bit Single Cycle 2D/3D Graphics Engine (VIA VT8606)
 - AGP 4X bus bandwidth up to 1066 MB/sec
 - V-RAM: shared with system memory
 - Resolution: up to 1920 x 1440
 - Integrated 32-bit True Color DAC
 - Connector: DB-15
- **LCD Interface:**
 - 36-bit DSTN/TFT flat panel for TTL interface supports 256 shades of gray
 - Connector: 50 pin-header
- **Ethernet:** 1 x 10/100Mbps Fast Ethernet (VIA 8231 Chipset integrated + VT6103 PHY)
- **I/O:**
 - 1 x RS232/422/485
 - 1 x LPT
 - 2 x USB 1.1
 - 1 x PS/2
 - 1 x IrDA
 - 2 x ATA-100 IDE channel, supports CD-ROM; ZIP and LS-120 bootable
- **Audio:** AC'97 Codec
- **Expansion Slot:**
 - 1 x PCMCIA type II socket
- **Power Supply Input:** 4-pin power housing (5V only, 5.25" Drive Connector)
- **Power Consumption:**
 - WAFER-C800EV: 12V@170mA; 5V@4.08A
 - WAFER-E667EV: 12V@50mA; 5V@2.6A(with 512MB SDRAM Windows 2000)
- **Operation Temperature:** 0~60°C
- **Relative Humidity:** 5~95%, non-condensing

Dimensions:



ORDERING INFORMATION

- **WAFER-C800EV**
VIA C3 800MHz CPU Embedded Board with LCD/CRT VGA, LAN and Audio
- **WAFER-C800EV-1G**
VIA C3 1GHz CPU Embedded Board with LCD/CRT VGA, LAN and Audio
- **WAFER-E667EV**
VIA Eden 667MHz CPU Embedded Board with LCD/CRT VGA, LAN and Audio
- **WAFER-E667EV-733**
VIA Eden 733MHz CPU Embedded Board with LCD/CRT VGA, LAN and Audio