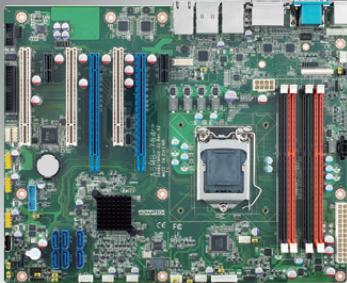


# ASMB-784

**LGA 1150 Intel® Xeon® E3 V3 ATX Server Board with 2 PCIe x16 slots (x8 link) or 1 PCIe x16 slot (x16 link), 3 PCI, USB 3.0, PCIe Gen III, Quad/Dual LANs**

**Preliminary**



## Features

- Supports LGA 1150 Intel® Xeon® E3 V3 processors
- One Gen 3.0 PCIe x16 or two PCIe x16 slots with x8 link, two PCIe x1 and three PCI slots
- DDR3 1600 MHz ECC UDIMM up to 32GB
- Rackmount optimized placement with positive air flow design
- Support iAMT 9.0 or IPMI (optional) and Embedded software APIs and utilities

Software APIs:



SMBus



H/W Monitor



Watchdog

Utilities:



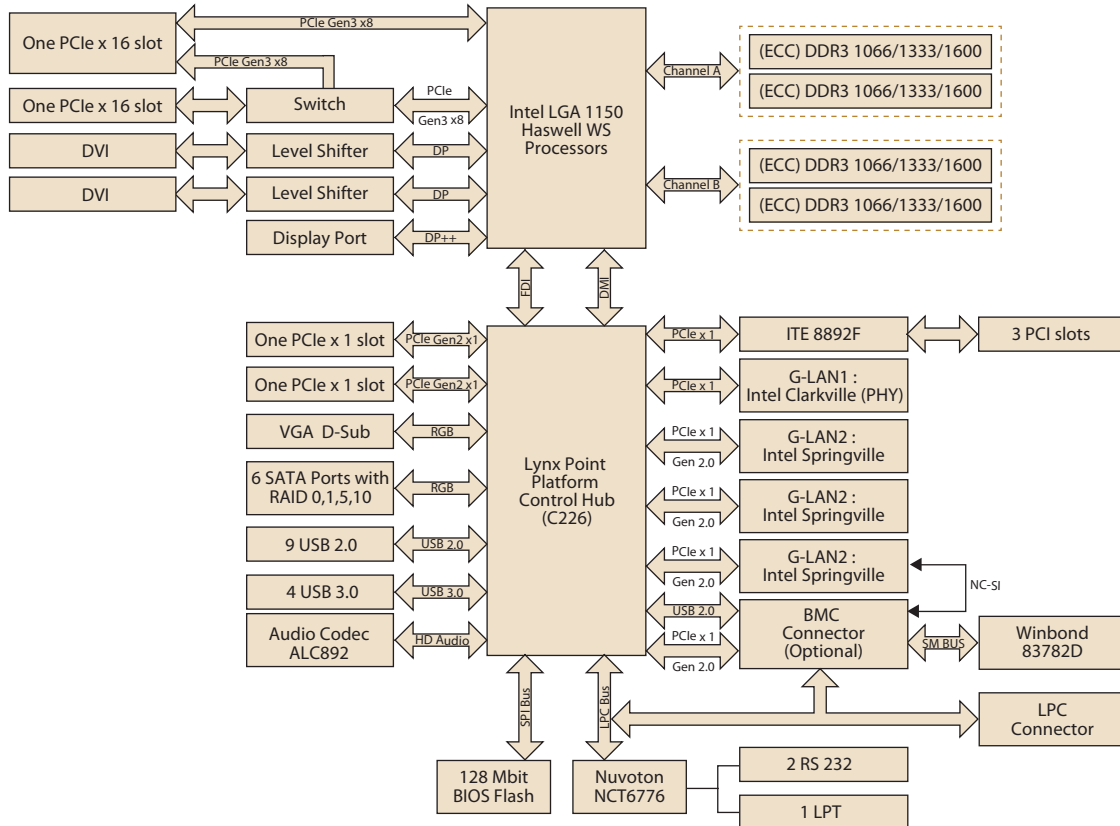
Monitoring



## Specifications

Form Factor		ATX form factor							
Processor System	CPU	Xeon E3 V3							
	Cores	TBD							
	Speed	TBD							
	L3 Cache	TBD							
	Socket	LGA 1150							
	Chipset	Intel C226 chipset							
	BIOS	AMI 128 Mbit SPI (UEFI)							
Memory	Technology	Dual Channel DDR3 ECC/Non-ECC 1066/1333/1600 MHz							
	Max. Capacity	32 GB							
	Socket	4 x 240-pin DIMM							
	Memory size	1 GB, 2 GB, 4 GB, 8 GB							
Expansion Slots	PCI 32-bit/33 MHz	3 slots							
	PCIe x 1 (Gen2) 2.0 GB/s	1 slots							
	PCIe x16 (Gen3) 8 GB/s	2 slots (Auto switch to x8 link if slot 4 is occupied)							
Graphics	Controller	Intel HD Graphics							
	VRAM	1 GB maximum shared memory with 2 GB and above system memory installed							
Storage	IDE controller	-							
	SATA controller	Intel C226: 6 SATA3 6 Gb/s ports with Intel Matrix Storage support (for Windows only)							
	SAS controller	-							
Ethernet	Interface	10/100/1000 Mbps							
	Controller	GbE LAN1: Intel I217-LM; GbE 2-4: Intel I210-AT							
	Connector	RJ-45 x 2 for G2 version; RJ-45 x 4 for G4 version							
Internal Connectors	Printer Port connector	1							
	PSU connector	24-pin SSI power connector + 8-pin SSI 12 V power connector							
	USB connector	2 USB 3.0; 7 USB 2.0 (1 x USB Type-A)							
	Fan header	5 x 4pin							
	SMBus	2							
	Chassis intruder	1							
	Front LAN LED	1							
	Serial port header	2 (RS-232)							
	Audio Connector	1 (ALC 892)							
	PS/2 KB/Mouse	1							
Rear I/O Connectors	External serial port	-							
	External USB port	4 (2 USB 3.0 and 2 USB 2.0)							
	VGA port	1							
	DVI	2							
	Display Port	-							
	RJ-45	2 for G2 version. 4 for G4 version							
	PS/2 KB/mouse	2							
Infiniband	-								
Watchdog Timer	Output	System reset							
	Interval	Programmable 1 ~ 255 sec							
Power Requirement	Power On	3.3 V	5 V	12 V	V12_8P	5 Vsb	-12 V		
		Operating	Non-operating						
		Temperature	0 ~ 60° C (32 ~ 140° F)		-40 ~ 85° C (-40 ~ 185° F)				
		Humidity	0% ~ 90%		5% ~ 95% (Non-condensing)				
		Physical Characteristics	Dimensions	244 x 244 mm (9.6" x 9.6")					

### Block Diagram



### Ordering Information

Part Number	Chipset	LAN	USB 3.0	DVI	DP	SATAIII	IPMI
ASMB-784G2-00A1E	C226	2	4	2	1 (Optional)	6	Optional
ASMB-784G4-00A1E	C226	4	4	2	1 (Optional)	6	Optional

### Packing List

Part Number	Description	Quantity
2066S78400	Driver CD	x 1
2066S78410	Startup manual	x 1
1700003194	SATA data cables	x 2
1703150102	SATA power cables	x 2
TBD	I/O shield	x 1

### Optional Accessories

Part Number	Description
1700002204	Dual port USB 2.0 cable (27 cm) with bracket
1700008461	Four port USB 2.0 cable (30.5 cm) with bracket
1960047669N001	LGA1155/1156 CPU cooler for 4U and wallmount chassis
1960047831N001	LGA1155/1156 CPU cooler for 2U and wallmount chassis
1960052651N001	LGA1155/1156 CPU cooler for 2U and wallmount chassis
1700008809	Printer port cable kit (25 cm)
1700020294-01	Printer port cable kit (42 cm)
1701090401	COM port cable with bracket
1700020277-01	Dual port USB 3.0 cable with bracket
AIMB-AUDIO-HDA1E	HD Audio-Card

### Bracket View