

d¹

design.

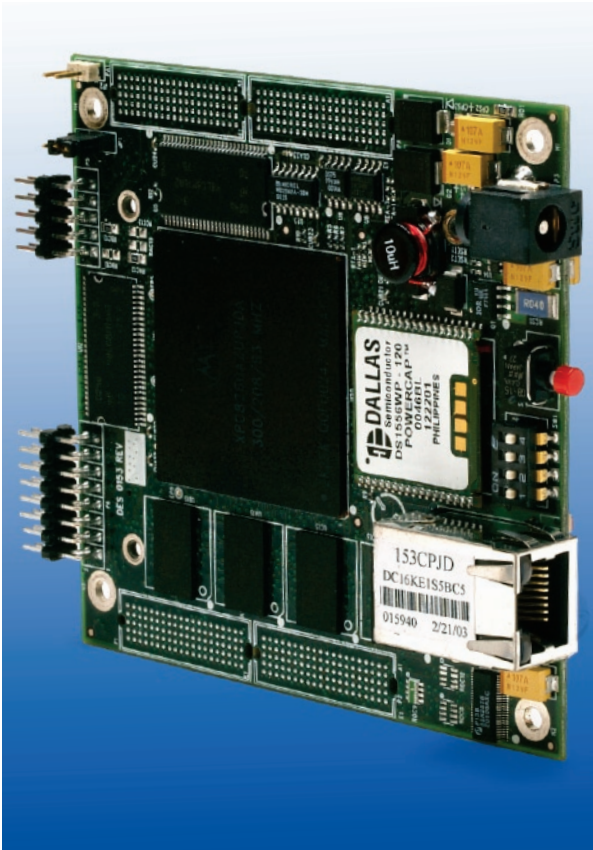
d²

develop.

d³

deploy.

Embedded Planet EP8260



Features:

- Freescale PowerPC PowerQUICC II 8260 and 8255 processors
- EP S Bus for direct access to processor signals
- Main SDRAM 32, 64, 128 or 256MB
- Local SDRAM 16, 32, 64, or 128MB
- Flash 8, 16, or 32MB
- NVRAM 32, 128, 512KB; Real-Time Clock
- 10/100BaseT Ethernet connection
- PCMCIA slot Type: I, II and III
- RS-232 Serial port
- Serial EEPROM I2C
- Serial temperature I2C
- Debug COP and JTAG port
- UTOPIA 8, UTOPIA 16, Fast Ethernet supported simultaneously via EP S bus
- BCSR Control and Status Registers
- Dipswitch 4-position slide switch
- 5V operation (draws 1.5A max)
- PC/104 Mechanical 3.550x3.775" (90x96 mm)
- Operating Range 0° C to 70° C, Extended Temperature Range -40° C to 85° C available

design.

The next generation of connected devices.

develop.

Your products based on our platform.

deploy.

Your solution faster.

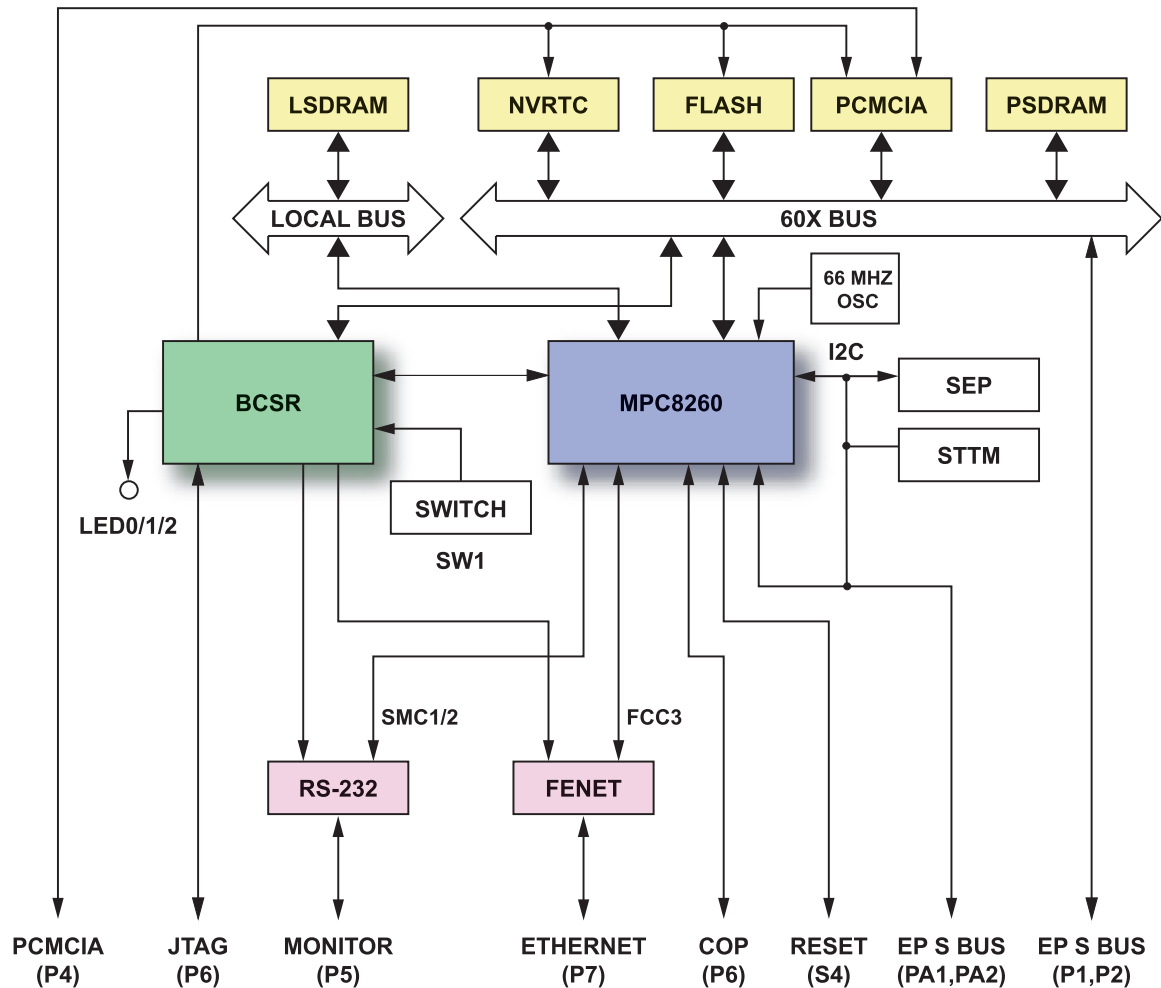
Flexible Single Board Computer

The EP8260 single board computers take advantage of the Freescale MPC82xx PowerQUICC II PowerPC processors. By integrating all of the features of the PowerPC into a production ready embedded development system, the EP8260 reduces Time-To-Market and increases product reliability for Communications, Military/Aerospace, Medical, and Industrial applications. The EP8260 single board computers include the EP S bus that provides direct access to MPC82xx processor signals for additional I/O expansion.

Product Options

Single Board Computer includes a cable kit, power supply, and CD with complete documentation. Board Development Kit includes processor bus breakout debug boards, PDF schematics, and support. Design Kits are available with schematic and firmware source. Embedded Planet provides customization and integration services. Production board population options can be configured to match customer requirements.

Block Diagram



Software Development Tools

Linux and VxWorks BSPs are available from Embedded Planet. The BSP development CDs come complete with documentation, source code, pre-compiled images, build files and tools.

INTEGRITY BSP is available from Green Hills Software. Other RTOS options are also available.

Embedded Planet PlanetCore firmware is provided with each module and includes a Bootloader, Flash Burner, and Diagnostics. Download and run applications via Ethernet or serial, test board hardware, and burn images to Flash.

Complete line of low level and application level TCP/IP stack and protocols code is available.

This material is the copyright of Embedded Planet 1997-2004. Embedded Planet is a registered Trademark. Other company and product names may be trademarks of their respective owners.

Contact Embedded Planet sales:
www.embeddedplanet.com or
 email info@embeddedplanet.com
 phone (216) 245-4180