

d¹

design.

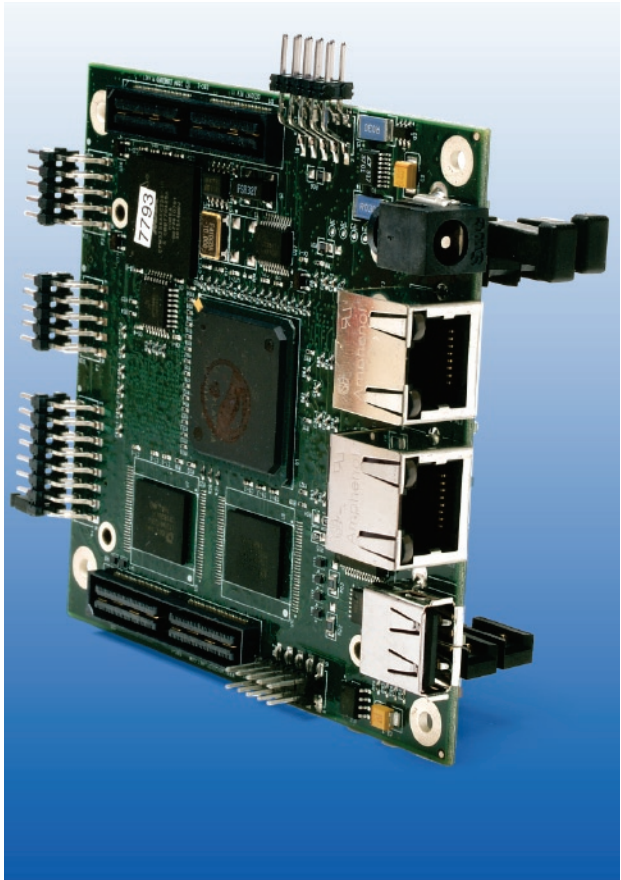
d²

develop.

d³

deploy.

Embedded Planet EP88xC



Features:

- Freescale PowerPC PowerQUICC 880 and 885 processors
- EPX Bus for direct access to processor signals
- SDRAM 16, 32, 64 or 128MB
- Flash 8, 16, 32 or 64MB
- NVRAM 128, 256, or 512KB; Real-Time Clock
- Two 10/100BaseT Ethernet connections
- Two PCMCIA slots Type: I, II and III
- Two RS-232 Serial ports
- USB Host/Device port
- Serial EEPROM I2C
- Serial temperature I2C
- Debug and JTAG port
- BCSR Control and Status Registers
- Dipswitch 4-position slide switch
- 5.25 to 3V operation (draws 1.5A max)
- PC/104 Mechanical 3.550x3.775" (90x96 mm)
- Operating Range 0° C to 70° C, Extended Temperature Range -40° C to 85° C available

design.

The next generation of connected devices.

develop.

Your products based on our platform.

deploy.

Your solution faster.

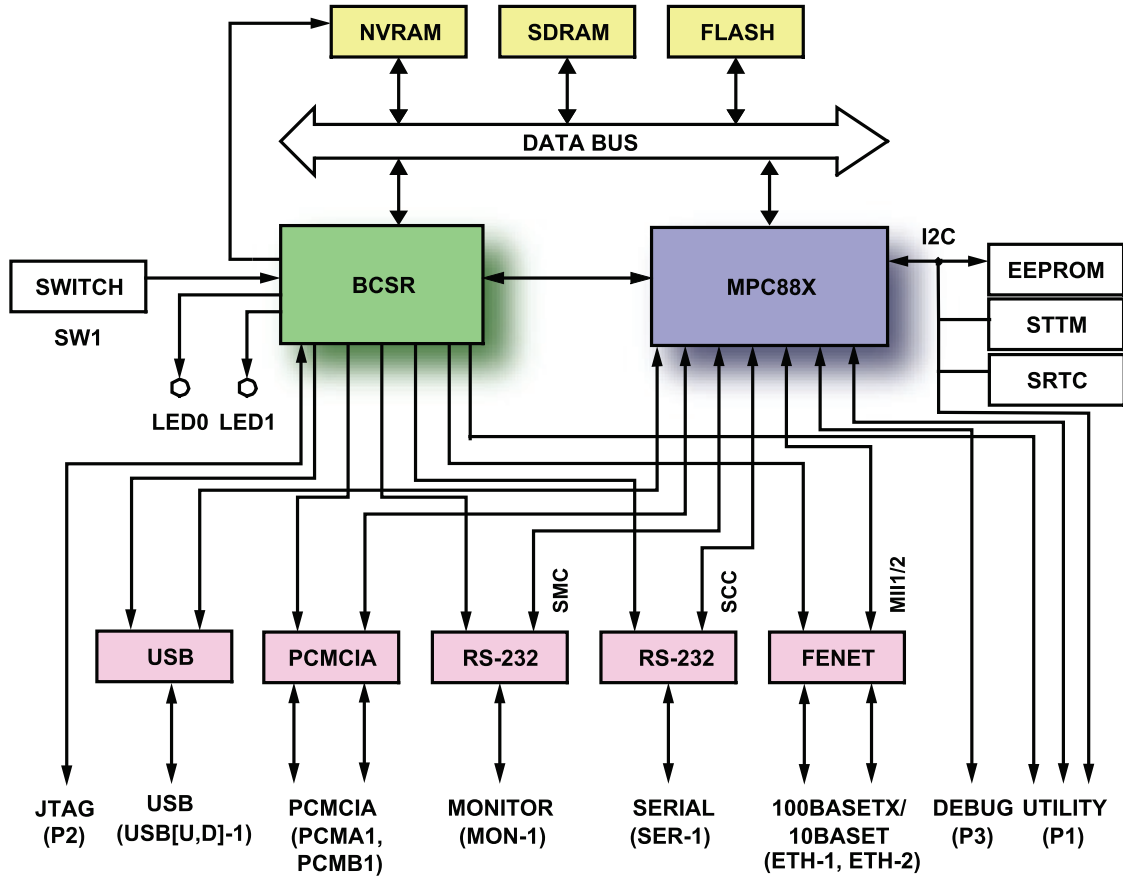
Flexible Single Board Computer

The EP88xC single board computers take advantage of the Freescale MPC880 and 885 PowerQUICC PowerPC processors. By integrating all of the features of the PowerPC into a production ready embedded development system, the EP88xC reduces Time-To-Market and increases product reliability for Communications, Military/Aerospace, Medical, and Industrial applications. The EP88xC single board computers include the EPX bus that provides direct access to MPC88x processor signals for additional I/O expansion.

Product Options

Single Board Computer includes a cable kit, power supply, and CD with complete documentation. Board Development Kit includes processor bus breakout debug boards, PDF schematics, and support. Design Kits are available with schematic and firmware source. Embedded Planet provides customization and integration services. Production board population options can be configured to match customer requirements.

Block Diagram



Software Development Tools

Linux and VxWorks BSPs are available from Embedded Planet. The BSP development CDs come complete with documentation, source code, pre-compiled images, build files and tools.

INTEGRITY BSP is available from Green Hills Software. Other RTOS options are also available.

Embedded Planet PlanetCore firmware is provided with each module and includes a Bootloader, Flash Burner, and Diagnostics. Download and run applications via Ethernet or serial, test board hardware, and burn images to Flash.

Complete line of low level and application level TCP/IP stack and protocols code is available.

This material is the copyright of Embedded Planet 1997-2004. Embedded Planet is a registered Trademark. Other company and product names may be trademarks of their respective owners.

Contact Embedded Planet sales:
www.embeddedplanet.com or
 email info@embeddedplanet.com
 phone (216) 245-4180