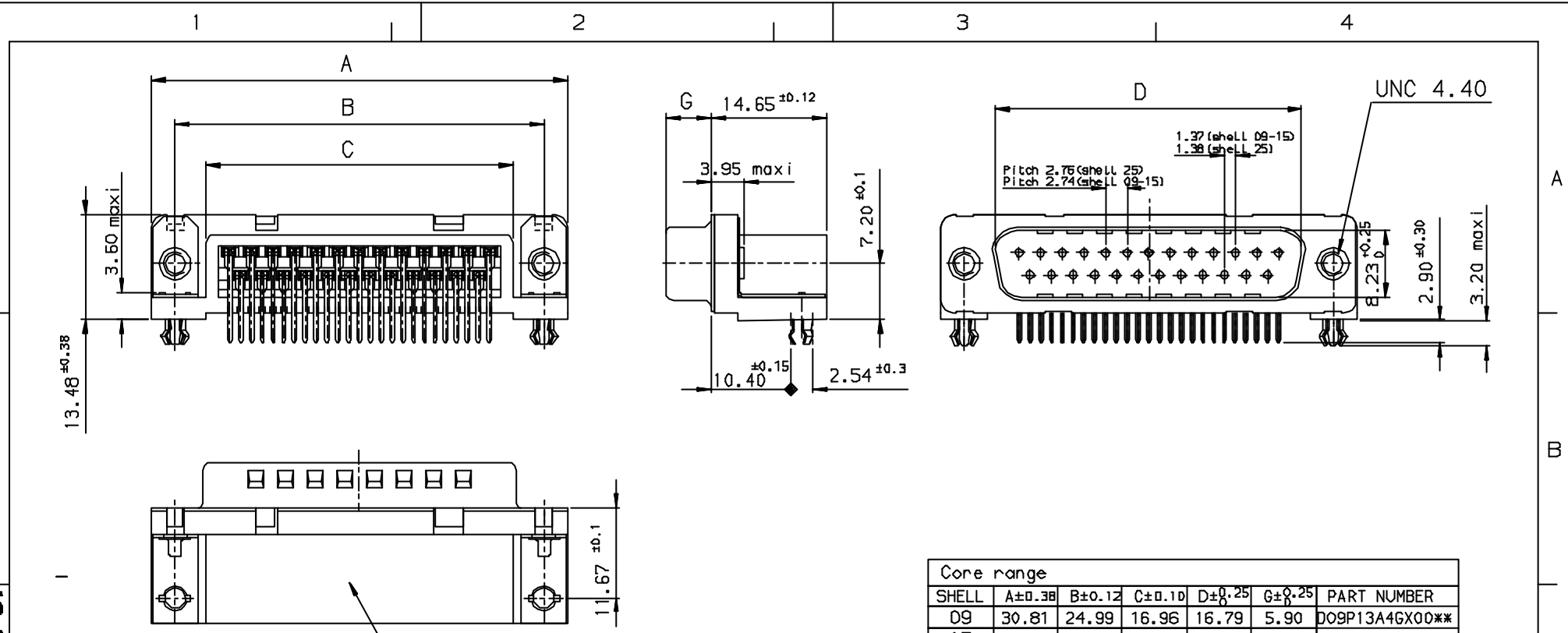


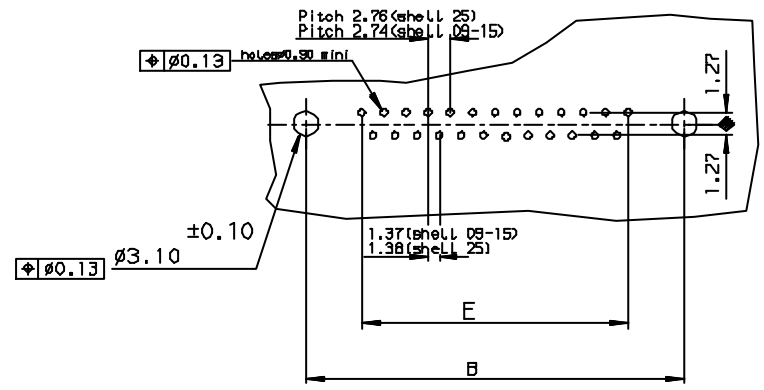
Tous droits strictement réservés. Reproduction ou communication sans titre
 interdite sans autorisation écrite de
 Propriété de FCI. Droits de reproduction FCI.

FCI

All rights strictly reserved. Reproduction or communication in any
 form without the written authority from the proprietor.
 Property of FCI. Copyright FCI.



PC card drilling dimensions (after plating)
 [thickness 1.60 ± 0.20mm]



Core range						
SHELL	A ± 0.38	B ± 0.12	C ± 0.10	D ± 0.25	G ± 0.25	PART NUMBER
09	30.81	24.99	16.96	16.79	5.90	D09P13A4GX00**
15	39.14	33.32	25.18	25.12	5.90	D15P13A4GX00**
25	53.03	47.04	39.12	38.84	5.70	D25P13A4GX00**

GENERAL CHARACTERISTICS - SEE DRAWING C01-8646-0000

LF FOR LEAD FREE

Utr	Eon no	Dr	date
J	105-0124	J1	27/7/05

Dr JOHN SLEEBA		1/8/94	Product Family	D-5UB	Tolerance ✓ LINEAR ± 0.1 ANGULAR ± 1°	Projection ⊕	MM
Eng GEORGE VJ		1/8/94	Spec ref		Size	A3	Scale
Chr GEORGE VJ		27/7/05	Material		ECN		
Appr K Somasundaram		27/7/05					
FCI		Title	MALE CONNECT. DELTA D RIGHT ANGLED WITH NUT, HARPOON & METAL PLATE.		Dwg no	C01-8646-02B1	
Catalog no		DELTA-D		CUSTOMER COPY		Sheet 1 of 1	

INDEX	DATE	REVISION DESCRIPTION
J	27/7/05	LEAD FREE DETAILS ADDED