

## Indoor POE Series

## 1 Amp POE Injector Power Supply



### PRODUCT DESCRIPTION

The Indoor POE Series are Power-over-Ethernet (PoE) power supplies with integral DC Injector. They provide 1 Amp of 48V or 55V DC power for 10/100 Base-T transformers for connection to an IEEE 802.3 (10/100 Base-T) compatible device. An output RJ45 connector provides the 10/100 Base-T data and 55V or other voltages for connection to the wireless modem. These supplies feature an impact resistant polycarbonate enclosure with a 3-prong IEC-320 C14 inlet.

- 1 Amp of 48 or 55 VDC Power
- Universal AC Input
- Option for easy installation on wall
- Compact size – 160 x 63 x 32 mm
- High efficiency – free convection cooling
- Full output protection OCP, SC, OVP
- Meets FCC 15 & EN55022 class B requirements
- Operating temperature range -5°C to +45° C with no derating
- CE, UL & CSA ,CCC approved

### INPUT

AC Input Voltage	90-264VAC, 47-63Hz
Inrush Current	<50A @ 250 VAC (Cold Start)
Input Connector	IEC-320 C14 (3-Prong)
Hold-up Time	> 10msec (Full Load & 100 VAC)
Efficiency	85% Minimum

### OUTPUT

Regulation	± 2% max Line & Load
Over-Voltage Protection	110-125% (recycle AC to reset)
Ripple @ Noise (V1)	1% pk-pk max (20MHz)
Over Current Protection	115-150% (auto-recovery)
Short Circuit Protection	Continuous

### ENVIRONMENTAL

Operation Temperature	-5 ~ +45C Full Load
Storage Temperature	-40 ~ +85C
Cooling	Convection
Humidity	<95% Non-Condensing

### ELECTROMAGNETIC COMPATIBILITY

Electrostatic Discharge	EN61000-4-2, ±4KV Contact / ±8KV Air
Radiated Susceptibility	EN61000-4-3, 26-1000MHz, 10V/M, 80% AM
EFT / Bursts	EN61000-4-4, ±2KV
Surges	EN61000-4-5, ±2KV Line-Earth, ±1KV Line-Line
Conducted Immunity	EN61000-4-6, 0.15-800MHz, 10V, 80% AM
Voltage Dips	EN61000-4-11, 95% Dip & 10ms, 30% Dip & 500ms
Voltage Interruptions	EN61000-4-11, 95% Reduction, 5s
Fluctuations & Flicker	EN61000-3-3
Harmonics	EN61000-3-2 Level A

### SAFETY & EMISSIONS

Safety Approvals	UL/cUL 60950-1, EN60950-1, CE Mark (LVD) AS/NZS 3260
EN55022	Class B Rated
ETSI	EN 301 489-1, V1.4.1 (2002-08) EN301489-4 V1.3.1 (2002-08) EN301-489-17 V1.2.1 (2008-08)

# Indoor POE Series

## 1 Amp POE Injector Power Supply

### Power Modules

Model	Input	Output Power	Output Voltage	Output Current
0334B4848	90-264VAC	48 Watts	48V	1.00A
0334B5555	90-264VAC	55 Watts	55v	1.00A

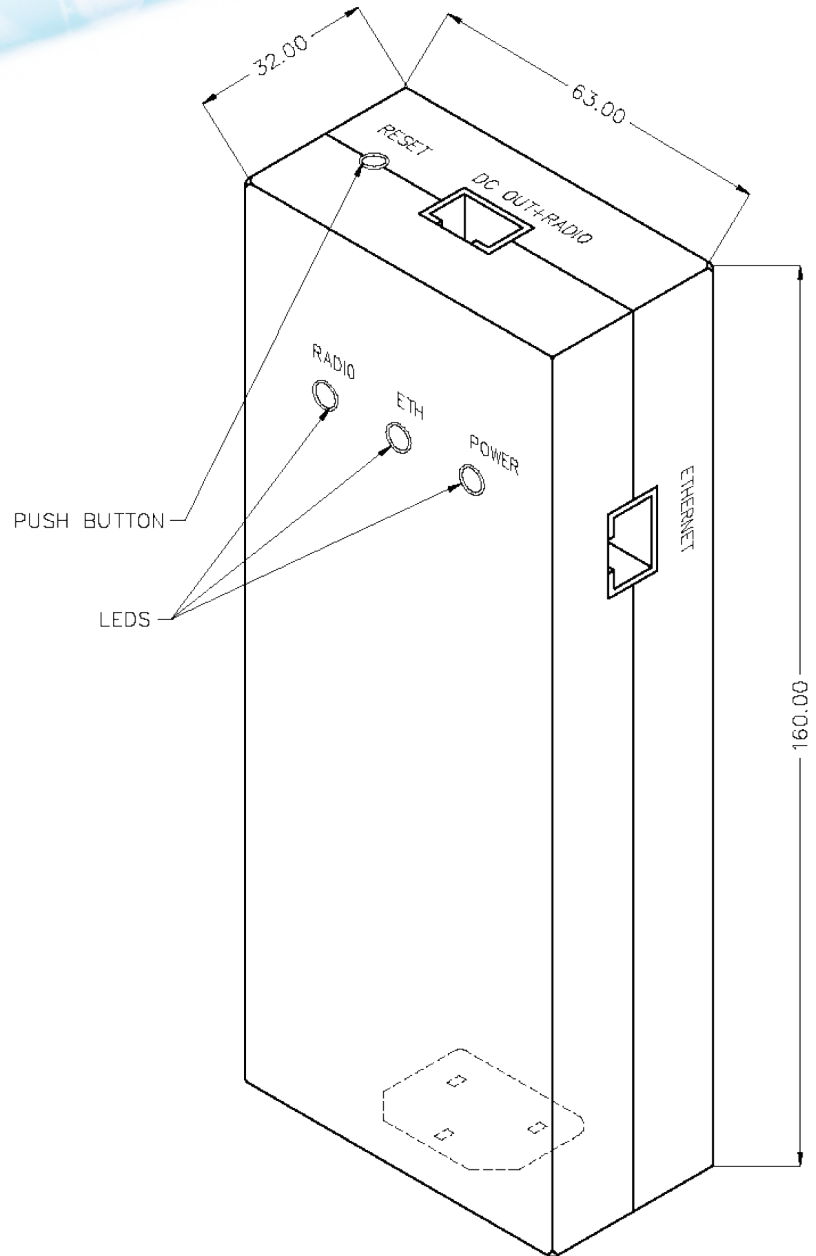
### Outputs Connection

#### RADIO-RJ-45

Pin 1, Data  
Pin 2, Data  
Pin 3, Data  
Pin 4, +48V  
Pin 5, +48V  
Pin 6, Data  
Pin 7, -48V  
Pin 8, -48V

#### Ethernet RJ-45

Pin 1, Data  
Pin 2, Data  
Pin 3, Data  
Pin 4, N.C  
Pin 5, N.C  
Pin 6, Data  
Pin 7, N.C  
Pin 8, N.C



Revision A: 01/29/09 All specifications subject to change. Please consult Digital Power for latest specifications.