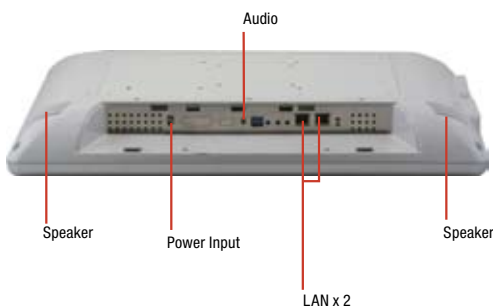


# ACD-515R

15.6" WXGA Infotainment Touch Display With Remote Display Technology



## Features

- 15.6" WXGA (1366 x 768) Fanless TFT LCD Display
- Supports Remote Display Technology
- Easy-To-Clean: Multi-Touch Window Design (Two-Point)
- IP-65 Front Bezel & IPx1 Back Chassis
- Anti-Scratch Surface (7H Hardness)



## Specifications

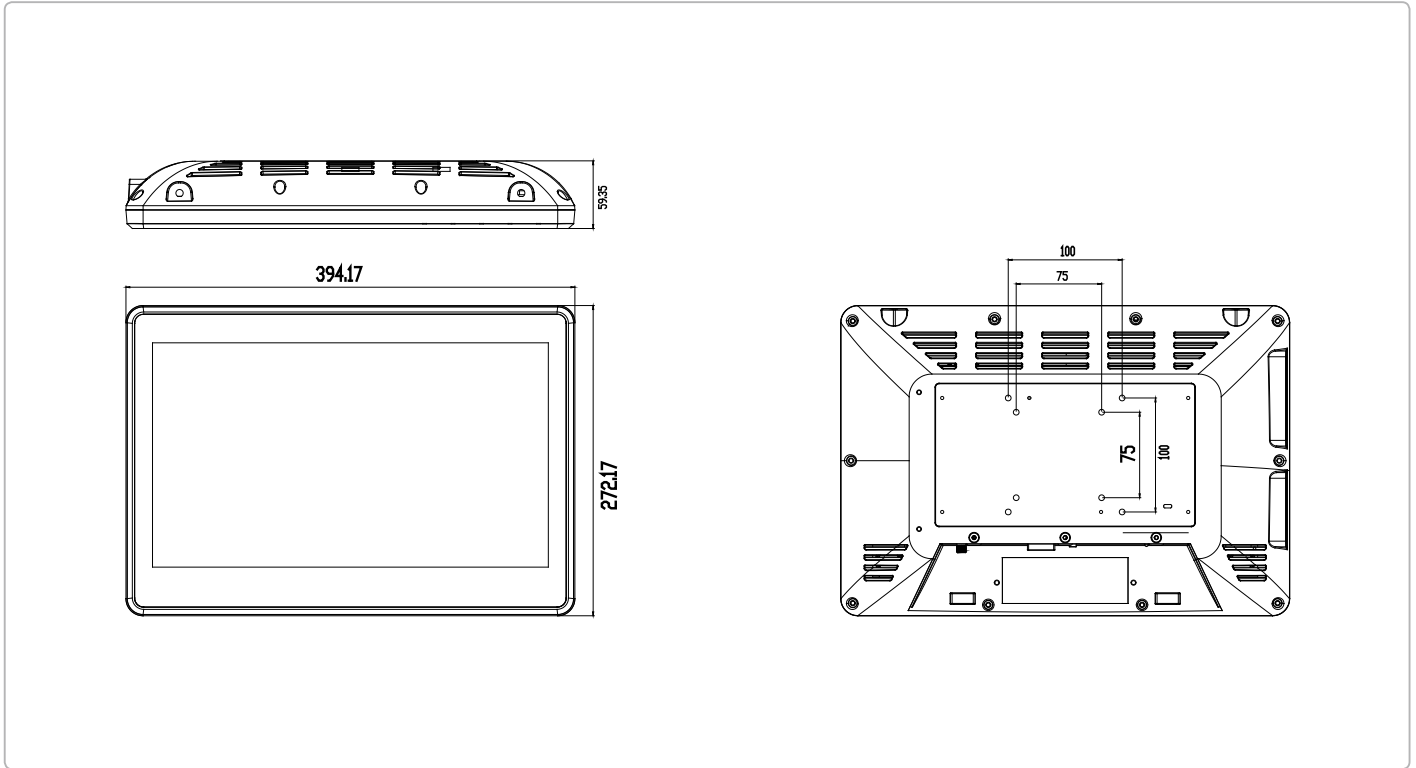
System	
Input Signal	RJ-45 (VGA/ DVI Signal)
On Screen Display Control	Menu, Auto, LCD On/Off, Up, Down
I/O connector	ACD-515RHT-A1: Line-out x 1, DIP Switch x 1, Speaker x 2, LAN x 2, Power Switch x 1 ACD-515RHT-A2: USB x 3 (2 on side, 1 on rear), Line-out x 1, DIP switch x 1, Speaker x 2, LAN x 1, Power Switch x 1
OS support	Windows® XP (T/S: Single point), Linux Fedora (T/S: Multi-point), Windows® 7 (T/S: Multi-point)
Mechanical	
Construction	IP-65/ NEMA4 for plastic front bezel, IPx1 for plastic chassis
Mounting	VESA 75/100
Dimension	15.51" x 10.71" x 2.34" (394mm x 272mm x 59.35mm)
Carton Dimension	20.47" x 18.5" x 9.06" (520mm x 470mm x 230mm)
Gross Weight	12.98 lb (5.9 kg)
Net Weight	9.24 lb (4.2 kg)
Environmental	
Operating Temperature	32°F ~ 104°F (0°C ~ 40°C)
Storage Temperature	-4°F ~ 140°F (-20°C ~ 60°C)
Storage Humidity	10%~95% @ 40°C; non-condensing
Vibration	1 g rms/ 5~500Hz /Random operation
Shock	15 G peak acceleration (11 msec. Duration)
EMC	CE/FCC Class A
Power Supply	
DC input	DC 12V, w/ AC power adapter w/ lock
LCD	
Display type	15.6" TFT-LCD, LED
Max Resolution	1366x768
Max. Colors	16.7M colors (6/8-bit for R,G,B)
Luminance	300 cd/m <sup>2</sup>
Viewing Angle	170°(H)/160°(V)
Back Light	LED
Back Light MTBF (hours)	50,000
Touchscreen	
Type	Projected Capacitive Multi-Touch (Window® 7)
Light Transmission	90%

Note: Users have to select ACG-203 to work with the ACD-515R.

# ACD-515R

## Dimension

Unit: mm



## Ordering Information

Part Number	Display Type	Max Resolution	Luminance	View Angle	Backlight MTBF (Hours)	CPU	LAN	USB	RS-232	RS-485/422/232	Storage	RAM	Display	Expansion	Mounting	Power	Temp.	Touch	Note
TF-ACD-515RHT-A1-1011	15.6" TFT-LCD	1366 x 768	300 cd/m <sup>2</sup>	170(H), 160(V)	50,000	-	2	-	-	-	-	-	-	-	VESA 75/100	DC 12 V	0°C-40°C (w/o air)	Without Touch	Connect Multiple Displays
TF-ACD-515RHTT-A2-1011	15.6" TFT-LCD	1366 x 768	300 cd/m <sup>2</sup>	170(H), 160(V)	50,000	-	1	3	-	-	-	-	-	-	VESA 75/100	DC 12 V	0°C-40°C (w/o air)	Multi-Touch (Two-points)	Connect One Display Only

## Packing List

- Power Adapter
- CD-ROM for Manual (in PDF Format) and Drivers
- ACD-515R

## Optional Accessories

- **1757306007**  
Power Adapter 12V DC in 60W with Lock
- **1702031802**  
Power Cord (US Type)
- **1702031803**  
Power Cord (European Type)
- **170203180E**  
Power Cord (Japanese Type)
- **P005152010**  
Plastic Cover for Cables