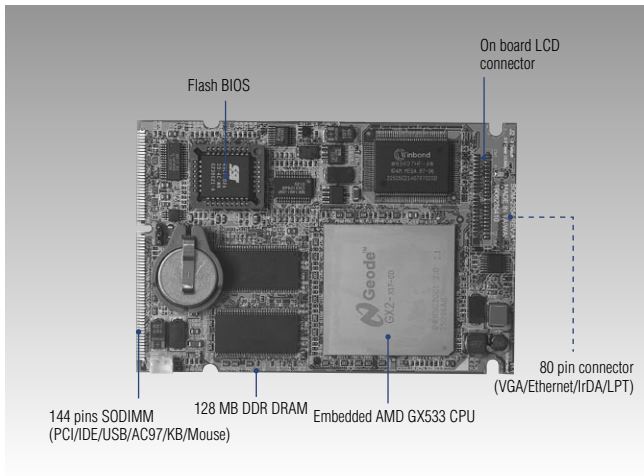


SOM-2354

SOM-144 Module w/CPU VGA/LCD, & LAN



Specifications

- **CPU** Onboard AMD™ Geode™ GX533-400 MHz processor
- **System Memory** 128 MB DDR DRAM on board
- **Chipset** AMD CS 5535
- **BIOS** Insyde 256 KB Flash BIOS
- **Expansion Interface** 144-pin SODIMM socket provides PCI
- **Battery** Lithium 3 V/196 mAH

I/O

- **MIO** 1 x EIDE (Ultra DMA33), 1 x FDD/LPT, 1 x K/B, 1 x Mouse, 2 x RS-232
- **IrDA** 115 kbps, IrDA 1.0 compliant
- **Audio** AC'97 2.0 compliant
- **USB** 2 USB ports, USB 1.1 compliant

Ethernet

- **Chipset** Intel 82551ER
- **Ethernet Interface** IEEE 802.3u 100Base-T Fast Ethernet

Features

- Embedded AMD Geode processor
- 18-bit LCD interface (SOM-2354P-JEA1)
- AC'97 V 2.0 Audio
- 128 MB DDR DRAM on board

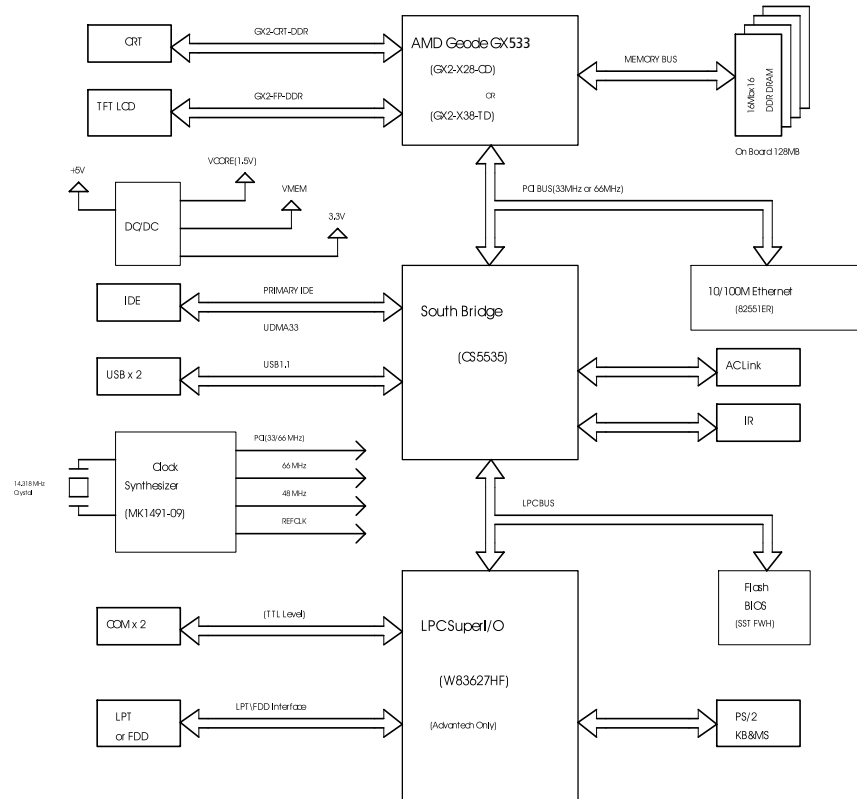
Display

- **Chipset** AMD Geode GX533
- **Memory Size** 1- 16 MB UMA share memory
- **Resolution** CRT Mode: 1024 x 768 @ 24 bpp (60 Hz)
LCD/Simultaneous Mode: 1024 x 768 @ 16 bpp (60 Hz)
- **LCD Interface** 18-bit TFT panels up to XGA resolution (for SOM-2354P-JEA1)

Mechanical and Environmental

- **Dimensions (L x W)** 68 x 100 mm (3.4" x 3.9")
- **Power Supply Voltage** +5V ±5%
- **Power Requirements** Max. : 5 V @ 1.4 A
Typical : 5 V @ 1 A
- **Operating Temperature** 0 ~ 60° C (32 ~ 140° F), fanless operation
- **Operating Humidity** 0 ~ 90% relative humidity, noncondensing

Board Diagram



Ordering Information

- **SOM-2354V-JEA1** SOM-144 w/GX533-400 MHz/128 MB/VGA/LAN
- **SOM-2354P-JEA1** SOM-144 w/GX533-400 MHz/128 MB/LCD
- **SOM-DB2300** SOM-144 Development Board