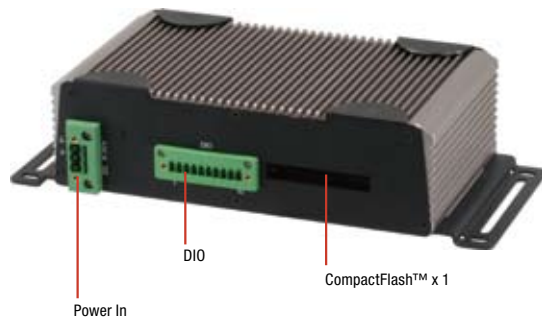
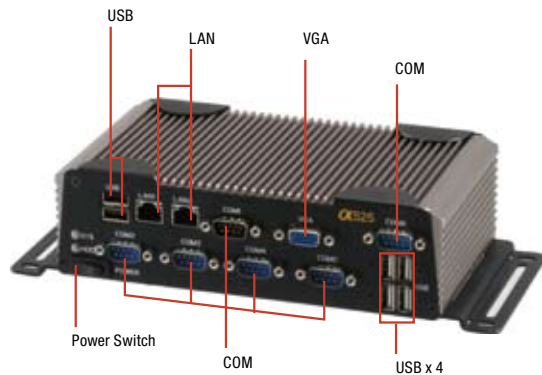


AEC-6612 Rev. B

Fanless Controller With Intel® Atom™ D525 Processor



Features

- Intel® Atom™ D525 Processor
- Intel® ICH8M Chipset
- Up to COM x 6, USB x 6
- Wide DC power Input
- Fanless Operating System
- Gigabit Ethernet x 2
- Optional Dual VGA
- Optional DVI-D



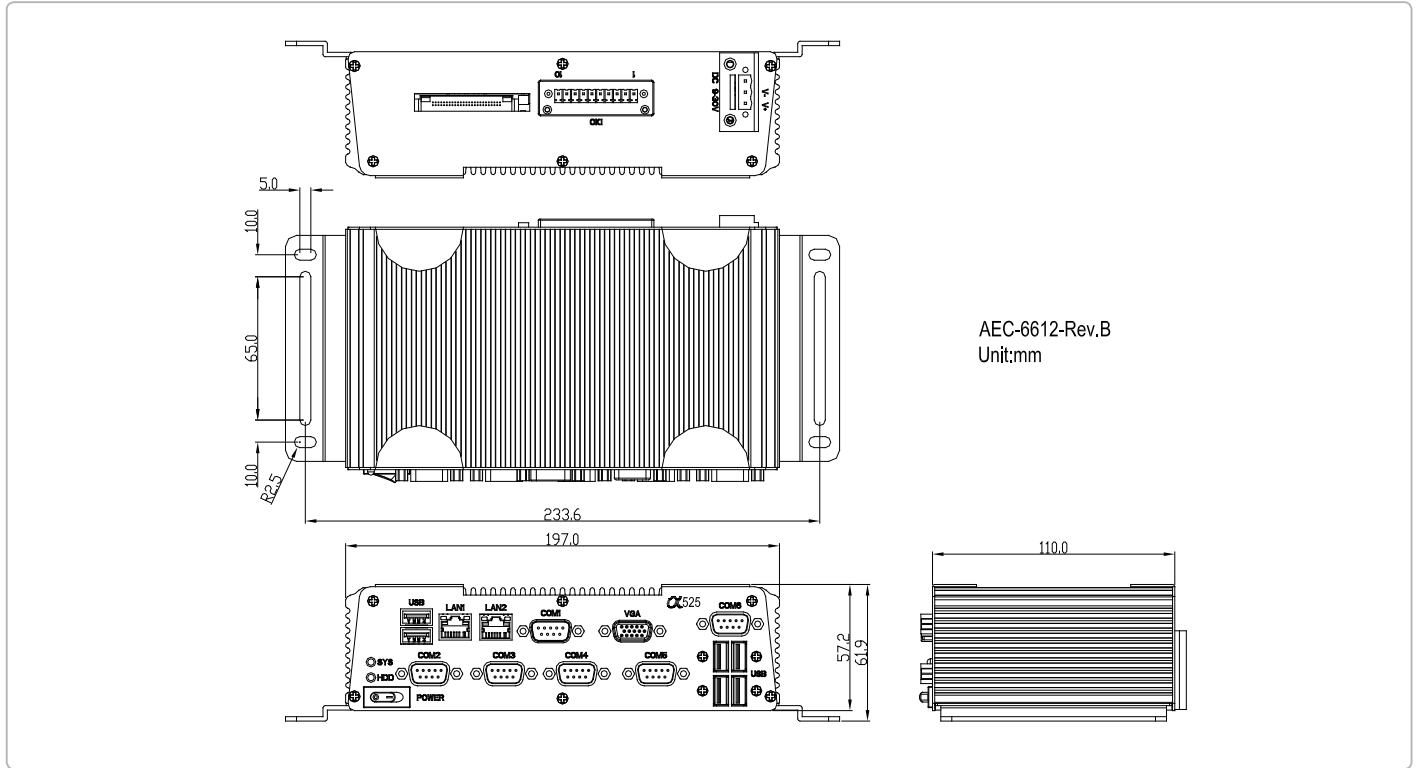
Specifications

CPU	Intel® Atom™ D525 1.8GHz	
Chipset	Intel® ICH8M	
System Memory	204-pin DDR3 SODIMM 667/800 MHz x 1, Max 4G	
Display Interface	VGA	DB-15 x 1 (optional 2nd VGA)
	DVI	DVI-D x 1 (optional extension kit)
	Others	—
Storage Device	SSD	Compact Flash™ Slot x 1
	HDD	2.5" SATA HDD drive bay x 1
Network	LAN	Gigabit Ethernet, RJ-45 x 2
	Wireless	Optional WiFi kit (802.11b/g/n)
Front I/O	USB Port	—
	LAN	—
	Serial Port	—
	DIO	4 DI + 4 DO
	Audio	—
	KB/MS	—
	Others	Power input x 1 CompactFlash™ slot x 1
Rear I/O	USB Port	USB 2.0 x 2 (TF-AEC-6612-B1/B1M-1010) USB 2.0 x 6 (TF-AEC-6612-B2/B2M-1010)
	LAN	Gigabit Ethernet, RJ-45 x 2
	Serial Port	RS-232 x 1, RS-232/422/485 x 1 (TF-AEC-6612-B1/B1M-1010) RS-232 x 5, RS-232/422/485 x 1 (TF-AEC-6612-B2/B2M-1010)
	DIO	—
	Audio	—
	KB/MS	—
	Others	Power Switch x 1 SYS LED x 1 HDD LED x 1 VGA x 1
Expansion	PCIe [x1]	—
	PCI	—
	Mini Card	1
	Mini PCI	—
	Others	—
Indicator	Front	—
	Rear	Power LED x 1, Hard Disk Drive LED x 1
Power Requirement	DC-in 12V/DC-in 9 ~ 30V	
Power Consumption	Intel® Atom™ D525 1.8GHz, 1.7A@12V	
System Cooling	Passive	
Mounting	Wallmount	
Operating Temperature	Ambient with Airflow: -4°F ~ 140°F (-20°C ~ 60°C) - CFD -4°F ~ 140°F (-20°C ~ 60°C) - HDD	No Airflow: -4°F ~ 122°F (-20°C ~ 50°C) - CFD -4°F ~ 131°F (-20°C ~ 55°C) - HDD
	Storage Temperature	-20°C ~ 70°C (-4°F ~ 158°F)

AEC-6612 Rev. B

Dimension

Unit: mm



Anti-Vibration	5g RMS / 5 ~ 500Hz / operation – CFD 1g RMS / 5 ~ 500Hz / operation – HDD
Anti-Shock	50G peak acceleration (11 msec. duration) – CFD 20G peak acceleration (11 msec. duration) – HDD
MTBF	50,000
Certification	EMC CE /FCC Class A
	Safety —
Dimension (W x H x D)	7.76" (W) x 2.26" (H) x 4.34" (D) (197mm x 57.2mm x 110mm)
Gross Weight	4.85 lb (2.2 Kg)
Note	—

Ordering Information

- **TF-AEC-6612-B1-1010**
Embedded Controller, Intel® Atom™ D525, 2COM, 2USB, 1DIO, DC12V
- **TF-AEC-6612-B1M-1010**
Embedded Controller, Intel® Atom™ D525, 2COM, 2USB, 1DIO, DC9~30V
- **TF-AEC-6612-B2-1010**
Embedded Controller, Intel® Atom™ D525, 6COM, 6USB, 1DIO, DC12V
- **TF-AEC-6612-B2M-1010**
Embedded Controller, Intel® Atom™ D525, 6COM, 6USB, 1DIO, DC9~30V

Optional Accessories

- **1757306004**
Power Adapter (60W), Output: DC 12V - for AEC-6612-B1/B2
- **1757904002**
Power Adapter (40W), Output: DC 12V - for AEC-6612-B1M/B2M
- **1702031802**
Power Cord (US Type)
- **1702031803**
Power Cord (European Type)
- **170203180E**
Power Cord (Japanese Type)
- **9741662505**
VESA Mount Kit
- **9741681003**
DIN Rail Mount Kit