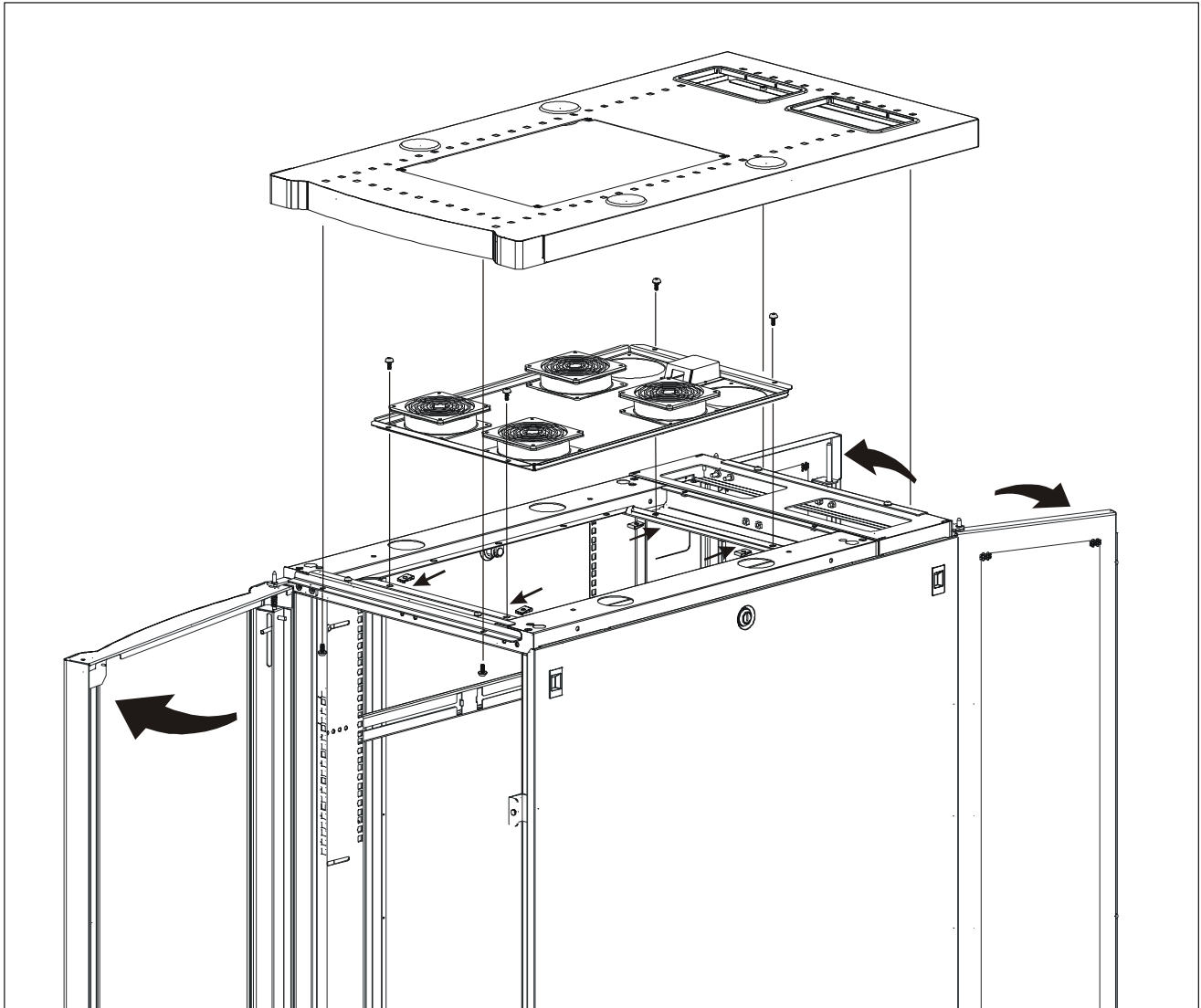


# APC NetShelter®

## Roof Fan Tray for NetShelter Enclosures AR8210, AR8210BLK, AR8211, AR8211BLK



## Models

The NetShelter Roof Fan Tray is available in the following models:

- AR8210 NetShelter Roof Fan Tray — 120 VAC
- AR8211 NetShelter Roof Fan Tray — 230 VAC, 208 VAC
- AR8210BLK NetShelter Roof Fan Tray — 120 VAC Black
- AR8211BLK NetShelter Roof Fan Tray — 230 VAC, 208 VAC Black



The Roof Fan Tray is for use with APC NetShelter enclosures only.



Install the Roof Fan Tray only on a circuit that has an appliance protector.

## Electrical Ratings

<b>AR8210, AR8210BLK</b>					
<b>Input Voltage</b>	<b>Frequency</b>	<b>Current</b>	<b>Noise</b>	<b>Airflow*</b>	<b>Operating Voltage Range</b>
120VAC	50 Hz	0.70 A	54 dBA	440 cfm	102 – 138 VAC
	60 Hz	0.60 A	54 dBA	440 cfm	102 – 138 VAC
<b>AR8211, AR8211BLK</b>					
230 VAC	50 Hz	0.44 A	65 dBA	440 cfm	196 – 264 VAC
	60 Hz	0.44 A	65 dBA	440 cfm	196 – 264 VAC
208 VAC	50 Hz	0.50 A	65 dBA	398 cfm	196 – 264 VAC
	60 Hz	0.42 A	65 dBA	398 cfm	196 – 264 VAC

\*Airflow given at nominal input voltage.