

Speedlock®

Steel Box Connectors

Type AMC

Use:

To ground and secure MC, AC, and Flexible Metal Conduit to boxes and enclosures.

Features:

- No locknut required.
- Single-unit or duplex construction with captive clamp.
- Connects over 100 sizes of MC, AC and Flexible Metal Conduit with just four fittings.
- Easy to install. Just tilt, insert and snap down.
- Single-unit construction eliminates loose component parts.
- Integral red plastic insulated throat bushing provides maximum protection for wire insulation.

Materials/Finish:

Steel/Zinc Electroplated

Third Party Certification:



UL Listed: E-11852
For Steel Box Installations

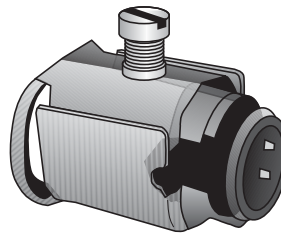


CSA Certified: 28507

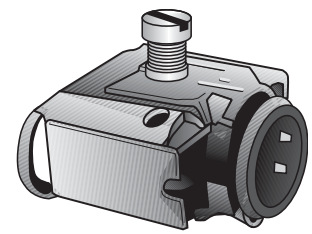
Applicable Third Party Standards:

UL Standard: 514B
CSA Standard: C22.2 No. 18
Fed. Spec: W-F-406E

Exceeds UL specifications for electrical continuity and is suitable as a grounding means under NEC 250-118 and for hazardous locations under NEC 501-4(b), for Class 1, Div. 2 areas.

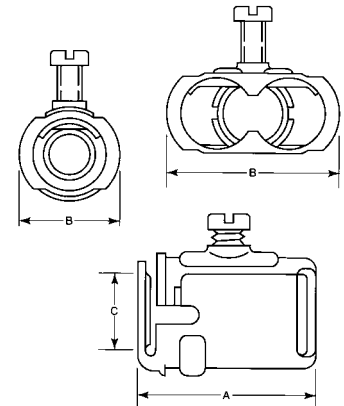


AMC-50



AMC-52

Trade Size (inches)	Catalog Number	Dimensions in Inches		
		A	B	C
1/2 Single	AMC-50	1 3/8	1	13/32
3/4 Single	AMC-75	1 5/8	1 5/16	9/16
1/2 KO; 3/4 capacity	AMC-5075	1 5/8	1 5/16	9/16
1/2 Duplex	AMC-52	1 9/16	1 23/32	9/16



Cable Type	AMC SELECTION CHART							
	AMC-50 1/2" KO		AMC-5075 1/2" KO 3/4" Capacity		AMC-75 3/4" KO		AMC-52** 1/2" KO Duplex	
AC Steel	14/2 12/2 10/2	14/3 12/3 10/3	14/4 12/4	10/4 8/3 6/3	10/5 8/4	10/4 8/3 6/3	10/5 8/4 6/3	14/2 12/2 12/3 12/4
HFC Steel Health Care Facilities	14/2 12/2	14/3 12/3 10/2						14/2 12/2 14/3 12/3
AC Aluminum Interlocked	14/2 12/2	14/3 12/3	14/4 12/4	10/4 8/3	8/4	10/4 8/3	8/4	14/2 12/2 14/3 12/3 14/4 12/4
MC Steel	*14/2 *12/2	*14/3 *12/3 *10/2	*14/4 *12/4	*10/3 *8/2	*10/4 *8/3 *6/2	*10/3 *8/2	*10/4 *8/3 *6/2	14/2 12/2 14/3 12/3 14/4 12/4†
MC Aluminum Interlocked	14/2 12/2	14/3 12/3 10/2	14/4 12/4	10/3 8/2	10/4	10/3 8/2	10/4	14/2 12/2 14/3 12/3 14/4 12/4
MC Aluminum		14/3 *12/2 10/2	14/4 *12/3 12/4 10/3					
MC Aluminum Flat		12/3						
Flexible Metal Conduit (Standard and Reduced Wall)		3/8 Steel & Alum		1/2 Steel		1/2 Steel		

*Concrete tight when taped and used with PVC jacketed cable.

**Accepts 2 cables of each size listed.

†Accommodates without UL listing.