



TC-3U46

ATX Switching Power Supply



Features

- Power range auto select
- Over Power Protection
- Over Voltage Protection
- Short Circuits Protection
- 16ms Hold Up Time
- Passive PFC for cost effective performance
- Nickel Plated enclosure to provide Corrosion Resistance



Introduction

Introduce the industrial graded TC-3U46 power supply. Design to fit perfectly into your 3U rackmount chassis. Triple circuits protections and PFC to provide best performance and protection. TC-3U46 combined reliability and performance for your 3U chassis.

Electrical Specifications

Specification

Model	TC-3U46
Form Factor	EPS 12V
Unit Size	3U
Input Voltage	90~132V/ 180~264V
Input Frequency	47Hz~63Hz

Output Rating

Total Watts	460 watts
+5V	40A
+12V	20A
+3.3V	20A
+5V & +3.3V	200 watts
+5V & +3.3V & +12V	460 watts
Voltage Regulation	±5%
PFC	Passive
Efficiency	≥68%

Connectors

Cable Length	21 in
Main connector	24 Pins
8 pin connector	1
4 pin Peripheral	7
4 pin Floppy	1

Dimension

DxWxH(mm)	180x117x86
Net Weight	4.3 lb
Safety/EMI/RFI	FCC EN55022
	CISPR 22
	UL 60950
	CAN/CSA 22.2
	TUV (IEC 60950)
	EN-61000-3-2

- Operation Temperature: 0°C to 50°C
- Humidity: 5 to 90% non-condensing.
- Specification and wiring diagram subject to change without notice.

TC-3U46

ATX Switching Power Supply

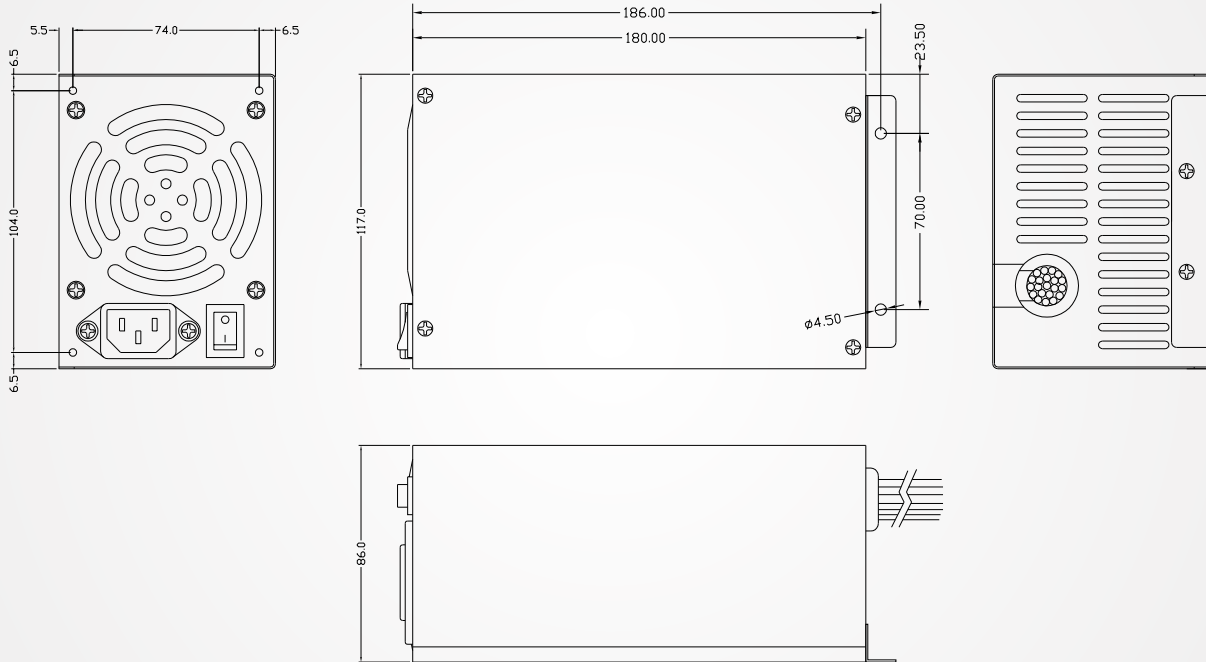
Application ▶

SERVER

NETWORKING

WORKSTATION

• Mechanical Drawing •



• Pinouts Of Connectors •

