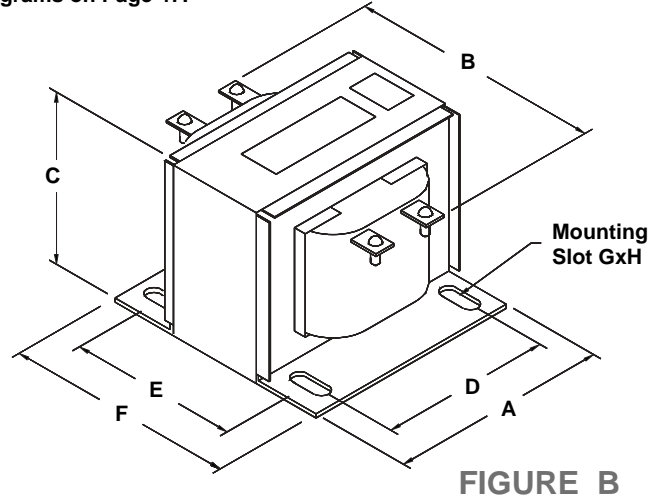
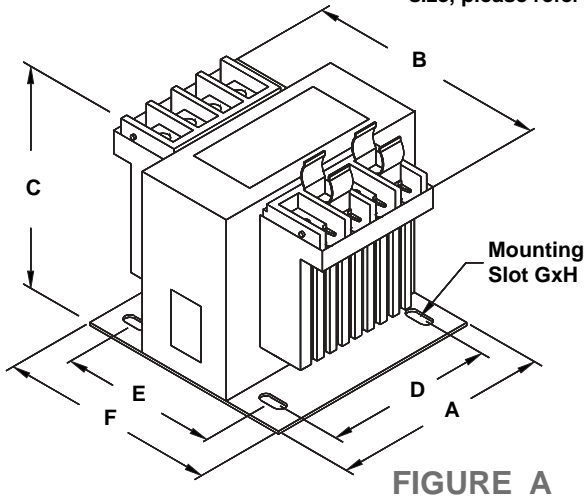


SECTION 1 PT SERIES CONTROL TRANSFORMERS



For detailed mounting dimensions by VA size, please refer to diagrams on Page 47.



SECTION 1

Group AA

Primary Voltage	240/480, 230/460, 220/440
Secondary Voltage	120, 115, 110

50/60 Hertz

SCHEMATIC		CONNECTIONS		
	Primary Volts	Supply Lines Connect To	Install Jumpers Between Lines	
	240	H1, H4	H1-H3, H2-H4	
	230	H1, H4	H1-H3, H2-H4	
	220	H1, H4	H1-H3, H2-H4	
	480	H1, H4	H3-H2	
	460	H1, H4	H3-H2	
440	H1, H4	H3-H2		
Sec. Volts	Load Lines Connect To	Install Jumpers Between Lines		
120	X2, XF			
115	X2, XF			
110	X2, XF			

VA Rating	Catalog Number	Mtg. Fig.	Output Amps	Overall Dimensions			Mounting Centers		"F"	Mtg. Slot "G X H"	Shipping Wt/Lbs
				"A"	"B"	"C"	"D"	"E"			
25	PT25MQMJ	A	0.22	3.00	3.25	2.75	2.50	1.75	2.50	.22 X .44	2.35
50	PT50MQMJ	A	0.43	3.00	3.75	2.75	2.50	2.25	3.41	.22 X .75	3.60
75	PT75MQMJ	A	0.65	3.00	4.00	2.75	2.50	2.44	3.31	.22 X .50	4.35
100	PT100MQMJ	A	0.87	3.00	4.50	2.75	2.50	2.63	3.50	.22 X .50	5.15
150	PT150MQMJ	A	1.30	4.25	4.00	3.25	3.13/3.75	2.75	3.63	.22 X .75	6.15
200	PT200MQMJ	A	1.74	4.25	4.00	3.25	3.13/3.75	2.75	3.63	.22 X .75	7.75
250	PT250MQMJ	A	2.17	4.50	4.50	3.85	3.13/3.75	3.00	4.00	.22 X .75	9.50
300	PT300MQMJ	A	2.61	4.50	4.75	3.85	3.13/3.75	3.00	4.00	.22 x .75	10.75
350	PT350MQMJ	A	3.04	5.00	5.00	3.85	3.75/4.38	3.56	4.56	.22 X .75	11.75
500	PT500MQMJ	A	4.35	5.25	5.00	4.50	3.75/4.38	4.00	5.00	.31 X .75	14.75
750	PT750MQMJ	A	6.52	5.63	5.88	4.50	4.38/5.31	5.00	6.50	.31 X 1.13	21.95
1000	PT1000MQMJ	A	8.70	5.63	6.88	4.50	4.38/5.31	5.50	7.00	.31 X 1.13	28.70
1500	PT1500MQMJ	B	13.04	7.00	5.75	5.50	4.50/6.00	5.13	6.50	.38 x 1.00	33.00
2000	PT2000MQMJ	B	17.39	7.00	7.50	5.50	4.50/6.00	6.13	7.50	.38 x 1.00	41.50
3000	PT3000MQMJ	B	26.09	7.50	8.88	6.38	4.50/6.00	7.00	8.38	.38 x 1.00	71.50
5000	PT5000MQMJ	B	43.48	9.00	10.00	7.63	5.25/7.00	7.25	8.75	.44 x 1.00	106.00

Height dimension (C) does not include fuse clip (applicable up to 1000VA Primary jumpers are included. Secondary fuse clips for 13/32" X 1 1/2" fuse included up to 1000VA. Open style units (1500VA to 5000VA) do not carry the CE mark.

The output amps listed above are based on a 115V secondary. All dimensions in inches unless otherwise specified.





Group BB

Primary Voltage	575, 460, 230
Secondary Voltage	115, 95
50/60 Hertz	

SCHEMATIC		CONNECTIONS		
		Primary Volts	Supply Lines Connect To	Install Jumpers Between Lines
		575 460 230	H1, H4 H1, H3 H1, H2	
		Sec. Volts	Load Lines Connect To	Install Jumpers Between Lines
		115 95	X1, X3 X1, X2	

VA Rating	Catalog Number	Mtg. Fig.	Output Amps	Overall Dimensions			Mounting Centers		"F"	Mtg. Slot "G X H"	Shipping Wt/Lbs
				"A"	"B"	"C"	"D"	"E"			
25	PT25MBMH	A	0.22	3.00	3.50	2.75	2.50	1.75	2.50	.22 X .44	2.35
50	PT50MBMH	A	0.43	3.00	3.75	2.75	2.50	2.25	3.41	.22 X .75	3.60
75	PT75MBMH	A	0.65	3.00	4.00	2.75	2.50	2.44	3.31	.22 X .50	4.35
100	PT100MBMH	A	0.87	3.00	4.50	2.75	2.50	2.63	3.50	.22 X .50	5.15
150	PT150MBMH	A	1.30	4.25	4.00	3.25	3.13/3.75	2.75	3.63	.22 X .75	6.15
200	PT200MBMH	A	1.74	4.50	4.00	3.85	3.13/3.75	2.75	3.63	.22 X .75	7.75
250	PT250MBMH	A	2.17	4.50	4.75	3.85	3.13/3.75	3.00	4.00	.22 X .75	9.50
300	PT300MBMH	A	2.61	4.50	4.75	3.85	3.13/3.75	3.00	4.00	.22 x .75	10.75
350	PT350MBMH	A	3.04	5.00	5.50	3.85	3.75/4.38	3.56	4.56	.22 X .75	11.75
500	PT500MBMH	A	4.35	5.25	5.00	4.50	3.75/4.38	4.00	5.00	.31 X .75	14.75
750	PT750MBMH	A	6.52	5.63	6.38	4.50	4.38/5.31	5.00	6.50	.31 X 1.13	21.75
1000	PT1000MBMH	A	8.70	6.00	6.88	5.07	4.38/5.31	5.50	7.00	.31 X 1.13	28.95
1500	PT1500MBMH	B	13.05	7.00	6.25	5.50	4.50/6.00	5.13	6.50	.38 x 1.00	33.00
2000	PT2000MBMH	B	17.39	7.00	7.50	5.50	4.50/6.00	6.13	7.50	.38 x 1.00	41.50
3000	PT3000MBMH	B	26.09	7.50	10.88	6.38	4.50/6.00	7.28	8.66	.38 x 1.00	73.50
5000	PT5000MBMH	B	43.48	9.00	11.50	7.63	5.25/7.00	7.78	9.25	.44 x 1.00	115.00

Primary jumpers and Secondary fuse clips are not applicable. Secondary jumpers are included. Open style units (1500VA to 5000VA) do not carry the CE mark.

The output amps listed above are based on a 115V secondary. All dimensions in inches unless otherwise specified.

Group CC

Primary Voltage	240/480
Secondary Voltage	24
50/60 Hertz	

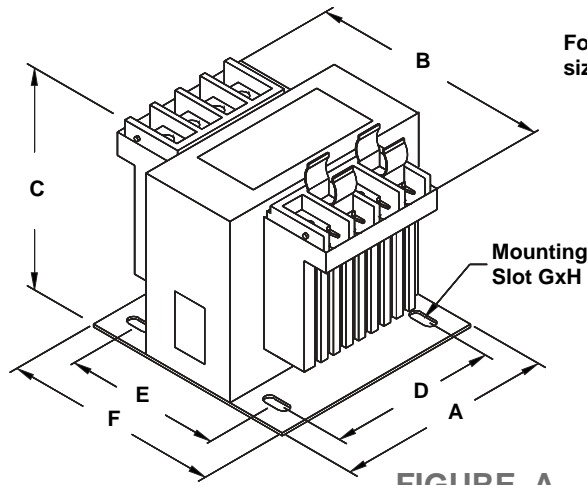
SCHEMATIC		CONNECTIONS		
		Primary Volts	Supply Lines Connect To	Install Jumpers Between Lines
		480 240	H1, H4 H1, H4	H2-H3 H1-H3, H2-H4
		Sec. Volts	Load Lines Connect To	Install Jumpers Between Lines
		24	X2, XF	

VA Rating	Catalog Number	Mtg. Fig.	Output Amps	Overall Dimensions			Mounting Centers		"F"	Mtg. Slot "G X H"	Shipping Wt/Lbs
				"A"	"B"	"C"	"D"	"E"			
25	PT25QG	A	1.04	3.00	3.25	2.75	2.50	1.75	2.50	.22 X .44	2.35
50	PT50QG	A	2.08	3.00	3.75	2.75	2.50	2.50	3.41	.22 X .75	3.60
75	PT75QG	A	3.13	3.00	4.00	2.75	2.50	2.44	3.31	.22 X .50	4.35
100	PT100QG	A	4.17	3.00	4.50	2.75	2.50	2.63	3.50	.22 X .50	5.15
150	PT150QG	A	6.25	4.25	4.00	3.25	3.13/3.75	2.75	3.63	.22 X .75	6.15
200	PT200QG	A	8.33	4.25	4.00	3.25	3.13/3.75	2.75	3.63	.22 X .75	7.75
250	PT250QG	A	10.40	4.50	4.50	3.85	3.13/3.75	3.00	4.00	.22 X .75	9.50
300	PT300QG	A	12.50	4.50	4.75	3.85	3.13/3.75	3.00	4.00	.22 x .75	10.75
350	PT350QG	A	14.60	5.00	5.00	3.85	3.75/4.38	3.56	4.56	.22 X .75	11.75
500	PT500QG	A	20.80	5.25	5.00	4.50	3.75/4.38	4.00	5.00	.31 X .75	14.75
750	PT750QG	A	31.30	5.63	5.88	4.50	4.38/5.31	5.00	6.50	.31 X 1.13	21.95

Height dimension (C) does not include secondary fuse clip. Primary jumpers and Secondary fuse clips for 13/32" X 1 1/2" fuse are included.

All dimensions in inches unless otherwise specified.

SECTION 1 PT SERIES CONTROL TRANSFORMERS

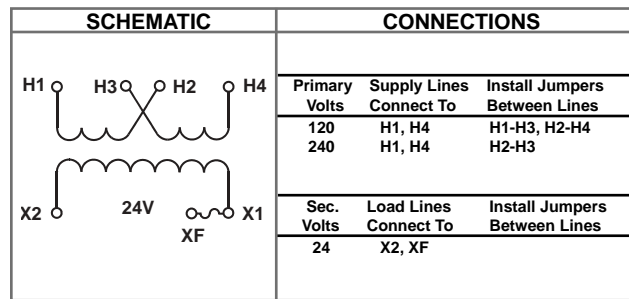


For detailed mounting dimensions by VA size, please refer to diagrams on Page 47.

SECTION 1

Group DD

Primary Voltage	120/240
Secondary Voltage	24
50/60 Hertz	



VA Rating	Catalog Number	Mtg. Fig.	Output Amps	Overall Dimensions			Mounting Centers		"F"	Mtg. Slot "G X H"	Shipping Wt/Lbs
				"A"	"B"	"C"	"D"	"E"			
25	PT25PG	A	1.04	3.00	3.25	2.75	2.50	1.75	2.50	.22 X .44	2.35
50	PT50PG	A	2.08	3.00	3.75	2.75	2.50	2.25	3.41	.22 X .75	3.60
75	PT75PG	A	3.13	3.00	4.00	2.75	2.50	2.44	3.31	.22 X .50	4.35
100	PT100PG	A	4.17	3.00	4.50	2.75	2.50	2.63	3.50	.22 X .50	5.15
150	PT150PG	A	6.25	4.25	4.00	3.25	3.13/3.75	2.75	3.63	.22 X .75	6.15
200	PT200PG	A	8.33	4.25	4.00	3.25	3.13/3.75	2.75	3.63	.22 X .75	7.75
250	PT250PG	A	10.40	4.50	4.50	3.85	3.13/3.75	3.00	4.00	.22 X .75	9.50
300	PT300PG	A	12.50	4.50	4.75	3.85	3.13/3.75	3.00	4.00	.22 x .75	10.75
350	PT350PG	A	14.60	5.00	5.00	3.85	3.75/4.38	3.56	4.56	.22 X .75	11.75
500	PT500PG	A	20.80	5.25	5.00	4.50	3.75/4.38	4.00	5.00	.31 X .75	14.75
750	PT750PG	A	31.30	5.63	5.88	4.50	4.38/5.31	5.00	6.50	.31 X 1.13	21.95

Height dimension (C) does not include secondary fuse clip.
 Primary jumpers and Secondary fuse clips for 13/32" X 1 1/2" fuse are included.

All dimensions in inches unless otherwise specified.



SECTION 1 PT SERIES CONTROL TRANSFORMERS

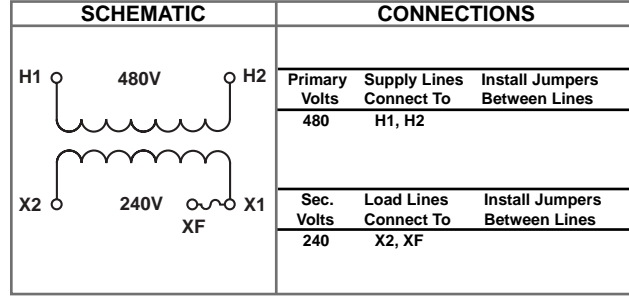


SECTION 1



Group EE

Primary Voltage	480
Secondary Voltage	240
50/60 Hertz	



VA Rating	Catalog Number	Mtg. Fig.	Output Amps	Overall Dimensions			Mounting Centers		"F"	Mtg. Slot "G X H"	Shipping Wt/Lbs
				"A"	"B"	"C"	"D"	"E"			
25	PT25CM	A	0.10	3.00	3.25	2.75	2.50	1.75	2.50	.22 X .44	2.35
50	PT50CM	A	0.21	3.00	3.75	2.75	2.50	2.25	3.41	.22 X .75	3.60
75	PT75CM	A	0.31	3.00	4.00	2.75	2.50	2.44	3.31	.22 X .50	4.35
100	PT100CM	A	0.42	3.00	4.50	2.75	2.50	2.63	3.50	.22 X .50	5.15
150	PT150CM	A	0.63	4.25	4.00	3.25	3.13/3.75	2.75	3.63	.22 X .75	6.15
200	PT200CM	A	0.83	4.25	4.00	3.25	3.13/3.75	2.75	3.63	.22 X .75	7.75
250	PT250CM	A	1.04	4.50	5.00	3.85	3.13/3.75	3.00	4.00	.22 X .75	9.50
350	PT350CM	A	1.46	5.00	5.00	3.85	3.75/4.38	3.56	4.56	.22 X .75	11.75
500	PT500CM	A	2.08	5.25	5.00	3.85	3.75/4.38	4.00	5.00	.31 X .75	14.75
750	PT750CM	A	3.13	5.63	5.88	4.50	4.38/5.31	5.00	6.50	.31 X 1.13	21.75
1000	PT1000CM	A	4.17	5.63	6.38	4.50	4.38/5.31	5.00	6.50	.31 X 1.13	29.95

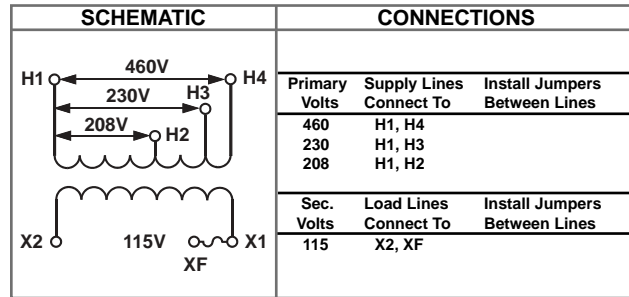
Height dimension (C) does not include secondary fuse clip.
 Secondary fuse clips for 13/32" X 1 1/2" fuse are included. Primary jumpers not applicable.

All dimensions in inches unless otherwise specified.



Group FF

Primary Voltage	460, 230, 208
Secondary Voltage	115
50/60 Hertz	



VA Rating	Catalog Number	Mtg. Fig.	Output Amps	Overall Dimensions			Mounting Centers		"F"	Mtg. Slot "G X H"	Shipping Wt/Lbs
				"A"	"B"	"C"	"D"	"E"			
25	PT25MLI	A	0.22	3.00	3.25	2.75	2.50	1.75	2.50	.22 X .44	2.35
50	PT50MLI	A	0.43	3.00	3.75	2.75	2.50	2.25	3.41	.22 X .75	3.60
75	PT75MLI	A	0.65	3.00	4.00	2.75	2.50	2.44	3.31	.22 X .50	4.35
100	PT100MLI	A	0.87	3.00	4.50	2.75	2.50	2.63	3.50	.22 X .50	5.15
150	PT150MLI	A	1.30	4.25	4.00	3.25	3.13/3.75	2.75	3.63	.22 X .75	6.15
200	PT200MLI	A	1.74	4.50	4.00	3.85	3.13/3.75	2.75	3.63	.22 X .75	7.75
250	PT250MLI	A	2.17	4.50	4.75	3.85	3.13/3.75	3.00	4.00	.22 X .75	9.50
300	PT300MLI	A	2.61	4.50	4.75	3.85	3.13/3.75	3.00	4.00	.22 X .75	10.75
350	PT350MLI	A	3.04	5.00	5.00	3.85	3.75/4.38	3.56	4.56	.22 X .75	11.75
500	PT500MLI	A	4.35	5.25	5.00	4.50	3.75/4.38	4.00	5.00	.31 X .75	14.75
750	PT750MLI	A	6.52	5.63	6.38	4.50	4.38/5.31	5.00	6.50	.31 X 1.13	21.75
1000	PT1000MLI	A	8.70	6.00	6.38	5.07	4.38/5.31	5.00	6.50	.31 X 1.13	28.95

Height dimension (C) does not include secondary fuse clip.
 Secondary fuse clips for 13/32" X 1 1/2" fuse are included. Primary jumpers not applicable.

All dimensions in inches unless otherwise specified.



SECTION 1 PT SERIES CONTROL TRANSFORMERS



SECTION 1

Group HH

Primary Voltage	415, 380
Secondary Voltage	110/220
50/60 Hertz	

SCHEMATIC		CONNECTIONS		
		Primary Volts	Supply Lines Connect To	Install Jumpers Between Lines
		415 380	H1, H3 H1, H2	
		Sec. Volts	Load Lines Connect To	Install Jumpers Between Lines
		110 220	X1, X4 X1, X4	X1-X3, X2-X4 X2-X3

VA Rating	Catalog Number	Mtg. Fig.	Output Amps	Overall Dimensions			Mounting Centers		"F"	Mtg. Slot "G X H"	Shipping Wt/Lbs
				"A"	"B"	"C"	"D"	"E"			
25	PT25MDMX	A	0.23/0.11	3.00	3.25	2.75	2.50	1.75	2.50	.22 X .44	2.35
50	PT50MDMX	A	0.45/0.23	3.00	3.75	2.75	2.50	2.25	3.41	.22 X .75	3.60
75	PT75MDMX	A	0.68/0.34	3.00	4.00	2.75	2.50	2.44	3.31	.22 X .50	4.35
100	PT100MDMX	A	0.91/0.45	3.00	4.50	2.75	2.50	2.63	3.50	.22 X .50	5.15
150	PT150MDMX	A	1.36/0.68	4.25	4.00	3.25	3.13/3.75	2.75	3.63	.22 X .75	6.15
200	PT200MDMX	A	1.82/0.91	4.25	4.00	3.25	3.13/3.75	2.75	3.63	.22 X .75	7.75
250	PT250MDMX	A	2.27/1.14	4.50	4.50	3.85	3.13/3.75	3.00	4.00	.22 X .75	9.50
350	PT350MDMX	A	3.18/1.59	5.00	5.00	3.85	3.75/4.38	3.56	4.56	.22 X .75	11.75
500	PT500MDMX	A	4.55/2.27	5.25	5.00	3.85	3.75/4.38	4.00	5.00	.31 X .75	14.75
750	PT750MDMX	A	6.82/3.41	6.00	5.88	4.50	4.38/5.31	5.00	6.50	.31 X 1.13	21.74
1000	PT1000MDMX	A	9.09/4.55	5.63	6.88	4.50	4.38/5.31	5.50	7.00	.31 X 1.13	28.95

Secondary jumpers are included. Primary jumpers and secondary fuse clips are not applicable. All dimensions in inches unless otherwise specified.

Group II

Primary Voltage	380, 277, 208
Secondary Voltage	120
50/60 Hertz	

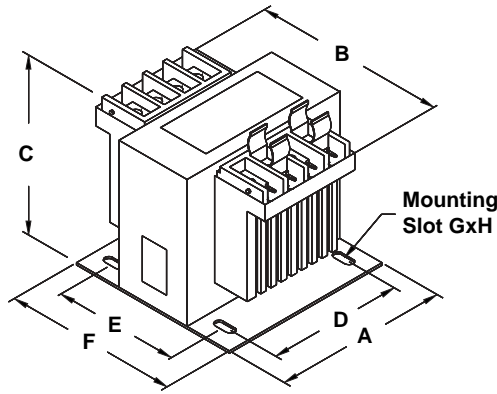
SCHEMATIC		CONNECTIONS		
		Primary Volts	Supply Lines Connect To	Install Jumpers Between Lines
		380 277 208	H1, H4 H1, H3 H1, H2	
		Sec. Volts	Load Lines Connect To	Install Jumpers Between Lines
120	X2, XF			

VA Rating	Catalog Number	Mtg. Fig.	Output Amps	Overall Dimensions			Mounting Centers		"F"	Mtg. Slot "G X H"	Shipping Wt/Lbs
				"A"	"B"	"C"	"D"	"E"			
25	PT25MGJ	A	0.21	3.00	3.25	2.75	2.50	1.75	2.50	.22 X .44	2.35
50	PT50MGJ	A	0.42	3.00	3.75	2.75	2.50	2.25	3.41	.22 X .75	3.60
75	PT75MGJ	A	0.63	3.00	4.00	2.75	2.50	2.44	3.31	.22 X .50	4.35
100	PT100MGJ	A	0.83	3.00	4.00	2.75	2.50	2.63	3.50	.22 X .50	5.15
150	PT150MGJ	A	1.25	4.25	4.50	3.25	3.13/3.75	2.75	3.63	.22 X .75	6.15
200	PT200MGJ	A	1.67	4.50	4.00	3.85	3.13/3.75	2.75	3.63	.22 X .75	7.75
250	PT250MGJ	A	2.08	4.50	4.00	3.85	3.13/3.75	3.00	4.00	.22 X .75	9.50
300	PT300MGJ	A	2.50	4.50	4.75	3.85	3.13/3.75	3.00	4.00	.22 X .75	10.75
350	PT350MGJ	A	2.92	5.00	4.75	3.85	3.75/4.38	3.56	4.56	.22 X .75	11.75
500	PT500MGJ	A	4.17	5.25	5.00	4.50	3.75/4.38	4.00	5.00	.31 X .75	14.75
750	PT750MGJ	A	6.25	5.63	5.00	4.50	4.38/5.31	5.00	6.50	.31 X 1.13	21.75
1000	PT1000MGJ	A	8.33	5.63	6.38	4.50	4.38/5.31	5.00	6.50	.31 X 1.13	28.95

Height dimension (C) does not include secondary fuse clip. All dimensions in inches unless otherwise specified. Secondary fuse clips for 13/32" X 1 1/2" fuse are included. Primary jumpers not applicable.



SECTION 1 PT SERIES CONTROL TRANSFORMERS



For detailed mounting dimensions by VA size, please refer to diagrams on Page 47.

FIGURE A

SECTION 1

Group LL

Primary Voltage	240/480
Secondary Voltage	12/24
50/60 Hertz	

SCHEMATIC		CONNECTIONS		
	Primary Volts	Supply Lines Connect To	Install Jumpers Between Lines	
	480	H1, H4	H2-H3	
	240	H1, H4	H1-H3, H2-H4	
Sec. Volts	Load Lines Connect To	Install Jumpers Between Lines		
12	X1, X4	X1-X3, X2-X4		
24	X1, X4	X2-X3		

VA Rating	Catalog Number	Mtg. Fig.	Output Amps	Overall Dimensions			Mounting Centers		"F"	Mtg. Slot "G X H"	Shipping Wt/Lbs
				"A"	"B"	"C"	"D"	"E"			
25	PT25QR	A	2.08/1.04	3.00	3.25	2.75	2.50	1.75	2.50	.22 X .44	2.35
50	PT50QR	A	4.17/2.08	3.00	3.75	2.75	2.50	2.25	3.41	.22 X .75	3.60
75	PT75QR	A	6.25/3.13	3.00	4.00	2.75	2.50	2.44	3.31	.22 X .50	4.35
100	PT100QR	A	8.33/4.17	3.00	4.50	2.75	2.50	2.63	3.50	.22 X .50	5.15
150	PT150QR	A	12.5/6.25	4.25	4.00	3.25	3.13/3.75	2.63	3.63	.22 X .75	6.15
200	PT200QR	A	16.7/8.33	4.25	4.00	3.25	3.13/3.75	2.63	3.63	.22 X .75	7.75
250	PT250QR	A	20.8/10.4	4.50	4.50	3.85	3.13/3.75	3.00	4.00	.22 X .75	9.50

Primary and Secondary jumpers are included. Secondary fuse clips are not applicable.

All dimensions in inches unless otherwise specified.

Group MM

Primary Voltage	415, 400, 380
Secondary Voltage	110/220
50/60 Hertz	

SCHEMATIC		CONNECTIONS		
	Primary Volts	Supply Lines Connect To	Install Jumpers Between Lines	
	415V	H1, H4		
	400V	H1, H3		
	380V	H1, H2		
Sec. Volts	Load Lines Connect To	Install Jumpers Between Lines		
110V	X1, X4	X1-X3, X2-X4		
220V	X1, X4	X2-X3		

VA Rating	Catalog Number	Mtg. Fig.	Output Amps	Overall Dimensions			Mounting Centers		"F"	Mtg. Slot "G X H"	Shipping Wt/Lbs
				"A"	"B"	"C"	"D"	"E"			
25	PT25MEMX	A	1.04/0.22	3.00	3.25	2.75	2.50	1.75	2.50	0.22 x 0.44	2.35
50	PT50MEMX	A	2.08/0.43	3.00	3.75	2.75	2.50	2.25	3.41	0.22 x 0.75	3.60
75	PT75MEMX	A	3.13/0.65	3.00	4.00	2.75	2.50	2.44	3.31	0.22 x 0.50	4.35
100	PT100MEMX	A	4.17/0.87	3.00	4.50	2.75	2.50	2.63	3.50	0.22 x 0.50	5.15
150	PT150MEMX	A	6.25/1.30	4.25	4.13	3.25	3.13/3.75	2.75	3.75	0.22 x 0.75	6.15
200	PT200MEMX	A	8.33/1.74	4.25	4.13	3.25	3.13/3.75	2.75	3.75	0.22 x 0.75	7.75
250	PT250MEMX	A	10.42/2.17	4.50	4.88	3.85	3.12/3.75	3.00	4.00	0.22 x 0.75	9.50
350	PT350MEMX	A	14.58/3.04	4.88	5.38	3.85	3.75/4.38	3.56	4.56	0.22 x 0.75	11.75
500	PT500MEMX	A	20.83/4.35	5.25	5.00	3.85	3.75/4.38	4.00	5.00	0.22 x 0.75	14.75
750	PT750MEMX	A	31.25/6.52	6.00	6.00	4.50	4.38/5.31	5.00	6.50	0.31 x 1.13	21.74
1000	PT1000MEMX	A	41.67/8.70	6.00	7.00	4.50	4.38/5.31	5.00	6.50	0.31 x 1.13	28.95

Primary jumpers and Secondary fuse clips are not applicable. Secondary jumpers are included.

All dimensions are inches unless otherwise specified.

*Hammond does not offer European style metric fuse clips.



SECTION 1 PT SERIES CONTROL TRANSFORMERS



SECTION 1



Group OO

Primary Voltage	380, 277, 208
Secondary Voltage	24, 120
50/60 Hertz	

SCHEMATIC		CONNECTIONS		
		Primary Volts	Supply Lines Connect To	Install Jumpers Between Lines
		380V 277V 208V	H1, H4 H1, H3 H1, H2	
		Sec. Volts	Load Lines Connect To	Install Jumpers Between Lines
		120V 24V	X1, X3 X1, X2	

VA Rating	Catalog Number	Mtg. Fig.	Output Amps	Overall Dimensions			Mounting Centers		"F"	Mtg. Slot "G X H"	Shipping Wt/Lbs
				"A"	"B"	"C"	"D"	"E"			
25	PT25MGMD	A	1.04/0.21	3.00	3.25	2.75	2.50	1.75	2.50	0.22 x 0.44	3.60
50	PT50MGMD	A	2.08/0.42	3.00	4.00	2.75	2.50	2.25	3.41	0.22 x 0.75	4.35
75	PT75MGMD	A	3.13/0.63	3.00	4.50	2.75	2.50	2.88	3.75	0.22 x 0.50	5.15
100	PT100MGMD	A	4.17/0.83	3.75	4.13	3.25	3.12	2.75	3.50	0.22 x 0.56	5.61
150	PT150MGMD	A	6.25/1.25	4.50	4.38	3.85	3.12/3.75	2.63	3.63	0.22 x 0.75	6.15
200	PT200MGMD	A	8.33/1.67	4.50	4.88	3.85	3.12/3.75	2.63	3.63	0.22 x 0.75	7.75
250	PT250MGMD	A	10.42/2.08	4.50	5.38	3.85	3.12/3.75	3.00	4.00	0.22 x 0.75	9.40
350	PT350MGMD	A	14.58/2.92	4.88	5.88	3.85	3.75/4.38	3.56	4.56	0.22 x 0.75	11.75
500	PT500MGMD	A	20.83/4.17	5.50	5.00	3.85	3.75/4.38	4.00	5.00	0.22 x 0.75	14.75

Height dimension (C) does not include secondary fuse clip. Secondary fuse clips for 13/32" x 1 1/2" fuse included. Primary jumpers not applicable.

All dimensions are inches unless otherwise specified. *Hammond does not offer European style metric fuse clips.



Group PP

Primary Voltage	415, 400, 240
Secondary Voltage	24, 120
50/60 Hertz	

SCHEMATIC		CONNECTIONS		
		Primary Volts	Supply Lines Connect To	Install Jumpers Between Lines
		415V 400V 240V	H1, H4 H1, H3 H1, H2	
		Sec. Volts	Load Lines Connect To	Install Jumpers Between Lines
		120V 24	X1, X3 X1, X2	

VA Rating	Catalog Number	Mtg. Fig.	Output Amps	Overall Dimensions			Mounting Centers		"F"	Mtg. Slot "G X H"	Shipping Wt/Lbs
				"A"	"B"	"C"	"D"	"E"			
25	PT25MCMD	A	1.04/0.21	3.00	3.25	2.75	2.50	1.75	2.50	0.22 x 0.44	3.60
50	PT50MCMD	A	2.08/0.42	3.00	4.00	2.75	2.50	2.25	3.41	0.22 x 0.75	4.35
75	PT75MCMD	A	3.13/0.63	3.00	4.50	2.75	2.50	2.88	3.75	0.22 x 0.50	5.15
100	PT100MCMD	A	4.17/0.83	3.75	4.13	3.25	3.12	2.75	3.50	0.22 x 0.56	5.61
150	PT150MCMD	A	6.25/1.25	4.50	4.38	3.85	3.12/3.75	2.63	3.63	0.22 x 0.75	6.15
200	PT200MCMD	A	8.33/1.67	4.50	4.88	3.85	3.12/3.75	2.63	3.63	0.22 x 0.75	7.75
250	PT250MCMD	A	10.42/2.08	4.50	5.38	3.85	3.12/3.75	3.00	4.00	0.22 x 0.75	9.40
350	PT350MCMD	A	14.58/2.92	4.88	5.88	3.85	3.75/4.38	3.56	4.56	0.22 x 0.75	11.75
500	PT500MCMD	A	20.83/4.17	5.50	5.00	3.85	3.75/4.38	4.00	5.00	0.22 x 0.75	14.75

Height dimension (C) does not include secondary fuse clip. Secondary fuse clips for 13/32" x 1 1/2" fuse included. Primary jumpers not applicable.

All dimensions are inches unless otherwise specified. *Hammond does not offer European style metric fuse clips.



SECTION 1 PT SERIES CONTROL TRANSFORMERS



SECTION 1



Group RR

Primary Voltage	240/480
Secondary Voltage	120/240
50/60 Hertz	

SCHEMATIC		CONNECTIONS		
		Primary Volts	Supply Lines Connect To	Install Jumpers Between Lines
		240 480	H1, H4 H1, H4	H1-H3, H2-H4 H2-H3
		Sec. Volts	Load Lines Connect To	Install Jumpers Between Lines
		120 240	X1, X4 X1, X4	X1-X3, X2-X4 X2-X3

VA Rating	Catalog Number	Mtg. Fig.	Output Amps	Overall Dimensions			Mounting Centers		"F"	"G X H"	Shipping Wt/Lbs
				"A"	"B"	"C"	"D"	"E"			
25	PT25QP	A	0.21/0.10	3.00	3.25	2.75	2.50	1.75	2.50	0.22 x 0.44	2.25
50	PT50QP	A	0.42/0.21	3.00	3.75	2.75	2.50	2.25	3.41	0.22 x 0.75	3.50
75	PT75QP	A	0.63/0.31	3.00	4.00	2.75	2.50	2.44	3.31	0.22 x 0.50	4.25
100	PT100QP	A	0.83/0.42	3.00	4.50	2.75	2.50	2.63	3.50	0.22 X 0.50	5.00
150	PT150QP	A	1.25/0.63	4.25	4.25	3.25	3.12/3.75	2.75	3.75	0.22 x 0.75	6.00
200	PT200QP	A	1.67/0.83	4.50	4.38	3.85	3.12/3.75	2.63	3.63	0.22 x 0.75	7.25
250	PT250QP	A	2.08/1.04	4.50	4.88	3.85	3.12/3.75	3.00	4.00	0.22 x 0.75	9.25
300	PT300QP	A	2.50/1.25	4.50	4.88	3.85	3.12/3.75	3.00	4.00	0.22 x 0.75	10.50
350	PT350QP	A	2.92/1.46	4.88	5.38	3.85	3.75/4.38	3.56	4.56	0.22 x 0.75	11.50
500	PT500QP	A	4.17/2.08	5.25	5.13	4.50	3.75/4.38	4.00	5.00	0.22 x 0.75	14.50
750	PT750QP	A	6.25/3.13	6.00	5.88	4.50	4.38/5.31	5.00	6.50	0.31 x 1.13	21.50
1000	PT1000QP	A	8.33/4.17	6.00	6.92	4.50	3.75/4.38	5.50	7.00	0.31 x 1.13	29.58

Primary and Secondary jumpers are included. Secondary fuse clips are not applicable.

All dimensions in inches unless otherwise specified.



Group SS

Primary Voltage	120/240
Secondary Voltage	120/240
50/60 Hertz	

SCHEMATIC		CONNECTIONS		
		Primary Volts	Supply Lines Connect To	Install Jumpers Between Lines
		120 240	H1, H4 H1, H4	H1-H3, H2-H4 H2-H3
		Sec. Volts	Load Lines Connect To	Install Jumpers Between Lines
		120 240	X1, X4 X1, X4	X1-X3, X2-X4 X2-X3

VA Rating	Catalog Number	Mtg. Fig.	Output Amps	Overall Dimensions			Mounting Centers		"F"	"G X H"	Shipping Wt/Lbs
				"A"	"B"	"C"	"D"	"E"			
25	PT25PP	A	0.21/0.10	3.00	3.25	2.75	2.50	1.75	2.50	0.22 x 0.44	2.25
50	PT50PP	A	0.42/0.21	3.00	3.75	2.75	2.50	2.25	3.41	0.22 x 0.75	3.50
75	PT75PP	A	0.63/0.31	3.00	4.00	2.75	2.50	2.44	3.31	0.22 x 0.50	4.25
100	PT100PP	A	0.83/0.42	3.00	4.50	2.75	2.50	2.63	3.50	0.22 X 0.50	5.00
150	PT150PP	A	1.25/0.63	4.25	4.25	3.25	3.12/3.75	2.75	3.75	0.22 x 0.75	6.00
200	PT200PP	A	1.67/0.83	4.50	4.38	3.85	3.12/3.75	2.63	3.63	0.22 x 0.75	7.25
250	PT250PP	A	2.08/1.04	4.50	4.88	3.85	3.12/3.75	3.00	4.00	0.22 x 0.75	9.25
300	PT300PP	A	2.50/1.25	4.50	4.88	3.85	3.12/3.75	3.00	4.00	0.22 x 0.75	10.50
350	PT350PP	A	2.92/1.46	4.88	5.38	3.85	3.75/4.38	3.56	4.56	0.22 x 0.75	11.50
500	PT500PP	A	4.17/2.08	5.25	5.13	4.50	3.75/4.38	4.00	5.00	0.22 x 0.75	14.50
750	PT750PP	A	6.25/3.13	6.00	5.88	4.50	4.38/5.31	5.00	6.50	0.31 x 1.13	21.50
1000	PT1000PP	A	8.33/4.17	6.00	6.92	4.50	3.75/4.38	5.50	7.00	0.31 x 1.13	29.58

Primary and Secondary jumpers are included. Secondary fuse clips are not applicable.

All dimensions in inches unless otherwise specified.

