

15" Wide 1366 x 768 AFOLUX Panel PC

AFL-W15A-N270

Intel® Atom™ Processor N270 1.6GHz Processor

AFL-W15A-GM45

Intel® Core™ 2 Duo T9400 2.53GHz Processor (max.)



Membrane Keypad for LCD On/Off, Brightness Down/Up, Volume Down/Up, Lock, Ambient Light Sensor On/Off Control



Ambient Light Sensor



300K Pixel Camera (with Low Light function) and Digital Microphone



HDMI High-Definition Multimedia Interface (For GM45 Systems Only)



Features

- 15" wide screen all-in-one system with resistive touch panel
- WiFi 802.11 connection
- HDMI New High-Definition Multimedia Interface (For Intel® GM45 System)
- Built-in two speakers
- Built-in Bluetooth technology
- Built-in HSUPA module for mobile connection (Optional)
- Ambient Light Sensor detects ambient light for automated screen adjustments.
- VESA-mountable for flexibility in mounting and deployment
- Membrane keypad to control LCD backlight, panel brightness, speakers volume, ambient light sensor and lock the keypad functions
- Software system settings utility support
- Support for Windows CE, Windows XP Embedded and LINUX (Optional)
- IP 64 Front Panel Compliant
- IEI One Key Recovery solution allows you to create rapid OS backup and recovery (Suggest over 4GB storage capacity)

Infrared Remote Control

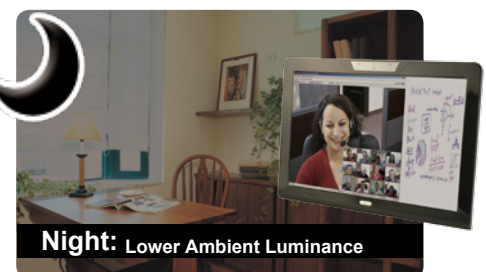


Ambient Light Sensor

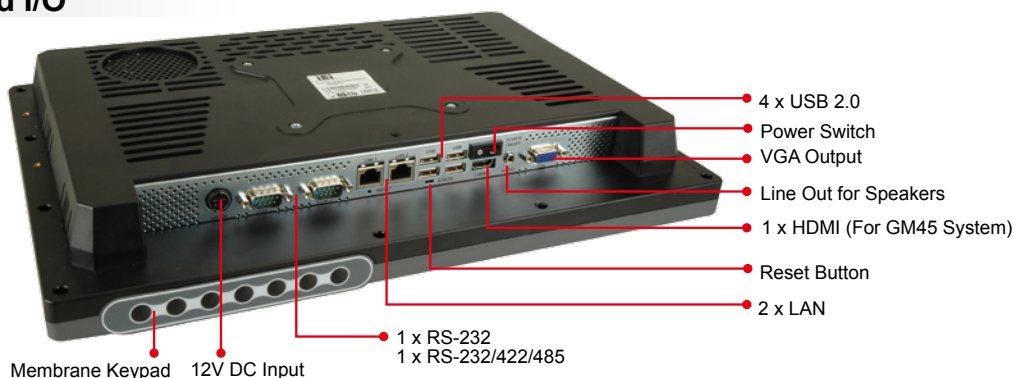
The AFL-W15A series built in the ambient light sensor in front of the panel to automatically detect the amount of light in the viewing environment and auto-adjusts the brightness of the screen.

Benefits:

- Avoid eye strained and tired, to provide comfortable viewing
- Power consumption saving
- Extend lamp lifetime



Fully Integrated I/O



Specifications



Model	AFL-W15A-N270-R10	AFL-W15A-GM45-R10
LCD Size	15.6"	
Max Resolution	1366 x 768	
Brightness (cd/m ²)	250	
Contrast Ratio	500 : 1	
LCD Color	16.2M	
Pixel Pitch (mm)	0.252 (W) x 0.252 (H) mm	
Viewing Angle (H-V)	110° / 85°	
Backlight MTBF	50000 hrs	
SBC Model	AFLMB2-945GSE-N270-R10	AFLMB2-GM45-R10
CPU	Intel® Atom™ process N270 1.6GHz CPU	Intel® Celeron® M 575 2.0GHz CPU Intel® Core™ 2 Duo P8400 2.26GHz CPU Intel® Core™ 2 Duo T9400 2.53GHz CPU
Chipset	Intel® 945GSE + ICH7M	Intel® GM45 Chipset + ICH9M
RAM	Supports one 400MHz or 533MHz DDRII SO-DIMM (2GB Max.)	Supports two 667MHz or 800MHz DDRII SO-DIMM (4GB max.)
I/O Ports	1 x RS-232 COM Port 1 x RS-232/422/485 COM port 2 x RJ-45 for Giga LAN 4 x USB 2.0 1 x Power Switch 1 x Reset Button 1 x Audio Port 1 x VGA Port 1 x Power Jack	1 x RS-232 COM Port 1 x RS-232/422/485 COM port 2 x RJ-45 for Giga LAN 4 x USB 2.0 1 x Power Switch 1 x Reset Button 1 x HDMI port 1 x Audio port 1 x VGA port 1 x Power Jack
SSD	CF Typell	
Watchdog Timer	Software programmable supports 1~255 sec. System reset	
Audio	AMP 3W + 3W(internal speaker)	
Camera Module	300K pixel camera (with low light function) and Digital Microphone	
Expansion	1 x Wireless Lan 802.11 b/g Module (internal PCIe mini card interface) 1 x Bluetooth Function (internal USB interface,Bluetooth V2.0)	1 x Wireless Lan 802.11 b/g/n Module (internal PCIe mini card interface) 1 x Bluetooth Function (internal USB interface, Bluetooth V2.0)
CD-ROM	N/A	N/A
Drive Bay	1 x 2.5" SATA HDD bay or 1 x HSUPA Mobile Module (USB Interface)	
Optional HSUPA Module (support GSM 850, EGSM 900, DCS 1800 & 1900)		
Construction Front Panel	ABS + PC Plastic front frame	
Membrane Keypad	LCD On/Off, Brightness Down/Up, Volume Down/Up, Lock, Ambient Light Sensor On/Off (OSD Lock: Lock button+ ALS button) (7 keys)	
Infrared Remote Control	LCD On/Off, Brightness Up/Down, Volume Up/Down, System On/Off, Ambient Light Sensor On/Off	
Ambient Light Sensor	Yes	Yes
Mounting	Panel, Wall, Stand and Arm VESA 100mm x 100mm	
Front Panel Color	Gray 7539U	
Dimension (WxHxD) (mm)	400 x 273 x 62.9	
Operation Temperature (°C)	0°C ~40°C with SATA HDD -10°C ~50°C With CF Card or SATA interface 2.5" SSD HDD	0°C ~40°C with SATA HDD -10°C ~50°C With CF Card or SATA interface 2.5" SSD HDD
Storage Temperature (°C)	-20°C ~60°C	
N/G Weight	3.3 Kg	
IP Level	Frant Frame IP64	
Safety & EMC	CE / FCC / CB / CCC	
Touch Screen	Resistive Type 5-Wire (Touch controller IC is on board)	
Power Adapter	P/N: 63000-FSP060DBAB1554-RS 60W Power Adapter Input: 90VAC~264VAC, 50/60Hz Output: 12VDC	P/N: 63000-FSP096AHB-RS 96W Power Adapter Input: 90VAC~264VAC,50/60Hz Output: 12VDC
Power Requirement	12VDC	
Power Consumption	50W	90W

1
Automation
Panel
Solutions

2
All-in-One
Touch POS

3
Digital
Signage

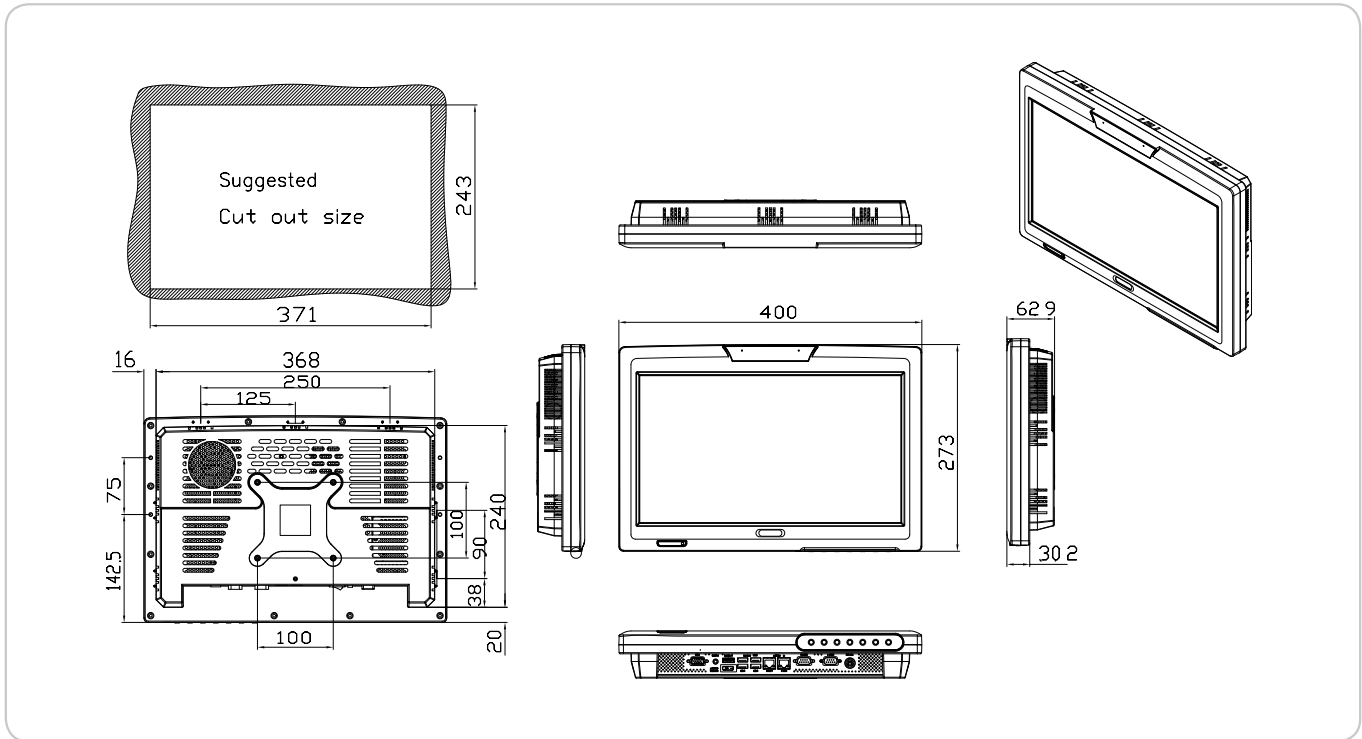
4
Video Wall
Controller

5
RISC-
based
Solutions

6
PACSmate
Medical

7
Optional
Peripherals

Dimensions (Unit: mm)



Ordering Information

Part Number	Description
AFL-W15A-N270/WT-R/1GB/**(HU01)-R10	15.6" 250cd/m ² 1366x768 panel PC with Intel® Atom™ N270 1.6GHz CPU, 1GB DDR2 RAM, 802.11 b/g wireless module, touch screen, Bluetooth, 300K camera, microphone, RoHS
AFL-W15A-GM45-CM575/WT-R/1GB/**(HU01)-R10	15.6" 250cd/m ² 1366x768 panel PC with Celeron M 2.0GHz CPU, 1GB DDR2 RAM, 802.11 b/g/n WiFi, touch screen, Bluetooth, 300K camera, microphone, RoHS
AFL-W15A-GM45-P8400/WT-R/2GB/**(HU01)-R10	15.6" 250cd/m ² 1366x768 panel PC with Core 2 Duo P8400 2.26GHz CPU, 2GB DDR2 RAM, 802.11 b/g/n WiFi, touch screen, Bluetooth, 300K camera, microphone, RoHS
AFL-W15A-GM45-T9400/WT-R/2GB/**(HU01)-R10	15.6" 250cd/m ² 1366x768 panel PC with Core 2 Duo T9400 2.53GHz CPU, 2GB DDR2 RAM, 802.11 b/g/n WiFi, touch screen, Bluetooth, 300K camera, microphone, RoHS

Note: WiFi 802.11 draft N is upgradable.

Options

Model	AFL-W15A-N270	AFL-W15A-GM45
Panel mounting kit	AFLPK-15B	
Wall mounting kit	AFLWK-19	
Rack mounting kit	AFLRK-W15	
ARM	ARM-11-RS / ARM-31-RS	
Stand	STAND-A19 / STAND-B19 / STAND-210-R11	
OS: Win CE 6.0 (128 MB CF card)	AFLCF-W15-N270-CE060-R10	N/A
OS: Win XPE (1 GB CF card)	AFLCF-W15-N270-XPE-R10	AFLCF-W15-GM45-XPE-R10
OS: Win LINUX (2 GB CF card)	AFLCF-W15-N270-LNX-R10	AFLCF-W15-GM45-LNX-R10
Hybrid Card Reader	AFLP-W15AMSI-U	
Magnetic Stripe Reader	AFLP-W15AMSR-U	
DC 12V Input UPS	AUPS-B10-R10 (VESA 100, DC 12V input, 12V output 100W UPS module with 3800mAh)	
DC 9~36V Input UPS	AUPS-B20-R10 (VESA 100, DC 9~36V input, 12V output 100W UPS module with 3800mAh)	

Note: Win CE application without digital microphone function

Packing List

Item	Part Number	Q'ty	Specification
Screws Pack	44013-030041-RS	4	M3;5mm
Power Adpater	63000-FSP096AHB-RS 63000-FSP060DBAB1554-RS	1	90~264V AC; 12V DC; 96W (W15A-GM45) 90~264V AC; 12V DC; 60W (W15A-N270)
Power Cord	32000-000002-RS	1	1750mm; (EU or US, Which type of cord is shipped depends on the country)
Utilities CD	7B000-000087-RS	1	
Touch Pen	XTR104-0002-RS	1	

ISMM Support Functions

	Voltage	Fan	Smart Fan	Temperature	WDT	Cash Drawer
AFL-W15A-N270	V			V	V	
AFL-W15A-GM45	V	V	V	V	V	

- 1 Automation Panel Solutions
- 2 All-in-One Touch POS
- 3 Digital Signage
- 4 Video Wall Controller
- 5 RISC-based Solutions
- 6 PACSmate Medical
- 7 Optional Peripherals