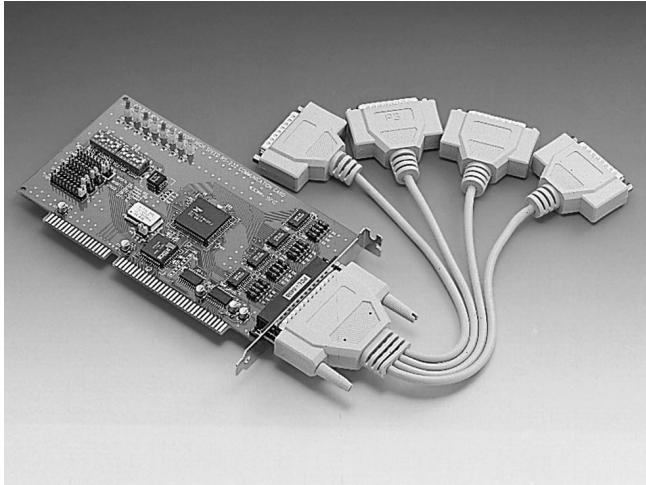


PCL-849

PCL-849L

4-port High-Speed RS-232 Communication Card

4-port RS-232 Communication Card



CE

Features

- Four independent RS-232 serial ports
- Transmission speeds up to 921.6 Kbps (PCL-849A)
- Independent I/O addresses, independent/shared IRQ settings for each of 4 serial ports
- Wide IRQ selection: 3, 4, 5, 6, 7, 9, 10, 11, 12 or 15
- Supports standard DOS COM1, COM2, COM3, COM4 (PCL-849A/849B/849+)
- Supports surge protection: 3000 V_{DC} (PCL-849B/849+)
- LED indicators on each port indicate data flow
- Onboard interrupt status register for greater throughput
- Complete RS-232 modem-control signals
- Supports Windows 95/98/NT/ME/2000/XP, Linux (ICOM utility), DOS

Introduction

The PCL-849 series cards provide four individually configurable RS-232 serial communication ports. The PCL-849A/849B/849L has a 16C554 UART which makes serial I/O more reliable. The higher performance PCL-849+ has a 16C654 UART. By buffering data into 64-byte packets before putting it on the bus, UARTs drastically reduce the CPU load. This makes the PCL-849+ especially suitable for high speed serial I/O applications under multitasking environments.

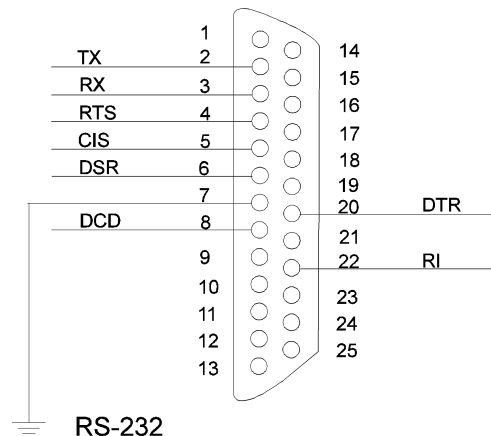
The PCL-849 series cards support two operating modes, standard mode and enhanced mode. In enhanced mode, the address for all four ports can be set automatically. The PCL-849 series cards also support either shared IRQ or independent IRQ functions. When an onboard interrupt occurs, the interrupt status register (vector address) indicates which port generated it. The shared interrupt can be set to most common (extended) AT interrupts. This simplifies programming, speeds up interrupt processing and frees up interrupts for other devices.

Specifications

- Ports** 4 serial ports
- I/O Address Range** from 200H to 3F8H
- IRQ** 3, 4, 5, 6, 7, 9, 10, 11, 12, 15
- Data Bits** 5, 6, 7, 8
- Stop Bits** 1, 1.5, 2
- Parity** None, even, odd
- UARTs** 1 x 16C554 (PCL-849A/849B/849L)
1 x 16C654 (PCL-849+)
- Speed** 50 ~ 921.6 Kbps (PCL-849A)
50 ~ 307.2 Kbps (PCL-849B/849+)
50 ~ 115.2 Kbps (PCL-849L)
- Data Signals** TxD, RxD, RTS, CTS, DTR, DSR, DCD, RI, GND
- Surge Protection** 3000 V_{DC} (PCL-849B/849+)
- Power Requirements** +5 V @ 250 mA typical, 500 mA max.
±12 V @ 70 mA typical, 120 mA max.
- Dimensions** 185 x 100 mm (7.3" x 3.9")
- Operating Temperature** 0 ~ 60° C (32 ~ 140° F)
- Storage Temperature** -25 ~ 80° C (-13 ~ 176° F)

- PCL-849+** 4-port high-speed RS-232 interface card w/ surge protection and 16C654 UART (DB-37 to 4 DB-25 cable included)
- PCL-849+/9** 4-port high-speed RS-232 interface card with surge protection and 16C654 UART (DB-37 to 4 DB-9 cable included)
- PCL-849L** 4-port RS-232 interface card (DB-37 to DB-25 cable included)
- PCL-849L/9** 4-port RS-232 interface card (DB-37 to DB-9 cable included)
- Opt4A** 4-port RS-232/422/485 cable with male DB-37 to DB-9 connector (30 cm length)

Pin Assignments



Ordering Information

- PCL-849A** 4-port high-speed RS-232 interface card (DB-37 to 4 DB-25 cable included)
- PCL-849A/9** 4-port high-speed RS-232 interface card (DB-37 to 4 DB-9 cable included)
- PCL-849B** 4-port high-speed RS-232 interface card w/ surge protection (DB-37 to 4 DB-25 cable included)
- PCL-849B/9** 4-port high-speed RS-232 interface card w/ surge protection (DB-37 to 4 DB-9 cable included)

1
IPPC & AWS

2
TPC

3
FPM

4
ATM

5
DA&C

6
cPCI

7
ADAM-3000

8
eConnectivity

9
ICOM

10
Software

11
UNO-2000/3000

12
VBOX

13
ADAM-4000

14
ADAM-5000

15
ADAM-6000

16
ADAM-8000