

INPUT CHARACTERISTICS:**MAN6-3C00P/MA6H-3C00P**

- VOLTAGE: 90 - 264 VAC FULL RANGE
- FREQUENCY: 47 - 63 Hz
- INPUT CURRENT: 21.0 /10.5A (90 / 180 VAC)
- INRUSH CURRENT: 30A/60A MAX. FOR 115/230 VAC PER MODULE

- **OUTPUT CHARACTERISTICS:**

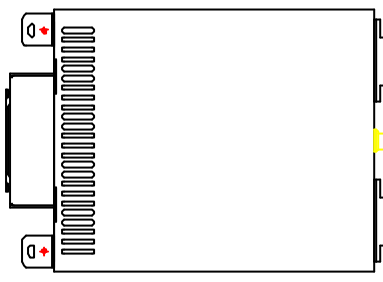
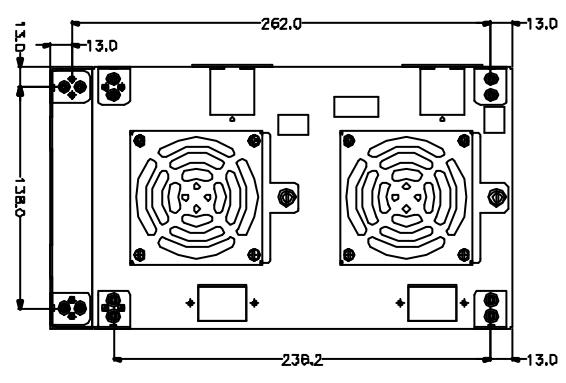
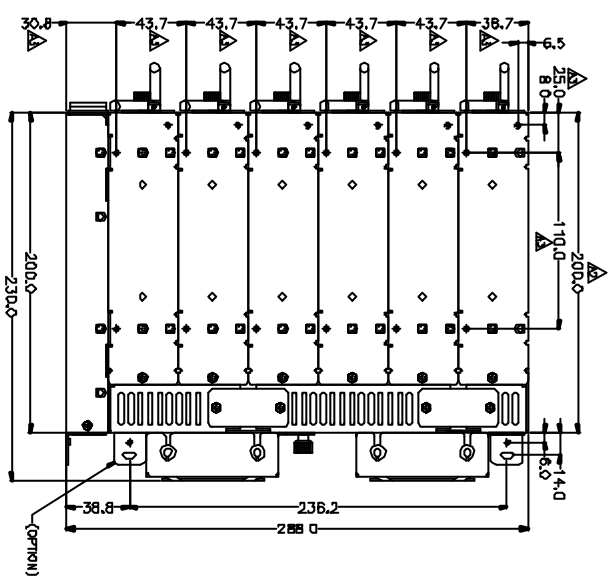
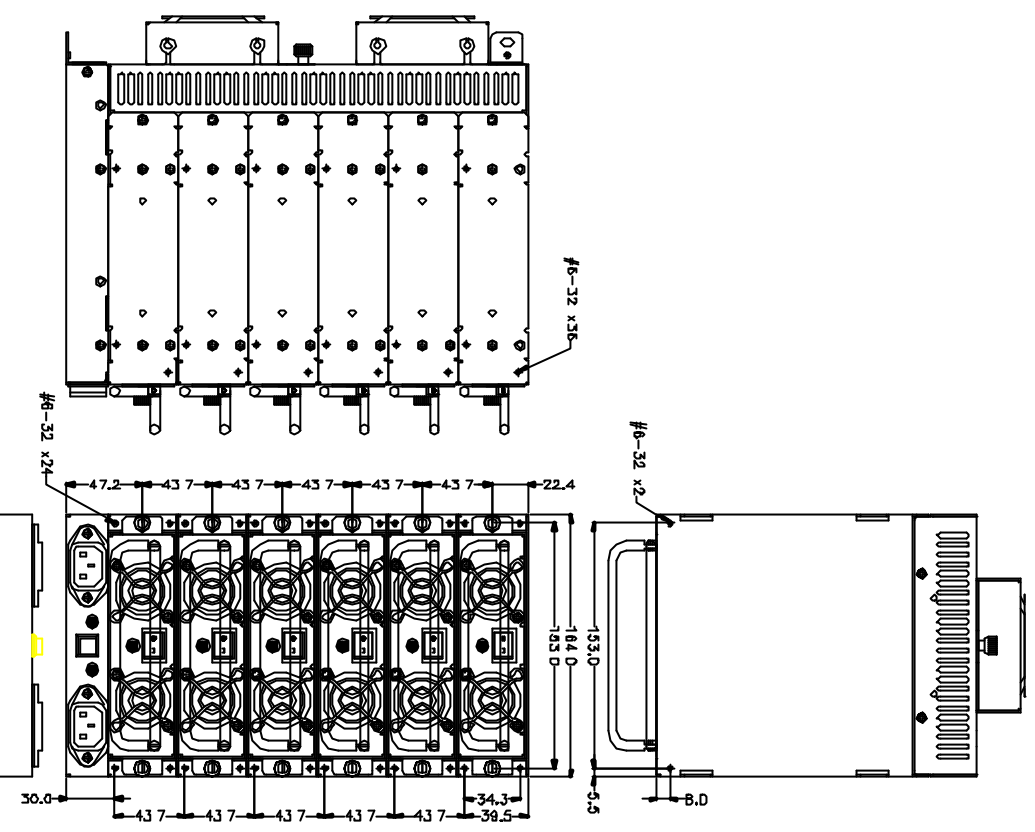
OUTPUT VOLTAGE	OUTPUT CURRENT		REGULATION		OUTPUT
	MIN. [A]	MAX. [A]	LOAD	LINE	RIPPLE & NOISE MAX. [P-P]
5V	10	125	± 5%	± 1%	50mV
12V	4.0	90	± 6%	± 1%	100mV
+5VSB	0	2.5	± 5%	± 1%	50mV

REMARKS: MAX. TOTAL OUTPUT: 1200W

SPECIFICATION:

- TEMPERATURE RANGE: OPERATING 0 --- 40
- HOLD UP TIME: 16 ms MINIMUM AT FULL LOAD & NORMAL INPUT VOLTAGE
- DIELECTRIC WITHSTAND: INPUT / OUTPUT 1500 VAC FOR 1 SECOND
INPUT TO FRAME GROUND 1500 VAC FOR 1 SECOND
- EFFICIENCY: 68% TYPICAL
- POWER GOOD SIGNAL: ON DELAY 100 ms TO 500 ms
- OVER LOAD PROTECTION: 130 +/- 20%
- OVER VOLTAGE PROTECTION: **+5V → 5.74V ~ 7V, 12V → 14.3V ~ 15.6V, 5VSB → 5.74 ~ 7V**
- SHORT CIRCUIT PROTECTION: **Shut down and latch off**
- EMI NOISE FILTER: FCC CLASS B, CISPR22 CLASS B
- SAFETY: MEET UL 1950, CSA 22.2 MP/ 950, TÜV IEC 950
- REMOTE ON / OFF CONTROL
THE UNIT SHALL ACCEPT A LOGIC OPEN COLLECTOR LEVEL WHICH WILL DISABLE / ENABLE ALL THE OUTPUT VOLTAGE (EXCLUDE +5V STANDBY), AS LOGIC LEVEL IS LOW, OUTPUTS VOLTAGE WERE ENABLE, AS LOGIC LEVEL IS HIGH, OUTPUTS VOLTAGE WERE DISABLE.
- N + 1 REDUNDANCY FUNCTION
- HOT-SWAPPABLE FUNCTION
- CURRENT / BALANCE LOAD SHARING DESIGN
- 12V / 5V REMOTE SENSING
- ISOLATION: BUILT-IN IN EACH POWER MODULE
- COOLING: TWO 40mm DC FANS IN EACH MODULE & TWO 80mm DC FANS IN POWER CHASSIS
- DIMENSION: 230 (D) x 164 (W) x 288 (H) mm (MAN6); 230 (D) x 356 (W) x 137.7 (H) (MA6H)

REV.	REVISIONS	DATE
A2	增加加長	MAR/11/99
A3	增加側面抽牙孔	EC-20-1999



管理公差: TOLERANCES:	XXX ±.025 XX ±.100 X ±.250
檢驗法: INSPECTION:	第三角法 3RD ANGLE

材料規格: MATERIAL:	核准者: APPROVED BY:	日期: DATE:
修改者: CHECK BY:	核准者: DRAW BY:	日期: DATE:

新巨企業股份有限公司
ZIPPY TECHNOLOGY CORP.
TOWER DIVISION

品名: MNRN6 外觀尺寸圖 (1)
圖號: MNRN6MA00
單位: mm

核准者: MNRN6MA00
核准者: MNRN6MA00
圖號: A3
圖號: A0