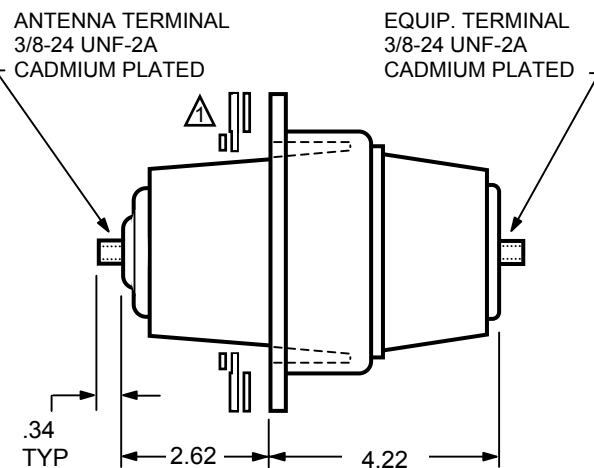
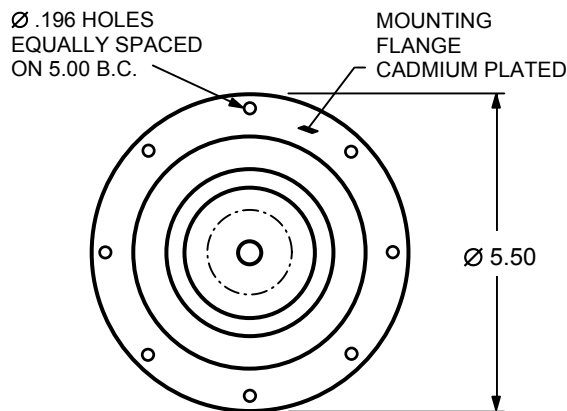
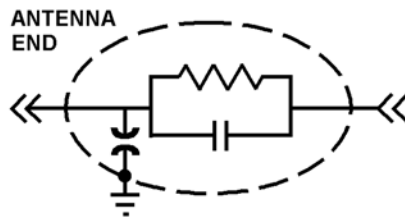


Data Sheet

AIRCRAFT ANTENNA LIGHTNING ARRESTER

PART NO. 1912-02

Controlling Specifications	MIL-A-9094C
National Stock Number (NSN)	5920-01-342-9926
Spark Gap Voltage, 2 MHz	10.0 ±.5 kVpk
Insulation Withstand at Max Altitude	11.0 kVpk
Maximum Altitude	50,000 feet
Frequency Range	2 - 36 MHz
Maximum RF Current, 2 MHz	15 A rms
Minimum Series Capacitance	2.0 nF
Capacitor Withstand Voltage	26 kVdc
Maximum Shunt Capacitance	18.0 pF
Series Bleed Resistance	1.0 MΩ
Resistance Tolerance, factory new	±15%
Resistance Tolerance, in use	±20%
Lightning Stroke Discharge Capacity	12 Strokes (MIL-A-9094C)
Maximum Weight	4.0 lbs
Temperature Range, operating	-55 to +85C
Arrester Schematic	



▲ SEALING KIT COMPONENTS INCLUDED:
 24004-10 SMALL SEALING GASKET
 24018 LARGE SEALING GASKET
 35749 SEALING PLATE