

EPC-2000 Series

Programmable Embedded Controller with Intel® Atom™ D525 Platform

EPC-2020



EPC-2030



Features

- **Fanless, Cable-less and Modularized Design**
- Wide Range DC Power Input (10 ~ 30V)
- Rich Onboard I/O and Expansion Slots (Max. 2 x PCIe x1 Slots, 1 x PCI Slot)
- RS-485 Auto-flow Control Supported
- Easy Installation/Maintenance
- Intel® SSD Compatible

System

CPU	Soldered onboard Intel® Atom™ D525 1.8GHz processor
Memory	Soldered onboard DDR3 2GB SDRAM
Chipset	Intel® ICH8M
Graphics	Integrated with Intel® GMA 3150
LAN Chipset	2 x Intel® 82574L PCIe controllers
Watchdog Timer	1~255 level reset
I/O	
Serial Port	4 x DB-9 male connectors (COM1~2: RS-232, COM3~4: RS-232/422/485 selectable)
USB Port	4 x USB type A connectors for USB 2.0 ports
LAN	2 x RJ-45 Gigabit Ethernet ports
Video Port	1 x DB-15 female connector for Analog RGB 1 x DB-26 male connector for dual channel 24-bit LVDS port
Audio	Mic-in/Line-out with Realtek ALC886 HD Audio CODEC
KB/MS	PS/2 interface Keyboard/ Mouse via Y-cable
Expansion Bus	Max. 2 x PCIe x1 slots 1 x PCI slot

Environmental

Operating Temp.	-20 ~ 60°C (-4 ~ 140°F), ambient with air flow
Storage Temp.	-40 ~ 85°C (-40 ~ 185°F)
Relative Humidity	10 ~ 95% @ 40°C (non-condensing)
Vibration	3Grms/5 to 500Hz/random operation, with SSD Operating 20G (11ms), Non-operating 40G with HDD
Shock & Crash	Operating 40G (11ms), Non-operating 60G with CFast/SSD Crash 80G (11ms)

Qualification

Certification CE, FCC

Power Requirement

Power Input DC 10 ~ 30V input (w/ 3-pin terminal block)

Power Consumption 60W (Max.)

Storage

Type 1 x 2.5" drive bay for SATA interface HDD/SSD supporting 300MB/s HDD transfer rate
1 x CFast socket

Mechanical

Construction Aluminum alloy

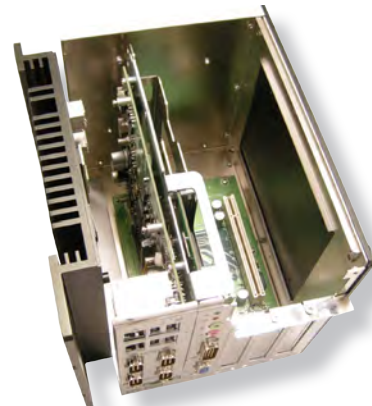
Mounting Wall-mount/Din rail mounting

Weight Max. 2.92 kg (6.42 lb)

Dimensions (W x D x H) EPC-2020: 164 x 192 x 120 mm (6.46" x 7.56" x 4.72")
EPC-2030: 164 x 192 x 140 mm (6.46" x 7.56" x 5.51")

Ordering Information

EPC-2020	EPC-2000 with 1 x PCIe x1 slot & 1 x PCI slot
EPC-2030	EPC-2000 with 2 x PCIe x1 slots & 1 x PCI slot

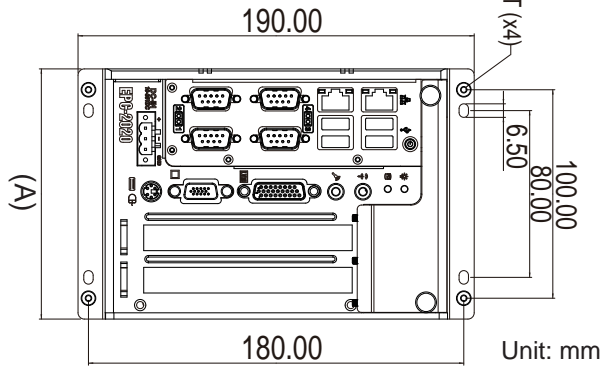
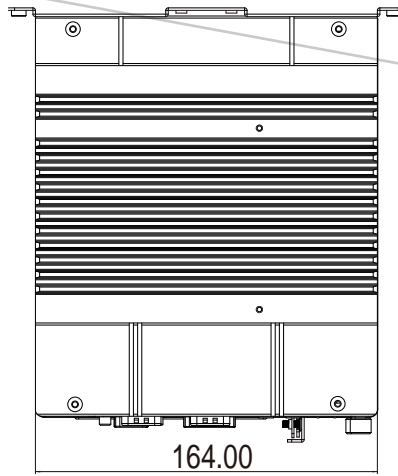
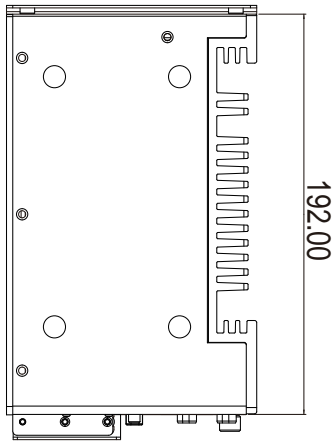


»Fanless,Cable-lessDesign

All specifications are subject to change without notice.

Dimensions

EPC-2000 Series



Dimensions	
Model	(A)
EPC-2020	120mm
EPC-2030	140mm

» Fast , Tool-free Installation CFast & HDD



Thumbscrew Design for Easy, Tool-free Installation



Easily Remove Top Cover by Hand



2.5" Hard Disk Drive



CFast Card Installation

EPC-2000 Series

Programmable Embedded Controller with Intel® Atom™ D525 Platform

Standard Accessories

WMK-2000

Wall-mount kit for EPC-2000 Series



Material

SPCC+Ni

Dimensions (W x D x H)

120 x 4.2 x 190 mm
(4.72" x 0.17" x 7.48")

Optional Accessories

PAC-B065W

65W AC/DC adapter kit



Power Input

100 ~ 240 VAC

Power Output

19VDC, 3.4A, 65W

Brand/Type

Intel / 2.5 inch

Interface

SATAII

Capacity

80GB

Dimensions (W x D x H)

100.45 x 69.85 x 9.5 mm
(3.95" x 2.75" x 0.37")

SSD-25080

Intel® 2.5" 80GB SATAII SSD kit



DRK-2000

Din rail mounting kit for EPC-2000 Series



Material

SPCC+Ni, Al6063

Display Compatibility

Din Rail 35 mm

TML-96

96-pin Din Rail Mountable Screw Terminal



TML-37

37-pin Din Rail Mountable Screw Terminal



CBL-96-1.5P

1.5M length Shielding Cable with 96-pin Half-pitch Connector at Each End



CBL-37-1.5P

1.5M length Shielding Cable with 37-pin D-type (M) Connector at Each End



Optional Configuration (CTOS* Kit)

DIO-16/16L(PCI)H

16-CH Input / 16-CH Output Isolated Digital I/O Board for PCI



Digital Input

16 ch (opto-isolation)

Digital Output

16 ch (opto-isolation)

Interface

PCI

DIO-32/32L(PCI)H

32-CH Input / 32-CH Output Isolated Digital I/O Board for PCI



Digital Input

32 ch (opto-isolation)

Digital Output

32 ch (opto-isolation)

Interface

PCI

COMM-2PD(PCI)H

2-CH Isolated RS-422A/485 Communication I/O Board with Isolation for PCI



Serial Port

2 x isolated RS-422A/485 serial ports

Interface

PCI

*CTOS means Configure to Order Service.