

REV. Status

ISSUE 1  
4/28/92 YN

ISSUE 2  
REFORMATTED  
TEMECULA  
WAS CARSON  
9/11/95 DS

ISSUE 3  
ADDED NAMEPLATE  
04/10/96 DS

1. Electrical specifications

- 1.1 Input voltage: AC 120V ±10% 60 Hz ±0.5 Hz
- 1.2 Output voltage and current: AC 10V at 2000mA

V <sub>in</sub>	2000mA Load	200mA Load
108	8.2 VAC MIN	-
120	9.4-10.5 VAC	11.9 VAC MAX
132	-	13.1 VAC MAX

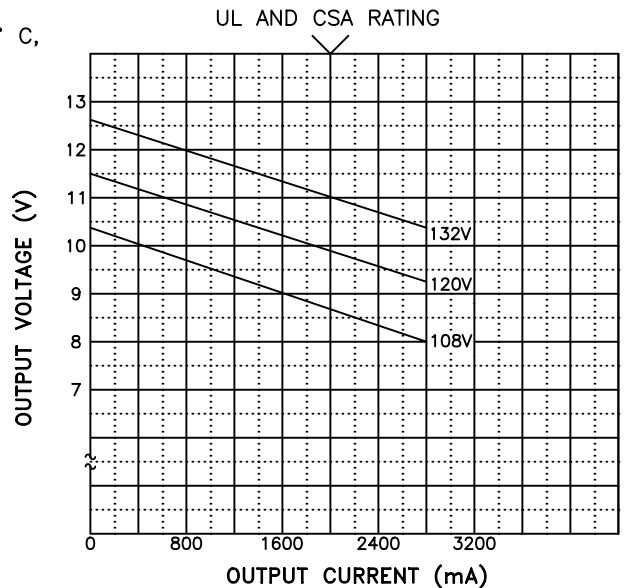
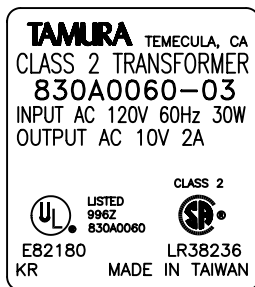
NOTE: Specification applies after 10 minutes warm-up with 2000mA load and at any operating temperature

- 1.3 Operating temperature: 0 ° C to +40 ° C
- 1.4 Storage temperature: -20 ° C to +85 ° C
- 1.5 Operating and Storage Humidity: 0 to 95% without condensation
- 1.6 Withstand voltage: AC 1500Vrms 1 minute @ input to output
- 1.7 Input earth prong is connected to output "G" terminal

2. Typical performance data test condition: T<sub>a</sub> = +25° C, measured after 10 minute warm-up with input at 120V 60Hz

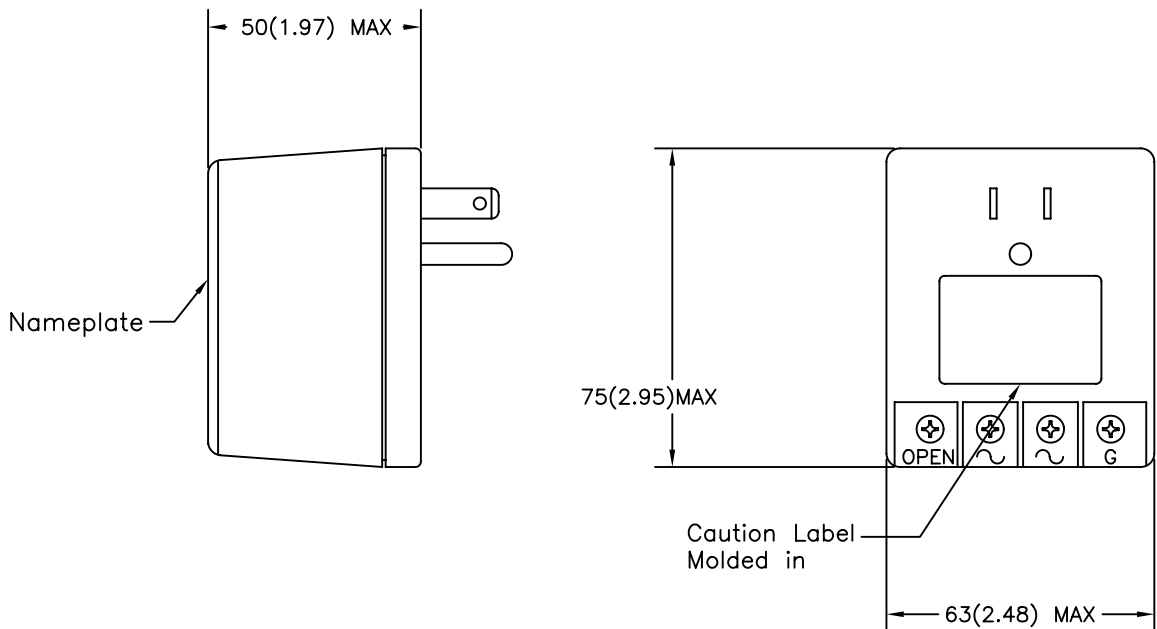
3. Safety agencies  
UL File No. E82180  
CSA File No. LR38236

4. Nameplate: Information is as follows:  
Metallic letters on a black background



5. Mechanical Specifications;

All dimensions shown are nominal unless otherwise specified



PREPARED BY:

K. Brennan

ENGINEER:

S. Suzuki

QUALITY CONTROL:

D. Kelley

APPROVED:

M. Ong

DWG CONTROL NO. P-A7-10672  
ACAD\PS\A7106721.DWG

REV B

UL/CSA AC 10V 2000mA  
POWER SUPPLY

830A0060-03

MODEL SPECIFICATION

CONTENTS OF THIS DRAWING ARE SUBJECT TO CHANGE WITHOUT PRIOR NOTICE

**TAMURA CORPORATION OF AMERICA**  
43352 BUSINESS PARK DRIVE, TEMECULA, CA. 92590-6624  
(909) 699-1270 FAX 9096769482

DIM: mm(In) SCL: NONE SH: 1 OF 1

PROPRIETARY NOTICE: THIS DRAWING PRINT OR DOCUMENT AND SUBJECT MATTER DISCLOSED HEREIN ARE PROPRIETARY ITEMS TO WHICH TAMURA RETAINS THE EXCLUSIVE RIGHT OF DISSEMINATION, REPRODUCTION, MANUFACTURE AND SALE. THIS DRAWING, PRINT OR DOCUMENT IS SUBMITTED IN CONFIDENCE FOR CONSIDERATION BY THE RECIPIENT ALONE UNLESS PERMISSION FOR FURTHER DISCLOSURE IS EXPRESSLY GRANTED IN WRITING.