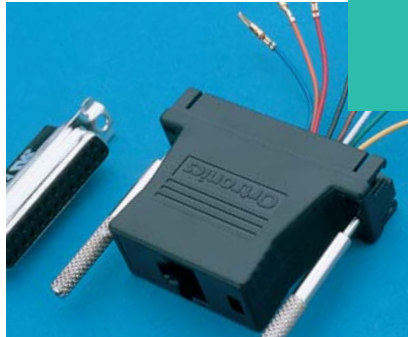


# Adapters and Converters

Multi-Jak Adapters . . . . .	.86
Modular to Telco Adapters . . . . .	.86
Telco Adapters . . . . .	.86
Baluns . . . . .	.87
Data Adapters . . . . .	.88

Ortronics offers a full range of adapters and cable assemblies that provide connections for voice switching equipment, terminal devices and peripherals. These products provide splitting, bridging, gender changing and balun capability as well as conversion from 25-pair to modular jack.



## Multi-Jak Adapters



OR-812045640

Ortronics Multi-Jak adapters provide connections between a 25-pair connector and four, six or eight-conductor line cords for single line stations, voice/data communication systems and computer interface hook-ups. The Multi-Jak product uses a rugged plastic housing.

PART NUMBER	DESCRIPTION	DIMENSIONS
<b>OR-812045640</b>	Female 25-pair connector to six (8P8C) T568B jacks	4.43" x 1.587" x 1.024"
<b>OR-812045641</b>	Male 25-pair connector to six (8P8C) T568B jacks	4.43" x 1.587" x 1.024"
<b>OR-812045642</b>	Female 25-pair connector to 12 USOC (6P4C) jacks	7.91" x 1.587" x 1.024"
<b>OR-812045643</b>	Male 25-pair connector to 12 USOC (6P4C) jacks	7.91" x 1.587" x 1.024"
<b>OR-812045644</b>	Female 25-pair connector to six USOC (6P4C) jacks	4.43" x 1.587" x 1.024"
<b>OR-812045645</b>	Male 25-pair connector to six USOC (6P4C) jacks	4.43" x 1.587" x 1.024"
<b>OR-812045646</b>	Female 25-pair connector to eight USOC (6P6C) jacks	5.413" x 1.587" x 1.024"
<b>OR-812045647</b>	Male 25-pair connector to eight USOC (6P6C) jacks	5.413" x 1.587" x 1.024"

## 4 and 6 Pin Modular Adapter Kits



Ortronics 4- and 6-Pin Adapter Kits allow conversion from a male 25-pair cable to a two or three-pair modular jack. The kit format provides maximum pinning flexibility for special applications.

PART NO.	DESCRIPTION
<b>OR-8120M153AMX4KIT</b>	Adapter Kit, 25-pair male to 4-pin modular jack
<b>OR-8120M153AMX6KIT</b>	Adapter Kit, 25-pair male to 6-pin modular jack

## Bridging Adapter



Ortronics Bridging Adapters are used for the loop concept of the 416 Com-Key system, additions of extension key phones, phased PBX cutovers, and extending connector cables. Cables can enter/exit from either end of the reversible cover. The housing is UL94 thermoplastic.

PART NO.	DESCRIPTION
<b>OR-81401925201</b>	CPC Connector Arrangement (COMCODE #400 000 220)
<b>OR-81401925202</b>	PCP Connector Arrangement (COMCODE #400 000 238)
<b>OR-81401925203</b>	PPP Connector Arrangement (COMCODE #996 131 363)
<b>OR-81401925204</b>	CCC Connector Arrangement (COMCODE #401 496 062)

**Note:** C=female, P=male

## Y-Type Bridging Adapter



Ortronics Y-Type Bridging Adapters are used for splitting a single 25-pair cable into two identical signal carriers. The standard length of the 24 AWG cable is 14".

PART NO.	DESCRIPTION
<b>OR-8140251401</b>	CPC
<b>OR-8140251402</b>	PCP
<b>OR-8140251403</b>	PCP
<b>OR-8140251404</b>	CCC

**Note:** C=female, P=male

## Double-Ended Feed-Through Adapter (Goof Plug)



The Ortronics Double-Ended Feed-Through Adapter interconnects telephone cables that would otherwise be un-mateable. They interconnect two plug-ended or two connector-ended cables.

PART NO.	DESCRIPTION
<b>OR-8150025CC</b>	(COMCODE #403 617 798)
<b>OR-8150025PP</b>	(COMCODE #403 617 780)

**Note:** C=female, P=male

All Ortronics product dimensions are listed by width, height and depth unless specified otherwise.

## Extended Distance Coaxial Baluns



Ortronics Extended Distance Coaxial Baluns convert RG62 (93-ohm) coax (BNC) to unshielded twisted pair cable using an RJ45 modular interface. These baluns can be used in regular applications or when operating distances exceed normal distance limitations. The balun maximizes the transmission distance in 24 AWG Type 3 media to 2,200' (670.6 m), maintaining the integrity of the signal. All coaxial baluns are BNC male and are designed for use in an IBM® 3270 or 3174 Category A 93 Ohm RG62 computer environment.

PART NO.	MODULAR JACK	ACTIVE PINS, PINS +
<b>OR-601002424</b>	RJ11, 6-Position	Pins 3 and 4
<b>OR-601002556</b>	RJ11, 6-Position	Pins 2 and 5
<b>OR-601002557</b>	RJ45 Keyed, 8-Position	Pins 4 and 5
<b>OR-601002558</b>	RJ45 Keyed, 8-Position	Pins 2 and 1

## Gender Changer



The Ortronics Gender Changer products allow cabling connections to be made between identical connector terminations where gender matching or correction is required.

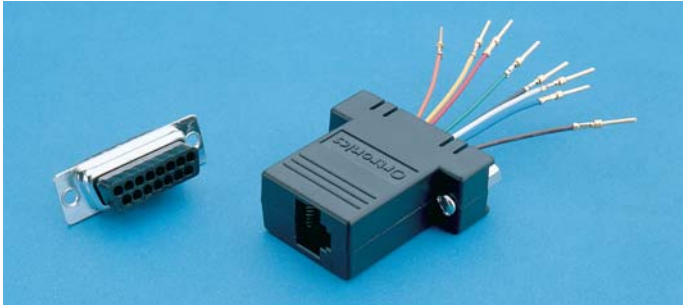
PART NO.	DESCRIPTION
<b>OR-802002001</b>	Male-Male
<b>OR-802002002</b>	Female-Female

### Slimline Version (Wired 1 to 1)

PART NO.	DESCRIPTION
<b>OR-202000014</b>	Male-Female
<b>OR-202000024</b>	Female-Female

# Adapters and Converters

## Data Adapters



Ortronics Data Adapters are interfaces between data terminal equipment (DTE) and data communications equipment (DCE). They are used for high density applications where width between ports is critical and dimensions are within the basic DB9, DB15 and DB25 envelope.

### 9-Pin Data Adapter

PART NO.	W: # OF WIRES, P: # OF POSITIONS	GENDER—M: MALE, F: FEMALE	# OF PINS
<b>OR-21109DA8MKIT</b>	8W x 8P	M	8
<b>OR-21109DA8FKIT</b>	8W x 8P	F	8

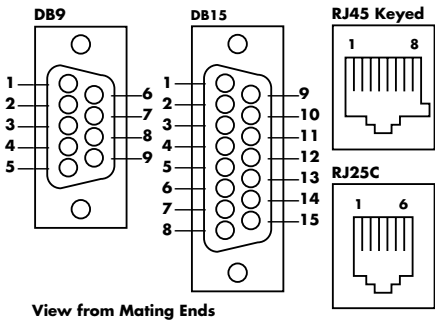
### 15-Pin Data Adapter

PART NO.	W: # OF WIRES, P: # OF POSITIONS	GENDER—M: MALE, F: FEMALE	# OF PINS
<b>OR-211015DA8MKIT</b>	8W x 8P	M	8
<b>OR-211015DA8FKIT</b>	8W x 8P	F	8

### 25-Pin Data Adapter

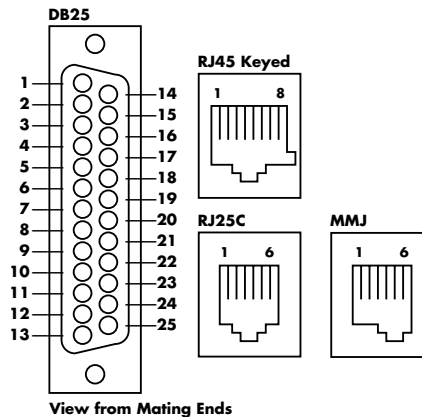
PART NO.	W: # OF WIRES, P: # OF POSITIONS	GENDER—M: MALE, F: FEMALE	# OF PINS
<b>OR-211025DA8MKIT</b>	8W x 8P	M	8
<b>OR-211025DA8FKIT</b>	8W x 8P	F	8

- Male D-Sub
- Female D-Sub



9- and -15-Pin Wiring Configurations

- Male D-Sub
- Female D-Sub



25-Pin Wiring Configuration