



# Sparkle Power Inc.

A Leading Power Supply manufacturer  
Web site: [www.sparklepower.com](http://www.sparklepower.com)



## ATX-300GT (For Pentium 4 and Athlon XP) 300 Watts ATX12V Switching Power Supply

### Features

- Complied with ATX and ATX12V standard
- High efficiency and reliability
- Remote On/Off function
- Internal 12V DC fan included
- Noise Killer (Thermal fan speed control function)
- Low noise and ripple
- Complies with FCC part 15 subpart J class B and CISPR 22 Class B
- Output over voltage, short circuit, and over current protection
- 100% Hi-pot, ATE, and burn-in tested
- Re-settable power shut down
- Approved by UL 1950, CSA C22.2 Level 3, TUV EN60950, Nemko (CB Report)

### Input Characteristics

**Input Range:** 95~132/180~264V AC, Manual-select

**Frequency:** 47~63Hz

**Input Current:** 10A (RMS) @115V AC, 5A (RMS) @230VAC

**Inrush Current:** 80A Max for 132V AC Cold Start

### Specification

- **Temperature Range:** Operating 0° C ~ +50° C on full load; storage & shipping -20° C ~ +65° C
- **Humidity:** 90% on operating and 95% on storage
- **Dielectric Withstand:** Primary to frame ground 1800V AC for 1 second
- **Efficiency:** 65% at minimum measured at nominal AC main voltage and frequency with maximum load on all output
- **Rise Time:** Less than 20ms on all outputs
- **Hold-up Time:** 16ms minimum at 115V/60Hz; 20ms minimum at 230V/50Hz input voltage
- **Power Good Signal:** Power on delay time 100 ms to 500 ms, off delay 1ms minimum (TTL and CMOS compatible)
- **Leakage Current:** Less than 3.5mA
- **MTBF:** 100,000 hours on maximum load at +25° C degree
- **Dimension (WxHxL):** 150x86x140mm/5.9"x3.4"x5.5" inches

### Output Characteristics

Output Voltage	Minimum Load	Maximum Load	Load Reg.	Line Reg.	Ripple & Noise
+3.3V	0.2A	7.5/20A	± 5%	± 1%	50mV P-P
+5V	2.0A	30/21.8A	± 5%	± 1%	60mV P-P
+12V	0.0A	13A	± 5%	± 1%	150mV P-P
-5V	0.0A	0.3A	± 10%	± 2%	120mV P-P
-12V	0.0A	0.8 A	± 10%	± 2%	150mV P-P
+5Vsb	0.0A	2.0 A	± 5%	± 1%	60mV P-P

\*+5V and +3.3V total output not exceed 175W

\*When +3.3V is load to 20A, the +5V maximum load is 21.8A

\*When +3.3V is load to 7.5A, the +5V maximum load is 30A

\*+3.3V, +5V, and +12V total output not exceed 280W

#### Sparkle Power Inc.

##### Main Office

1000 Rock Avenue  
San Jose, CA 95131  
TEL: 408-519-8888  
FAX: 408-519-9999  
E-MAIL: [info@sparklepower.com](mailto:info@sparklepower.com)

#### Sparkle Power Inc.

##### Los Angeles Office

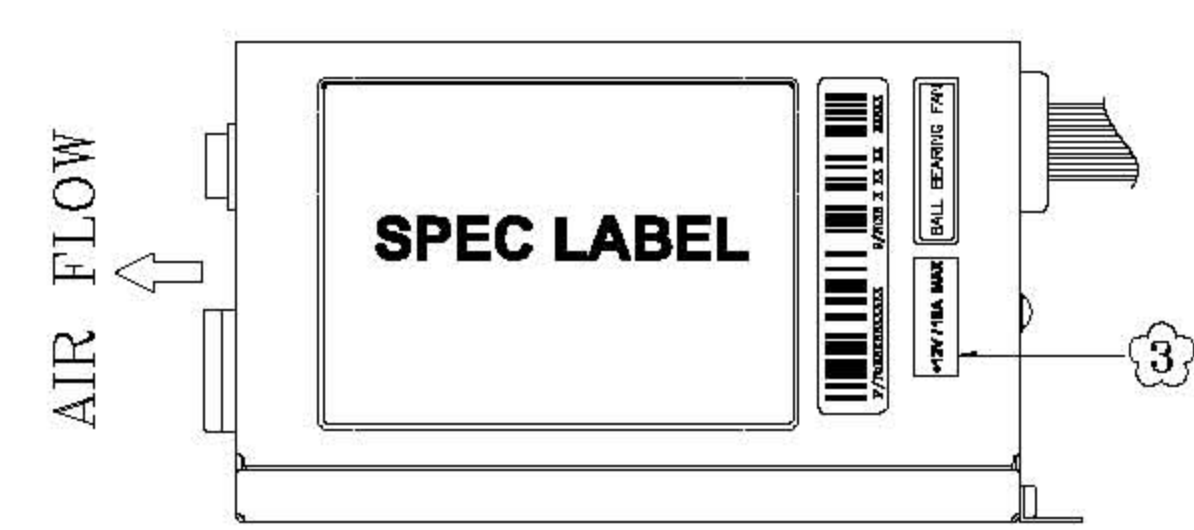
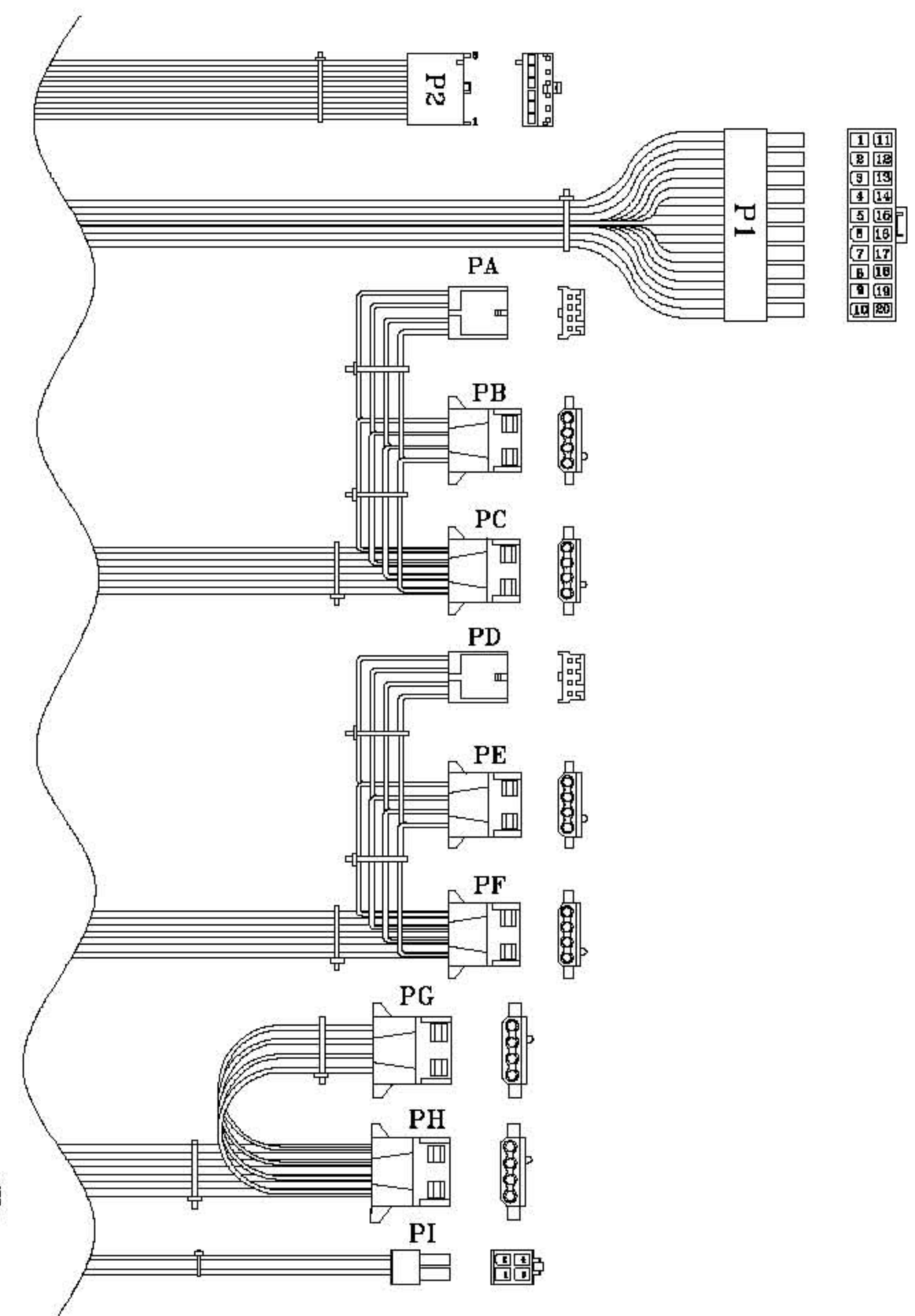
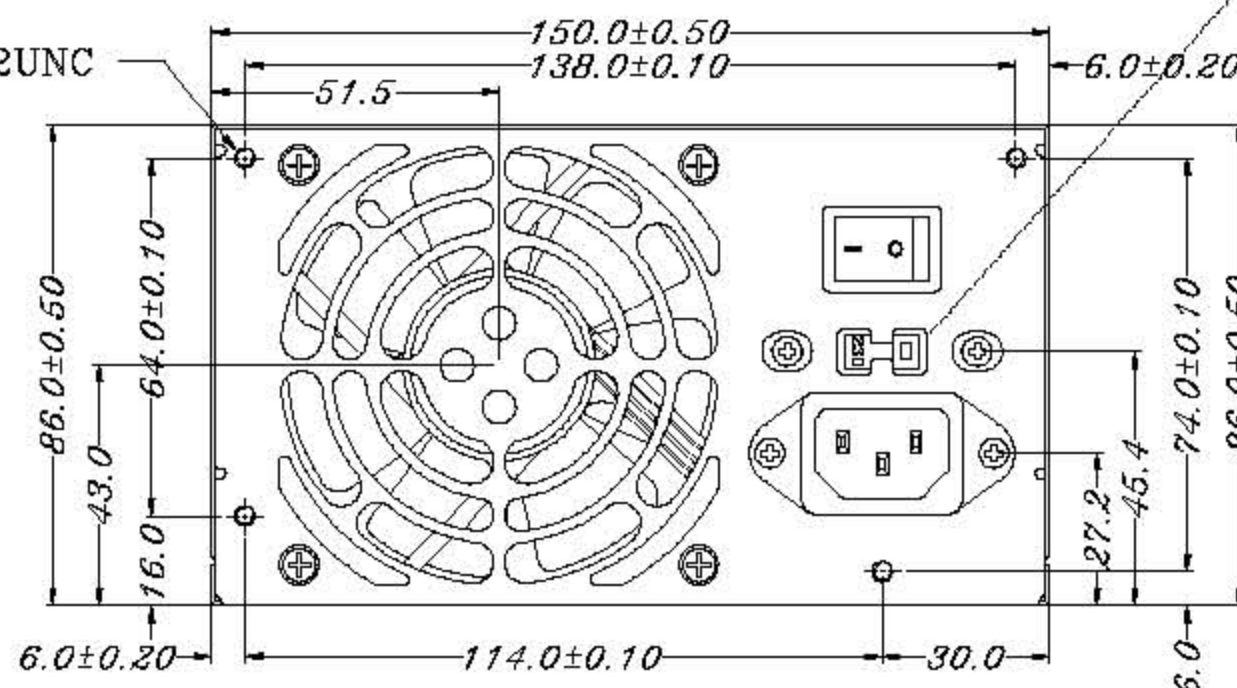
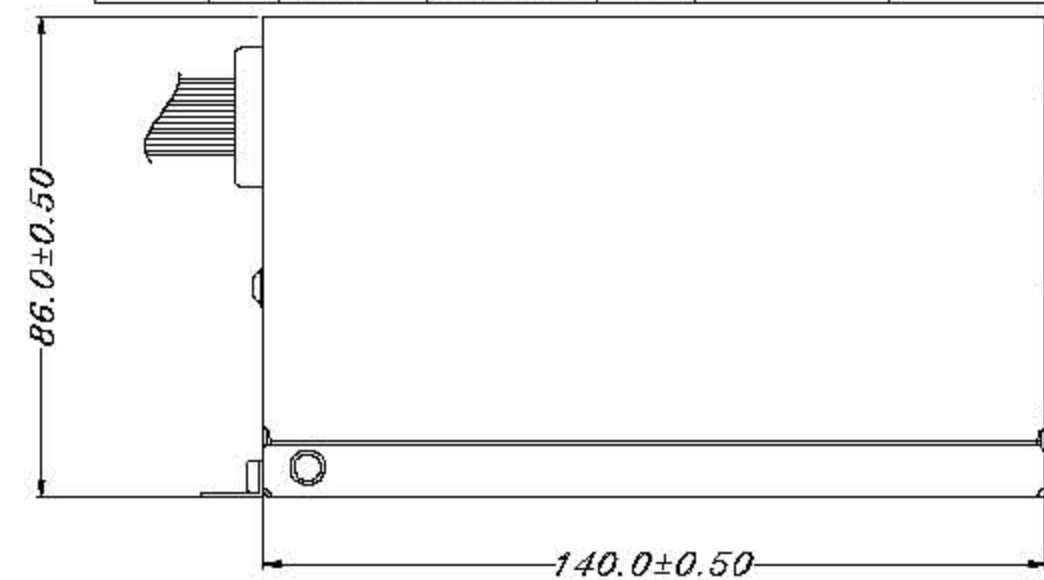
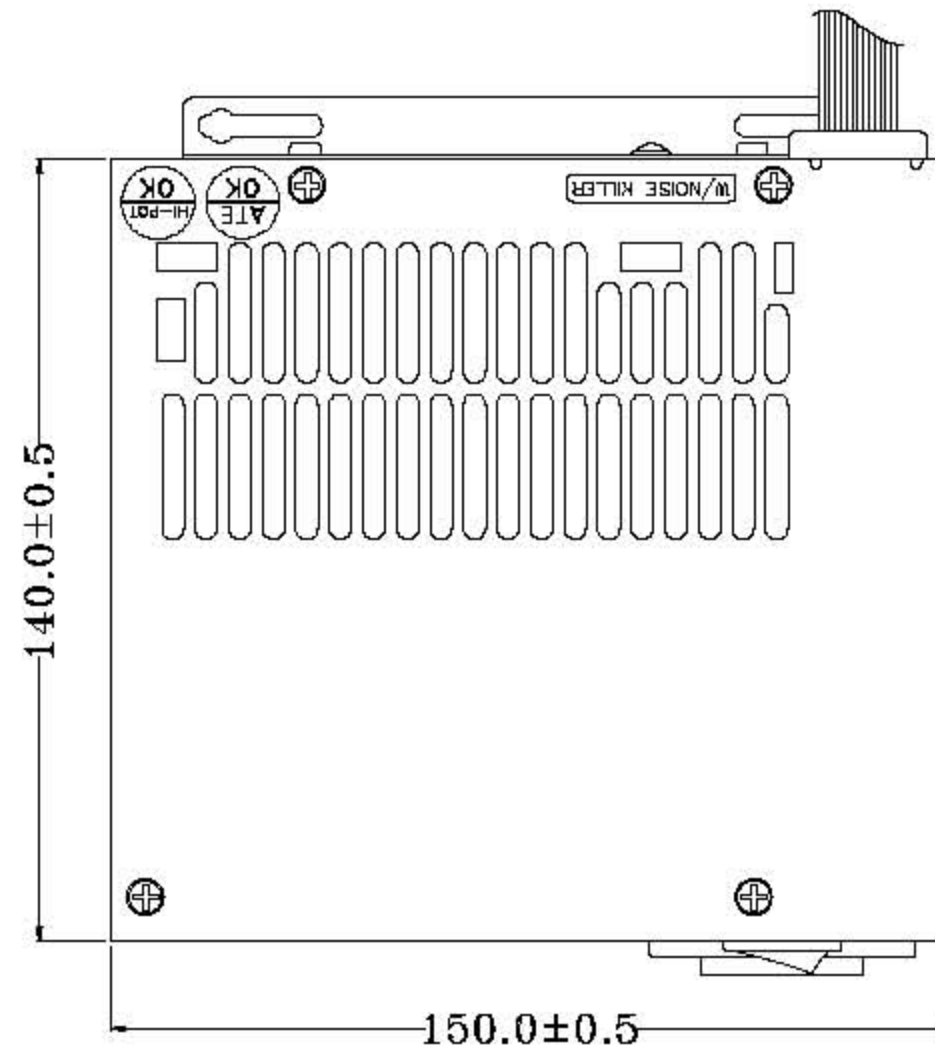
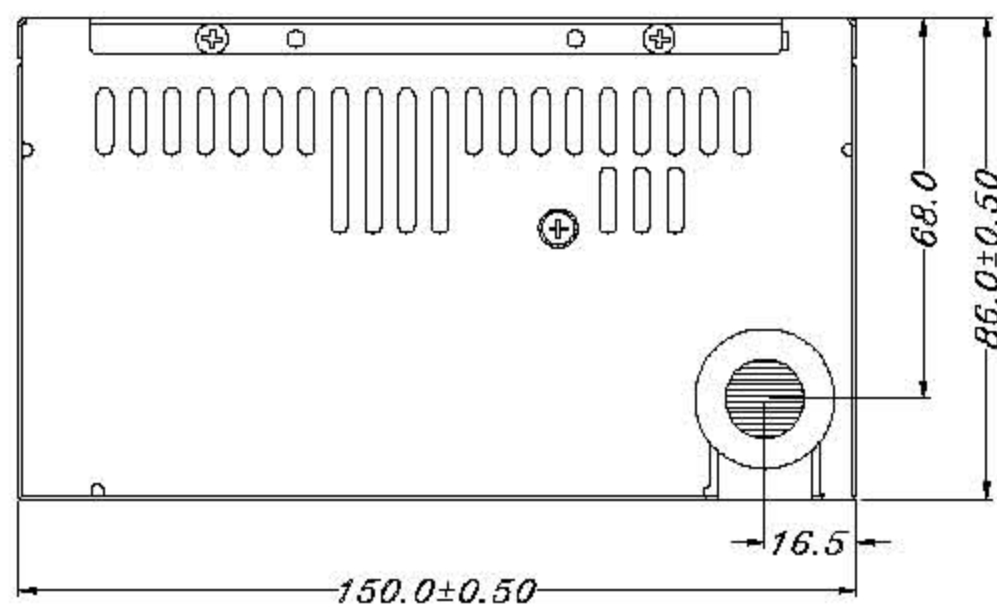
17071 Green Drive  
City of Industry, CA 91745  
TEL: 626-839-7180  
FAX: 626-839-3395

#### Sparkle Power Inc.

##### Colorado Office

1316 Indian Paintbrush Lane  
Longmont, CO 80503  
TEL: 303-776-3281  
FAX: 303-776-7645

REF. ID.	PIN NO.	SIGNAL	WIRE COLOR	GAUGE	CONNECTOR TYPE	CABLE LENGTH
P1	1	+3.3VDC	ORANGE	18	MOLEX 39-01-2200 or EQUIV.	500 <sup>+20</sup> <sub>-10</sub> mm
	2	+3.3VDC	ORANGE	18		
	3	COM	BLACK	18		
	4	+5VDC	RED	18		
	5	COM	BLACK	18		
	6	+5VDC	RED	18		
	7	COM	BLACK	18		
	8	PW-OK	GRAY	24		
	9	+5Vsb	PURPLE	24		
	10	+12VDC	YELLOW	18		
	11	+3.3V sense	ORANGE	20		
	12	-12VDC	BLUE	24		
	13	COM	BLACK	18		
	14	PS-ON	GREEN	24		
	15	COM	BLACK	18		
	16	COM	BLACK	18		
	17	COM	BLACK	18		
	18	-5VDC	WHITE	24		
	19	+5VDC	RED	18		
	20	+5VDC	RED	18		
P2	1	COM	BLACK	18	MOLEX 90331 or EQUIV.	500 <sup>+20</sup> <sub>-10</sub> mm
	2	COM	BLACK	18		
	3	COM	BLACK	18		
	4	+3.3VDC	ORANGE	18		
	5	+3.3VDC	ORANGE	18		
	6	+5VDC	RED	18		
PA	1	+12V	YELLOW	22	AMP 171822-4 or EQUIV.	200±10 mm
	2	COM	BLACK	22		
	3	COM	BLACK	22		
	4	+5V	RED	22		
PD	1	+12V	YELLOW	18	AMP 1-480424-0 or EQUIV.	390 <sup>+20</sup> <sub>-10</sub> mm
	2	COM	BLACK	18		
	3	COM	BLACK	18		
	4	+5V	RED	18		
PC	1	+12V	YELLOW	18	AMP 1-480424-0 or EQUIV.	200±10 mm
	2	COM	BLACK	18		
	3	COM	BLACK	18		
	4	+5V	RED	18		
PF	1	+12V	YELLOW	18	AMP 1-480424-0 or EQUIV.	200±10 mm
	2	COM	BLACK	18		
	3	COM	BLACK	18		
	4	+5V	RED	18		
PB	1	+12V	YELLOW	18	AMP 1-480424-0 or EQUIV.	200±10 mm
	2	COM	BLACK	18		
	3	COM	BLACK	18		
	4	+5V	RED	18		
PE	1	+12V	YELLOW	18	AMP 1-480424-0 or EQUIV.	200±10 mm
	2	COM	BLACK	18		
	3	COM	BLACK	18		
	4	+5V	RED	18		
PG	1	+12V	YELLOW	18	AMP 1-480424-0 or EQUIV.	390 <sup>+20</sup> <sub>-10</sub> mm
	2	COM	BLACK	18		
	3	COM	BLACK	18		
	4	+5V	RED	18		
PH	1	+12V	YELLOW	18	AMP 1-480424-0 or EQUIV.	390 <sup>+20</sup> <sub>-10</sub> mm
	2	COM	BLACK	18		
	3	COM	BLACK	18		
	4	+5V	RED	18		
PI	1	COM	BLACK	20	MOLEX 38-01-2040 or EQUIV.	500 <sup>+20</sup> <sub>-10</sub> mm
	2	COM	BLACK	20		
	3	+12V	YELLOW	20		
	4	+12V	YELLOW	20		



SPI P/N:ATX-300GT-B

P/N.:9PX3003006

NOTE:

- 1. ALL THE LENGTH OF OUTPUT WIRES EXCLUDE HOUSING.

UNIT:mm

MODEL NO. : ATX-300GT(S031)		TITLE: ASSY		SHEET: 1 OF 1		REV:03	
R&D	PE	DRAWN	DATE	APR.12.2005			
INTERIOR COUNTERSIGN:				Amy			