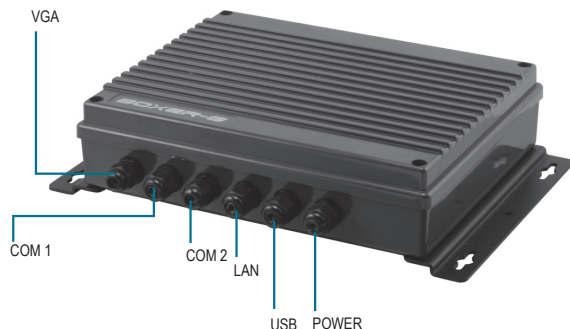


AEC-6510

IP-65 Washable Embedded Controller with AMD LX Processor

06

BOXER G Series - Fanless Embedded Controller Solutions



Features

- Fanless AMD LX800 Processor
- IP65 Protection
- COM x 2, VGA, LAN, USB
- Mini Size Outline
- Robust Architecture
- Low Power Consumption
- Built-in Connectors

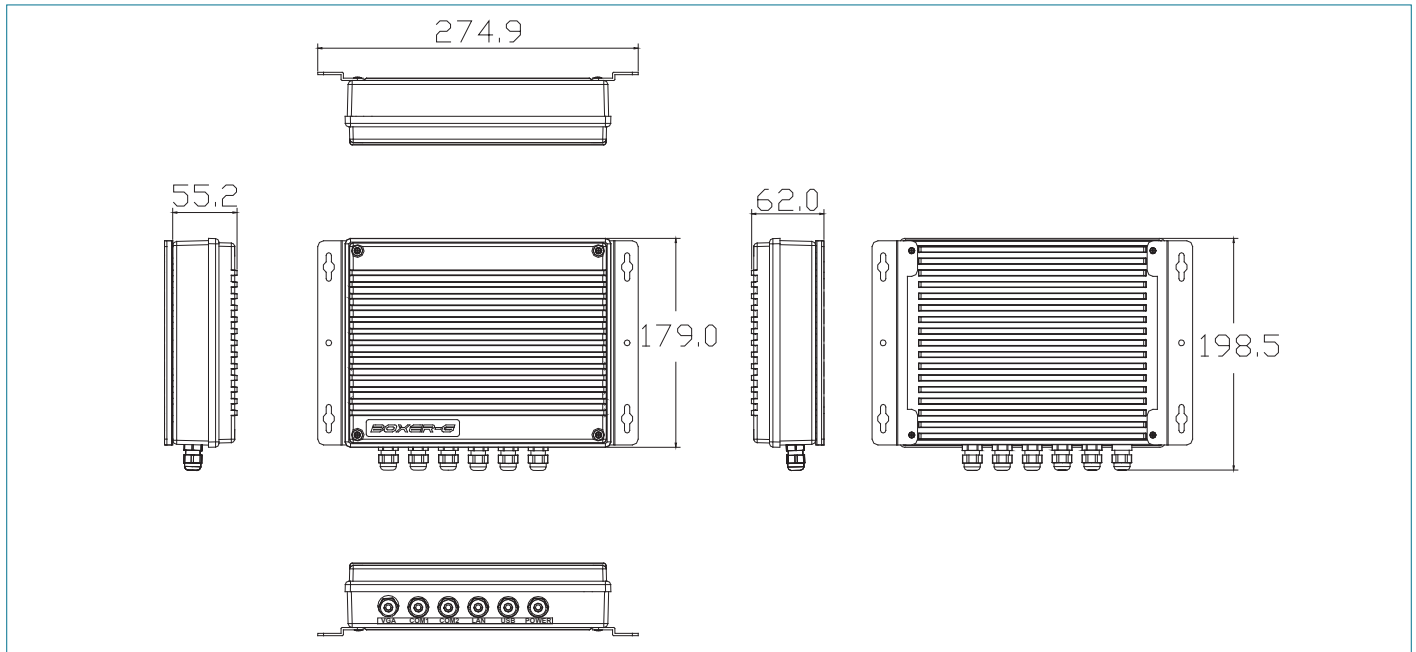


Specifications

System	
Processor	AMD Geode™ LX800 (500MHz)
System Memory	DDR333/400 SDRAM SODIMM X 1, Max. 512MB
VGA	DB-15 VGA x 1
Ethernet	10/100 Base-TX Ethernet, RJ-45 x 1
SSD	CompactFlash™ x 1 (Internal)
Serial	COM 1: RS-232 x 1; COM2: RS-232/422/485 x 1
USB	USB2.0 x 1
Watchdog Timer	Yes
Power Supply	1. DC Input: Input Voltage: 9V DC - 30V DC (3-pin Phoenix connector)
	2. AC Input: External AC power adapter (Optional) Input voltage: 100V AC ~ 240V AC
Power Consumption (Typical)	0.45A@12V
MTBF (Hours)	70,000
OS Support	Windows® CE 5.0, Windows® XP Pro, Windows® XP Embedded, Fedora Core
Mechanical	
Construction	Rugged Aluminum Alloy Chassis
Color	Black
Mounting	Wallmount
Dimension	10.8"(L) x 7.83"(H) x 2.44"(D) (275 mm x 199 mm x 62 mm)
Carton Dimension	13.23" (W) x 11.57" (H) x 10.24" (D) (336mm x 294mm x 260mm)
Net Weight	5.06 lb (2.3 Kg)
Environmental	
Water & Dust Proof	IP-65 Certified
Operating Temperature	-4°F ~ 158°F (-20°C ~ 70°C) (CompactFlash™)
Storage Humidity	5 ~ 90% @ 40°C, non-condensing
Vibration	5g rms/ 5 ~ 500Hz/ operation – CompactFlash™
Shock	50g peak acceleration (11 msec. duration) – CompactFlash™
EMC	CE/ FCC Class A

AEC-6510

Dimension Unit: mm



Ordering Information

- **TF-AEC-6510-A1-1010**
Embedded Controller, AMD LX800 500MHz, Fanless, DC9-30V, 2COM, 1USB, 1LAN, 1VGA, w/o Cable Kit

Optional Accessories

- **1757903602**
(TF) Power Adapter, 12V, 36W, FSP, FSP036-1AD101C, for AEC-6510/6520
- **1702031802**
Power Cord (US Type)
- **1702031803**
Power Cord (European Type)
- **170203180E**
Power Cord (Japanese Type)
- **1700080304**
LAN Cable for AEC-6520 & AEC-6510 (30cm)
- **1700100402**
USB Cable for AEC-6520/6510 (40cm)
- **1700150305**
VGA Cable for AEC-6520/6510 (30cm)
- **1700090307**
RS-232 Cable for AEC-6520/6510 (30cm)
- **1700090404**
DB-9 Cable for AEC-6520/6510 (30cm)