



## AMB-2427 / AMB-2457

INDUSTRIAL WORKSTATIONS

### ◀ AMB-2427

12.1" Flat Panel + ACS-2307 Control Box



### ▶ AMB-2457

15" Flat Panel  
+ ACS-2307 Control Box



### ▶ ACS-2307 Control Box

7-Slot PICMG backplane  
with 3 x PCI, 3 x ISA, 1 x PICMG Slots

# AMB-2427/2457 series

## Features

AMB-2427 series

- 12.1" SVGA color TFT LCD display
- Aluminum alloy front panel and heavy-duty steel chassis
- All-in-one FC-PGA Socket 370 SBC
- Memory up to 768MB
- Disk drive bay for slim CD-ROM, 3.5" FDD, and HDD
- Membrane keypad and finger mouse
- 3 x PCI, 3 x ISA, 1 x PICMG backplane
- Resistive touchscreen (optional)

## Specifications

AMB-2427 series

- **Construction** : Heavy-duty steel chassis & aluminum alloy front panel
- **Display** : 12.1" SVGA (800 x 600) color TFT LCD
- **CPU** : Supports Celeron 566MHz, up to Pentium® III 1.0GHz (FSB 66/100 MHz)
- **Memory** : Supports up to 768MB
- **LCD/CRT controller** : C&T 69000 VGA controller with 2MB SDRAM embedded. CRT & LCD panel support.
- **Network (LAN)** : Realtek RTL8139 Family 10/100 Base-T Ethernet controller
- **I/O ports** :
  - 2 serial ports : 1 x RS-232, 1 x RS-232/422/485 (jumper selection)
  - 1 parallel port (supports ECP/EPP)
  - 1 PS/2 keyboard interface
- **Disk Drive Housing** : Slim CD-ROM, 3.5" FDD, and 3.5" HDD
- **USB connector** : Dual USB pin header
- **Expansion Slots** : 3 x PCI, 3 x ISA, 1 x PICMG slots
- **Front panel color** : RAL-7035 (white)
- **Mounting** : Rack mount, 7U height
- **Power supply** : Universal 250W switching power supply
- **OS support** : MS DOS, Windows 98/SE, Windows NT4.0, Windows 2000
- **Dimension (W x H x D)** : 483 x 310 x 236mm (19" x 12.2" x 9.2" )
- **Carton Dimension (W x H x D)** : 615 x 385 x 457mm (24.2" x 15.1" x 17.9" )
- **Gross Weight** : 22.9 kg (50.5 lbs)

## Features

AMB-2457 series

- 15" XGA color TFT LCD display
- Aluminum alloy front panel and heavy-duty steel chassis
- All-in-one FC-PGA Socket 370 SBC
- Memory up to 768MB
- Disk drive bay for slim CD-ROM, 3.5" FDD, and HDD
- Membrane keypad and finger mouse
- 3 x PCI, 3 x ISA, 1 x PICMG backplane
- Resistive touchscreen (optional)

## Specifications

AMB-2457 series

- **Construction** : Heavy-duty steel chassis & aluminum alloy front panel
- **Display** : 15" XGA (1024 x 768) color TFT LCD
- **CPU** : Supports Celeron 566MHz, up to Pentium III 1.0GHz (FSB 66/100 MHz)
- **Memory** : Supports up to 768MB
- **LCD/CRT controller** : C&T 69000 VGA controller with 2MB SDRAM embedded. CRT & LCD panel support
- **Network (LAN)** : Realtek RTL8139 Family 10/100 Base-T Ethernet controller
- **I/O ports** :
  - 2 serial ports : 1 x RS-232, 1 x RS-232/422/485 (jumper selection)
  - 1 parallel port (supports ECP/EPP)
  - 1 PS/2 keyboard interface
- **Disk Drive Housing** : Slim CD-ROM, 3.5" FDD, and 3.5" HDD
- **USB connector** : Dual USB pin header
- **Expansion Slots** : 3 x PCI, 3 x ISA, 1 x PICMG slots
- **Front panel color** : RAL-7035 (white)
- **Mounting** : Rack mount, 8U height
- **Power supply** : Universal 250W switching power supply
- **OS support** : MS DOS, Windows 98/SE, Windows NT4.0, Windows 2000
- **Dimension (W x H x D)** : 483 x 355 x 236mm (19" x 14" x 9.2" )
- **Carton Dimension (W x H x D)** : 620 x 385 x 513mm (24.4" x 15.1" x 20.2" )
- **Gross Weight** : 25.5 Kg (56.2 lbs)

## Environmental Specifications

- **Operating temperature** : 0° to 45°C (32° ~ 113°F)
- **Storage temperature** : -20° to 60°C (-4 ~ 140°F)
- **Relative humidity** : 10 to 95% @ 40°C, non-condensing
- **Vibration** : 1G / 5 ~ 500Hz / random operation
- **Shock** : 10G, peak acceleration (11 msec. duration)
- **EMC** : CE / FCC Class A

## Power Supply

- **Input Voltage** : 85 ~ 265V AC @47~63Hz, switching

### 24V DC input 250W (optional)

- **Input Voltage** : 19 ~ 32V DC

## Touchscreen (optional)

**Type** : 8-wire, analog resistive

**Resolution** : 1024 x 1024

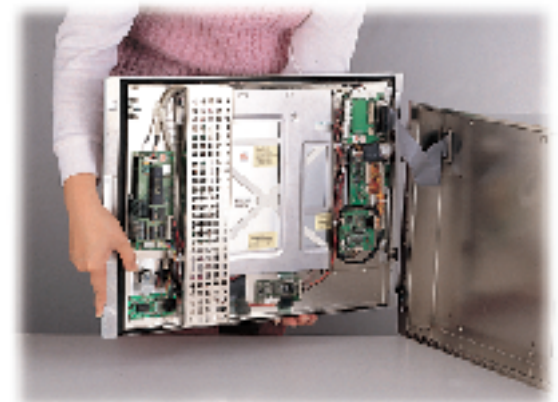
**Light transmission** : 75%

**Lifetime** : 1 million activations

**Controller** : RS-232 interface

## LCD Specifications

Model	AMB-2427	AMB-2457
Display type	12.1" color TFT LCD	15" color TFT LCD
Max. resolution	800 x 600	1024 x 768
Max. colors	256K	256K
Dot size(mm)	0.3075 x 0.3075	0.297 x 0.297
Luminance (cd/m <sup>2</sup> )	250 (TYP)	250 (TYP)
Viewing angle	120° (H)	160° (H)
	90° (V)	160° (V)
Operating temperature	0° ~ 45°C (32 ~ 113°F)	0° ~ 45°C (32 ~ 113°F)
Brightness Control	Digital	Digital
Back Light MTBF (Hrs)	50,000	50,000

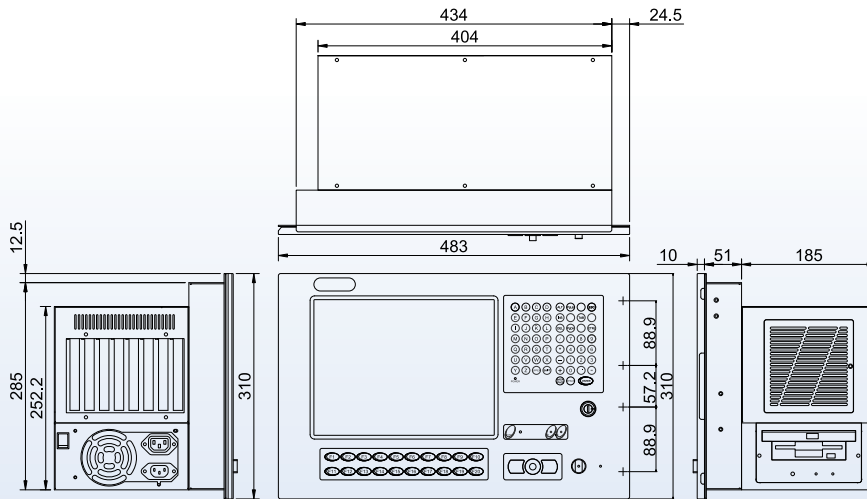


**Disassemble Front Panel from Control Box ▶  
for Easy Installation and Maintenance**

# AMB-2427/2457 series

## Dimension

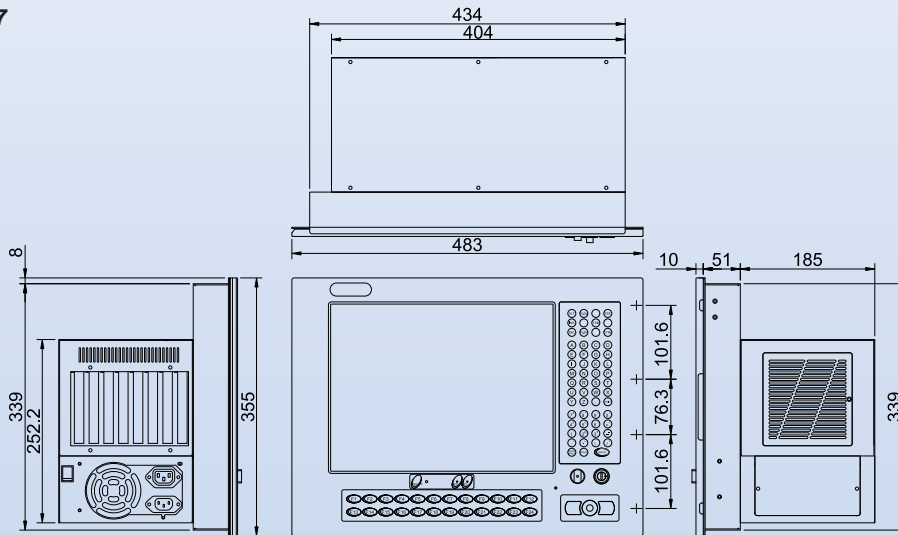
**AMB-2427**



Unit:mm

Cutout Size : 437\*288mm

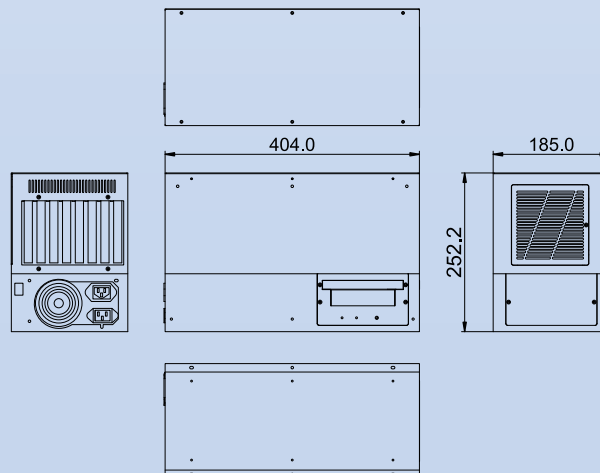
**AMB-2457**



Unit:mm

Cutout Size : 437\*342mm

**ACS-2307**



Unit:mm