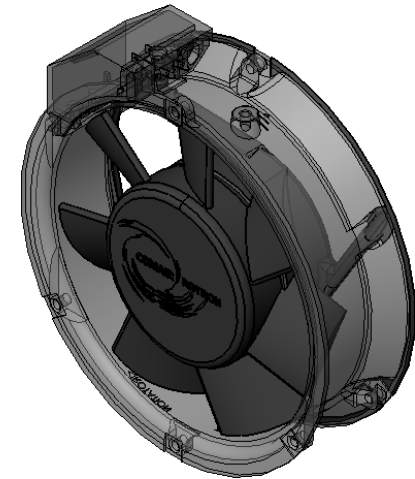
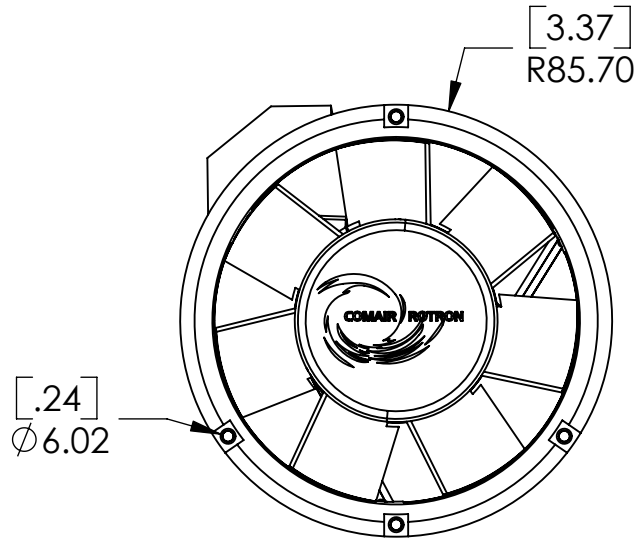
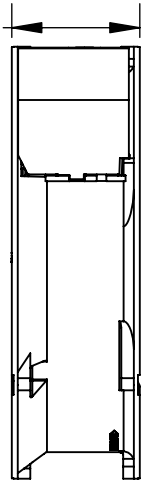


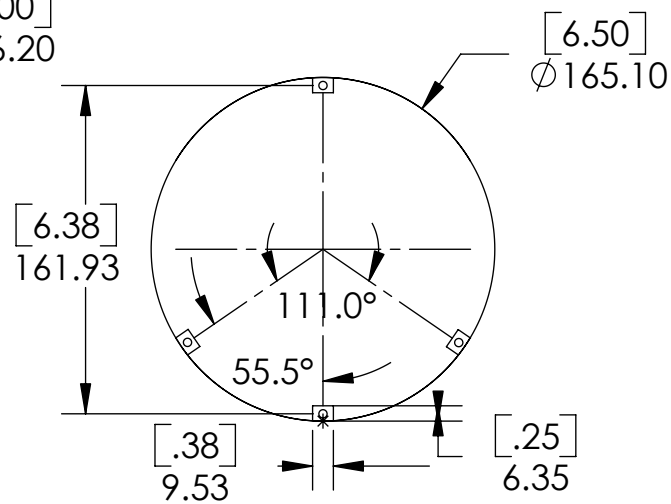
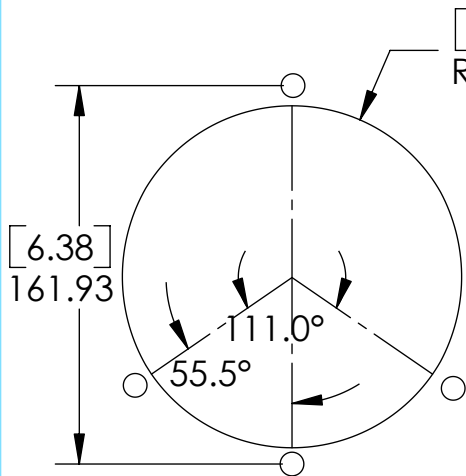
$2.00^{+.03}_{-.01}$
 $50.80^{+.80}_{-.30}$



RECOMMENDED CUTOUTS

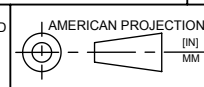
INLET (PROP) SIDE

EXHAUST (SPIDER) SIDE



CONTACT INFO:
 WWW.COMAIRROTRON.COM SALES@COMAIRROTRON.COM

TOLERANCE UNLESS OTHERWISE SPECIFIED
 2 PL. DEC. ± .03 [.8]
 3 PL. DEC. ± .010 [.25]
 ANGULAR ± 30'



(619) 661 - 6688
 3D MODEL FOUND AT..

PATRIOT AC