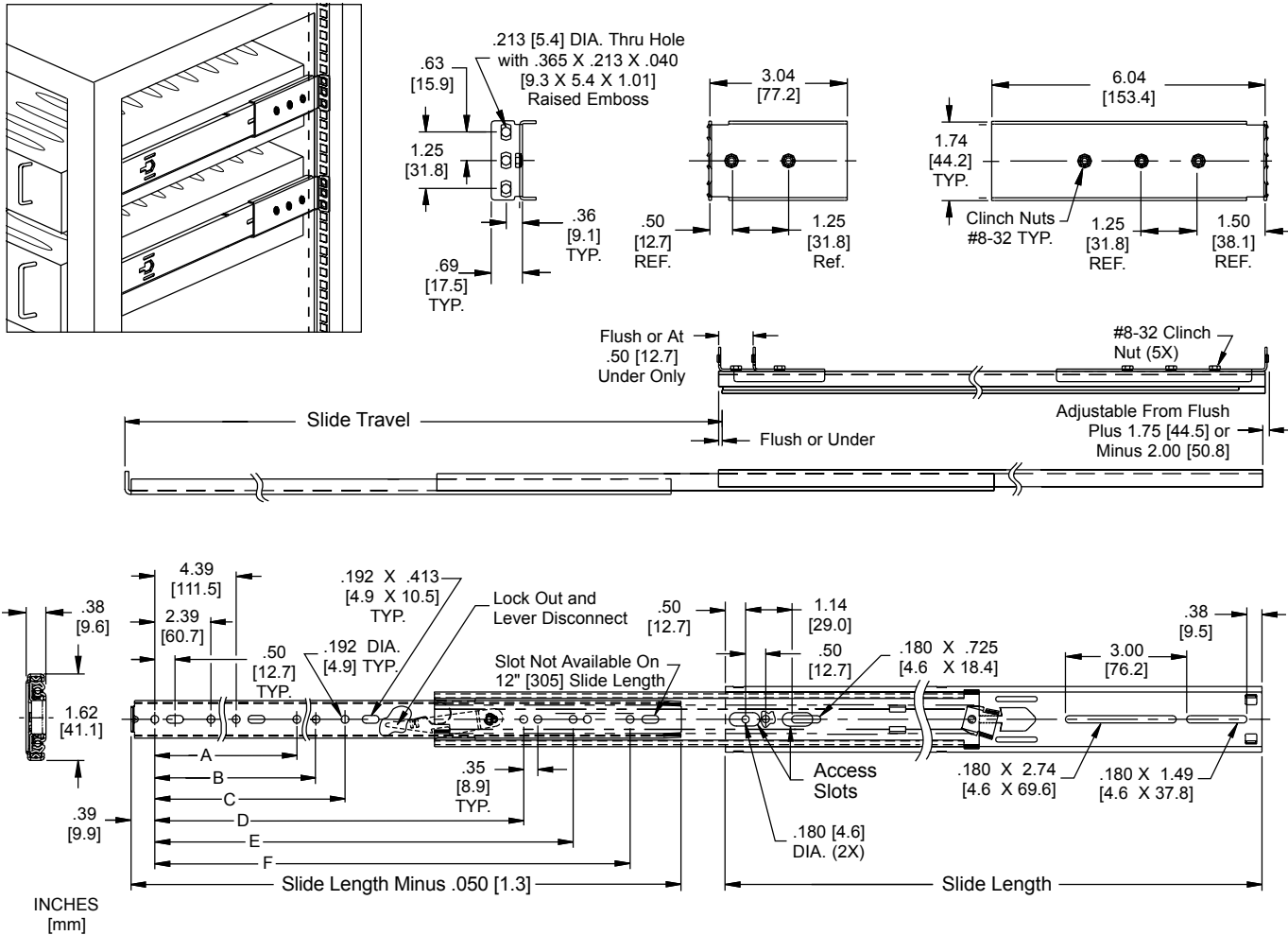




MODEL 2907

APPLICATIONS: Use model 2907 whenever an ultra-thin, medium duty, over travel, rack-mount slide is required. For use on electronic chassis, keyboards, fantrays, and other rack-mount applications. Accommodates chassis from 1U to 4U. **This product is covered by U.S. and various foreign patents issued and/or pending.**

Electronic Enclosure Slide
 Ball Bearing Movement
 .38" [9.6mm] Width
 1.62" [41.1mm] Height
 2.00" [50.8mm] Over Travel
 Up to 115 lb.* [52.3 kg.] Capacity



- Finish** Clear electroplate (C) finish
- Length** 12" to 30" [305mm to 762mm]
- Height** 1.62" [41.1mm]
- Load** See chart *
- Side Space** .38" ± 0.030 [□] [9.6mm ± 0.76mm]
- Travel** 2.00" [50.8mm] Over travel
- Mounting** *Chassis Member:* #8 pan head screw
Outer Member: Adjustable front and rear mounting brackets
- Features** Unhanded, lock-out and disconnect, lead-in pins

* Load rating based on a 16" [406mm] wide chassis cycled 2,000 times.
[□] Brackets behind EIA rail with square holes.
^{**} No lateral adjustment with EIA rails using round or tapped holes.

Part Number	Slide Length	Slide Travel	* Load Rating per Pair lb. [kg.]	A	B	C	D	E	F
2907-12	12.00 [305]	14.00 [356]	60 lb. [27.2 kg.]						9.25 [235.0]
2907-14	14.00 [356]	16.00 [406]	80 lb. [36.3 kg.]						11.25 [285.8]
2907-16	16.00 [406]	18.00 [457]	100 lb. [45.4 kg.]	6.40 [162.6]					13.25 [336.5]
2907-18	18.00 [457]	20.00 [508]	115 lb. [52.2 kg.]			6.49 [164.8]	12.38 [314.3]		15.25 [387.3]
2907-20	20.00 [508]	22.00 [559]	114 lb. [51.7 kg.]		6.78 [172.1]	8.00 [203.2]	14.03 [356.2]		17.25 [438.1]
2907-22	22.00 [559]	24.00 [610]	112 lb. [50.8 kg.]			8.39 [213.0]	16.03 [407.0]		19.25 [488.9]
2907-24	24.00 [610]	26.00 [660]	110 lb. [49.9 kg.]	10.00 [254.0]	10.78 [273.7]			18.03 [457.8]	21.25 [539.7]
2907-26	26.00 [660]	28.00 [711]	110 lb. [49.9 kg.]	5.53 [140.3]	9.15 [232.4]	10.60 [269.1]	16.40 [416.6]	20.03 [508.6]	23.25 [590.5]
2907-28	28.00 [711]	30.00 [762]	110 lb. [49.9 kg.]	7.53 [191.1]	11.15 [283.2]	12.00 [304.8]	18.40 [467.4]	22.03 [559.4]	25.25 [641.4]
2907-30	30.00 [762]	32.00 [813]	110 lb. [49.9 kg.]		9.53 [241.9]	12.60 [319.9]	20.40 [518.2]	24.03 [610.2]	27.25 [692.1]

Installation Instructions

- Slide chassis member (smallest) is removable. Separate slide members by lifting left hand side lever up, and right hand side lever down. Keep slide chassis members with original outer members.
 - Slide has front and rear adjustable EIA brackets. Attach front brackets to outer slide member using #8-32 machine screws by aligning access slots on brackets to outer member holes. Front brackets can be mounted flush or 1/2" [12.7mm] back from front of slide based on user needs.
 - Establish distance from front cabinet rail to rear cabinet rail and attach rear brackets to slide. **Do not** fully tighten rear bracket mounting screws until final adjustment is made.
 - Insert removable locator pin into center hole of brackets.
 - Slide will mount to various cabinet rails at various locations on side of chassis. See illustrations at right.
 - Place slide into desired position and fully extend against EIA rails. Locator pins will support slide and bar nut while attaching screws.
 - Attach slide to EIA rail with #10-32 screws and fasten with bar nuts. Once screws are secure, remove locator pins.
- Do not** fully tighten screws until final adjustment is made.
- Mount slide chassis members (smallest) to the chassis.
 - With cabinet members in the open or closed position, bring ball retainer to full forward position. Install chassis by engaging the slide members and close completely. **Locks will engage on initial insertion and must be released to fully close.** Check slide alignment by opening and closing the chassis. Any sign of binding indicates lateral stress or misalignment.
 - Adjust slide position until movement is smooth. Tighten all screws and complete installation.

NOTE: To remove chassis, lift the lever on the left hand slide up and the lever on the right hand slide down.

Slide Ordering Instructions

Complete your order for Accuride Model 2907 by specifying the following information. For example:

Required Slides _____ 10 Pair _____ C 2907 -18 D
 Slide Finish _____
 Slide Model _____
 Slide Length _____
 Optional Polybag Packaging _____

Optional Mounting Bracket Kit

Optional mounting bracket kit, part number 4180-0430-XE, includes (2) front brackets, (2) rear brackets, (4) bar nuts, (4) locator pins, (8) #8-32 bracket-to-slide mounting screws, and (8) #10-32 bracket-to-rail mounting screws packaged in a polybag.

Kits ordered separately. Order 1 kit per pair of slides.

Packaging

Bulk (P) Pack: All lengths are packaged 10 pair per box. Optional mounting bracket kits (4180-0430-XE) are ordered and packaged separately.

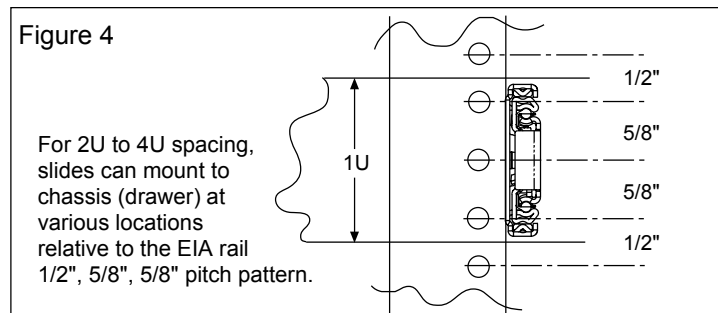
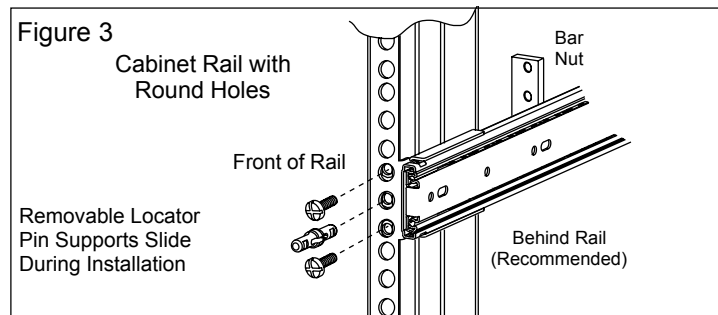
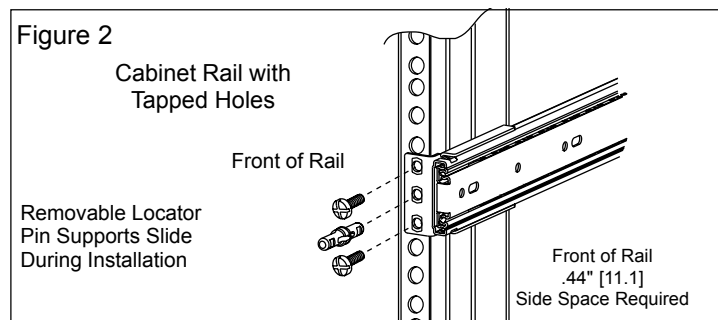
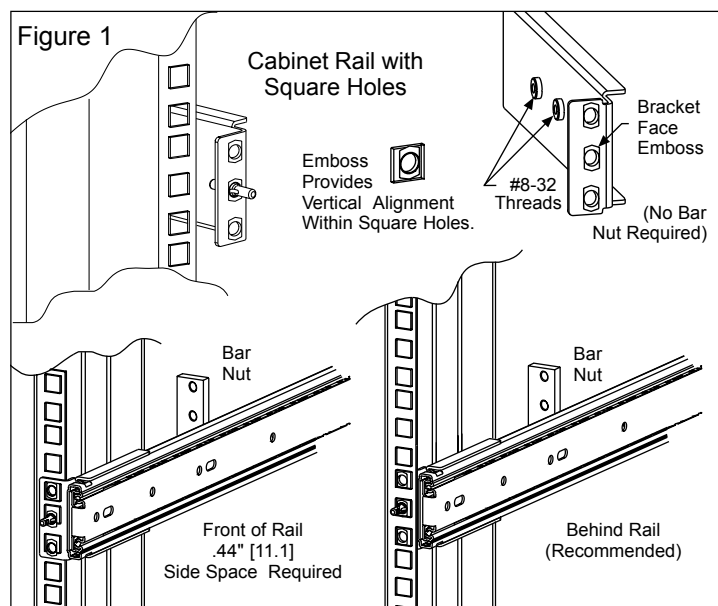
Distributor (D) Pack: All lengths are packaged 5 pair per box. Polybag packaging includes one pair of slides, one mounting bracket kit (4180-0430-XE), and installation instructions.

Specifications

Slide members and ball retainers: Cold rolled steel
 Ball bearings: Carburized steel

Note: Specifications, materials, prices, terms, and delivery are subject to change without notice.

Copyright © 2002 Accuride International Inc. Printed in U.S.A. 3700-1085(9456)-MK537-R3-0803



Accuride

ACCURIDE INTERNATIONAL INC.

12311 Shoemaker Avenue
 Santa Fe Springs, CA 90670
 TEL (562) 903-0200
 FAX (562) 903-0208
 www accuride.com

Manufacturing, Engineering, and Sales
 United States • Germany • Japan • Mexico • United Kingdom

Copyright © 2002 Accuride International Inc. Printed in U.S.A. 3700-9456(1085)-MK091-R3-0803