



## For 3-Wire Flat Packs



## 35PS Power Supplies

These units provide power for DC-powered transmitters, isolators, and alarm relays.

The 35PS power supply is designed for use with the 300 series family of DC-powered instruments. It features compact packaging and supports high-density mounting on DIN rails. The output is diode-coupled, allowing supplies to be connected in parallel, for additional current capacity or for systems requiring automatic power source redundancy. Two LEDs are located on the front panel; green to indicate power and red to indicate an overcurrent condition.

The -2U models (25mm wide) are able to power two 350T transmitters with 4-20mA outputs or seven 350T transmitters with voltage outputs. The -8U supplies (40mm wide) are able to power eight 350T transmitters with 4-20mA outputs or twenty-eight 350T transmitter units with voltage outputs.

Model	35PS-2U	35PS-8U
350T Transmitter (4-20mA out)	Drives 2 units	Drives 8 units
350T Transmitter (VDC out)	Drives 7 units	Drives 28 units
340i Isolator	Drives 2 units	Drives 8 units
330i Isolator	N/A	Drives 3 units
361A Alarm (single relay)	Drives 2 unit	Drives 8 units
361A Alarm (dual relays)	Drives 1 unit	Drives 5 units

## Performance

### Output

35PS-2U: Regulated 15V DC at 70mA

35PS-8U: Regulated 15V DC at 280mA

### Power requirement

-1: 115V AC,  $\pm 10\%$ , 50/60Hz  
(35PS-2U: 0.05A, 35PS-8U: 0.10A)

-2: 230V AC,  $\pm 10\%$ , 50/60Hz  
(35PS-2U: 0.025A, 35PS-8U: 0.05A)

-10: 10 to 36V DC, 2.4W max. Current draw is a function of the supply voltage.

Supply voltage	Current (-10 option)
10V	240mA
12V	165mA
15V	125mA
24V	75mA
36V	55mA

### Ambient temperature range

-13 to 185°F (-25 to 85°C)

For DC-powered (-10) unit, derate max output current above 70°C to 50mA at 85°C.

### Isolation

DC output circuit is electrically isolated from the input AC/DC power circuits. Sustains 1500V AC isolation breakdown test between power and output.

Complies with test requirements outlined in ANSI/ISA-S82.01-1988 for the voltages specified.

### Power output protection

#### Overcurrent protection:

35PS-2U output limited to 95mA, typical

35PS-8U output limited to 300mA, typical

Supply can sustain a continuous short circuit.

Overvoltage protection: Supply is limited at 30V DC.

Redundancy: Output is diode-coupled, allowing supplies to be connected in parallel for systems requiring automatic redundancy.

### LED indicators

Green LED indicates power applied. Red indicates excessive current is being drawn from the supply.

### RFI resistance

Less than  $\pm 0.5\%$ , of output span effect with RFI field strengths of up to 10V/meter at frequencies of 27, 151 and 467 MHz.

### EMI resistance

Less than  $\pm 0.25\%$  of output span effect with switching solenoids or commutator motors.

### Surge withstand capability (SWC)

Power/output terminations rated per ANSI/IEEE C37.90-1978. Unit is tested to a standardized test waveform that is representative of surges (high frequency transient electrical interference), observed in actual installations.

### Construction

Circuit boards: Military grade FR-4 epoxy glass.

Terminals: Compression type, 14 AWG max.

Case: Self-extinguishing NYLON Type 6.6 polyamide thermoplastic UL94V-2, color black. General Purpose, NEMA Type 1 enclosure.

Mounting position: Position insensitive.

## Ordering Information

### 35PS-2U-1-DIN-NCR

15V DC @ 70mA output, 115V AC power, DIN rail mounting

### 35PS-2U-2-DIN-NCR

Same as above, except 230V AC power

### 35PS-2U-10-DIN-NCR

Same as above, except 10 to 36V DC power, isolated DC-to-DC converter.

### 35PS-8U-1-DIN-NCR

15V DC @ 280mA output, 115V AC power, DIN rail mounting

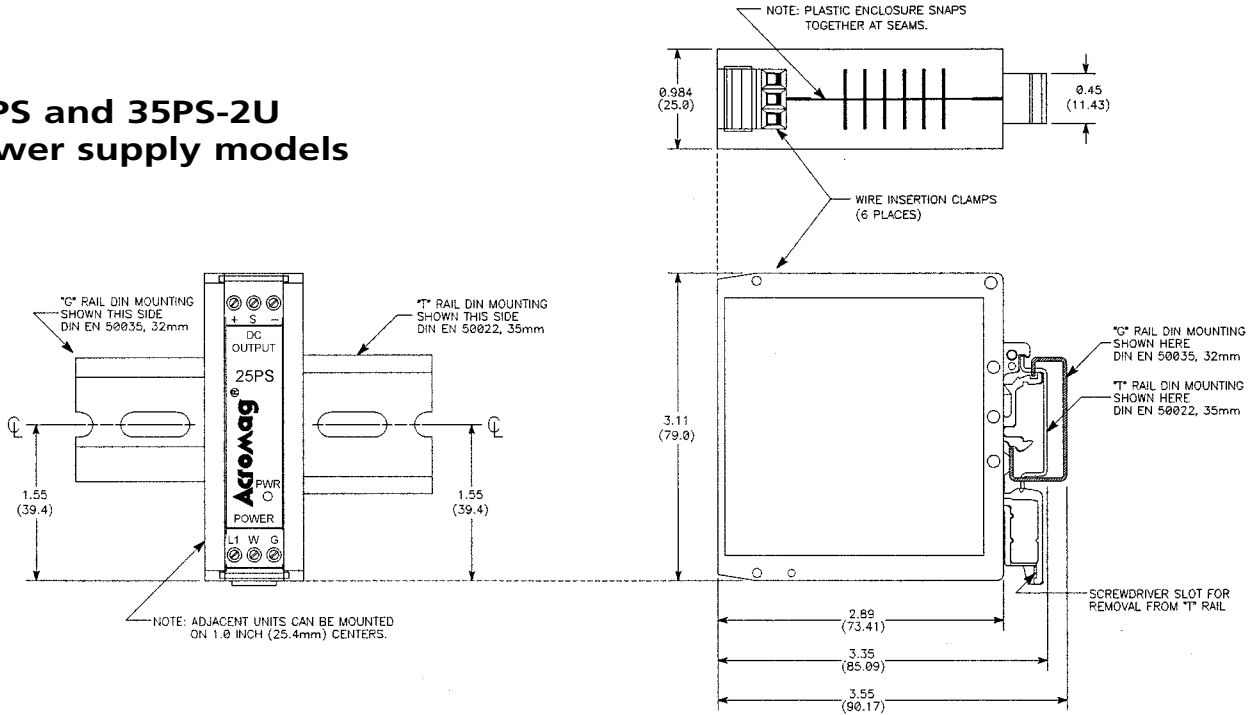
### 35PS-8U-2-DIN-NCR

Same as above, except 230V AC power



## Dimensions

### 25PS and 35PS-2U power supply models



### 35PS-8U power supply

