

LPQ170 Series

175 Watts

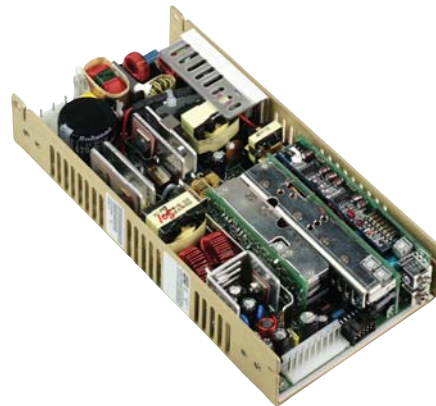
Total Power: 110 - 175 Watts
Input Voltage: 85-264 Vac
120-300 Vdc
of Outputs: Quad

Special Features

- Active power factor correction
- IEC EN61000-3-2 compliance
- Adjustable outputs on 1, 3 & 4
- Remote sense on main output
- Single wire current sharing
- Power fail and remote inhibit
- Built-in EMI filter
- Low output ripple
- Overvoltage protection
- Overload protection
- Thermal overload protection
- DC power good
- 5 V standby output
- Adjustable floating 4th output
- Optional cover (-C suffix)

Safety

VDE 0805/EN60950
(IEC950)
UL UL60950
CB Certificate and report
CSA CSA 22.2-234 Level 3
CE Mark (LVD)
NEMKO EN 60950/EMKO-TUE



Electrical Specifications

Input

Input range: 85-264 VAC; 120-300 VDC
Frequency: 47-67 Hz
Inrush current: 38 A max, cold start @ 25°C
Efficiency: 75% typical at full load
EMI filter: Meets FCC Class B conducted
CISPR 22 Class B conducted
EN55022 Class B conducted
VDE 0878 PT3 Class B conducted
Power Factor: 0.99 typical
Safety ground leakage current: 1.0 mA @ 50/60 Hz, 264 VAC input

Output

Maximum power: 110 W convection (75 W with cover)
85 W convection - LPQ173
175 W with 30 CFM forced air
(130 W with cover - LPQ172)
Adjustment range: 3.3 - 5.5V on main; -12 - 15V on 3rd output
3.3 - 25 V on 4th output - LPQ172
3.3 - 5.5 V on 4th output - LPQ173
Hold-up time: 20 ms @175 W load at nominal line
Overload protection: Short circuit protection on all outputs. Case overload protected @ 110-145% above peak rating
Overvoltage protection: Tracks outputs 1, 3 & 4; 15 to 35%
Standby output: 5 V @ 200 mA regulated $\pm 5\%$



Logic Control

AC power failure	TTL logic signal goes high 100 - 500 msec after V1 output; It goes low at least 4 msec before loss of regulation
Remote inhibit	Requires contact closure to inhibit outputs
Remote sense	Compensates for 0.5 V lead drop min. Will operate without remote sense connected. Reverse connection protected.
DC - OK	TTL logic signal goes high after main output is in regulation. It goes low when there is a loss of regulation.

Environmental Specifications

Operating temperature:	0° to 50 °C ambient. Derate each output 2.5% per degree from 50° to 70 °C (except for -C version).
Storage temperature:	-40°C to +85°C
Temperature coefficient:	±0.4% per °C
Electromagnetic susceptibility:	Designed to meet IE61000-4, -2, -3, -4, -5, -6, -8, -11, Level 3
Humidity:	Operating; non-condensing 5% to 95%
Vibration:	Three orthogonal axes, sweep at 1 oct/min, 5 min. dwell at four major resonances 0.75G peak 5Hz to 500Hz, operational
MTBF demonstrated:	>550,000 hours at full load and 25°C ambient conditions

Ordering Information

Model Number	Output Voltage	Minimum Load	Maximum Load with Convection Cooling	Maximum Load with 30CFM forced Air	Peak Load 1	Regulation 2	Ripple P/P (PARD) ³
LPQ172	5 V (3.3 - 5.5 V)	0 A	15 A	30 A	32 A	±2%	50 mV
	12 V	0 A	6 A	8 A	10 A	±3%	120 mV
	-12 V (-12 -15 V)	0 A	1.5 A	3 A	3.5 A	±3%	<1%
	±3.3-25 V	0.5 A*	2 A	5 A	5.5 A	±3%	<50mV or 1%
LPQ173	5 V (3.3 - 5.5 V)	0 A	10 A	24 A	26 A	±2%	50 mV
	12 V	0 A	6 A	8 A	10 A	±3%	120 mV
	-12V (-12 -15 V)	0 A	.2 A	3 A	3.5 A	±3%	<1%
	5 V (3.3 - 5.5 V)	0 A	10 A	24 A	26 A	±2%	50 mV

1. Peak current lasting <30 seconds with a maximum 10% duty cycle.
2. At 25°C including initial tolerance, line voltage, load currents and output voltages adjusted to factory settings.
3. Peak-to-peak with 20 MHz bandwidth and 10 µF in parallel with a 0.1 µF capacitor at rated line voltage and load ranges.
4. 4th output adjustable 3.3-25 V factory set at 5 V.
5. *Minimum loads are required when output set below 5 Volts
6. Remote inhibit resets OVP latch
7. LPQ173-C has no convection rating.

Note: -C suffix added to the model number indicates cover option and is limited to 50 °C operation.

Notes:

1. Specifications subject to change without notice.
2. All dimensions in inches (mm), tolerance is ±0.02".
3. Specifications are for convection rating at factory settings unless otherwise stated.
4. Mounting screw maximum insertion depth is 0.12".
5. Warranty: 2 year
6. Weight: 2 lb / 0.91 kg

Mechanical Drawing

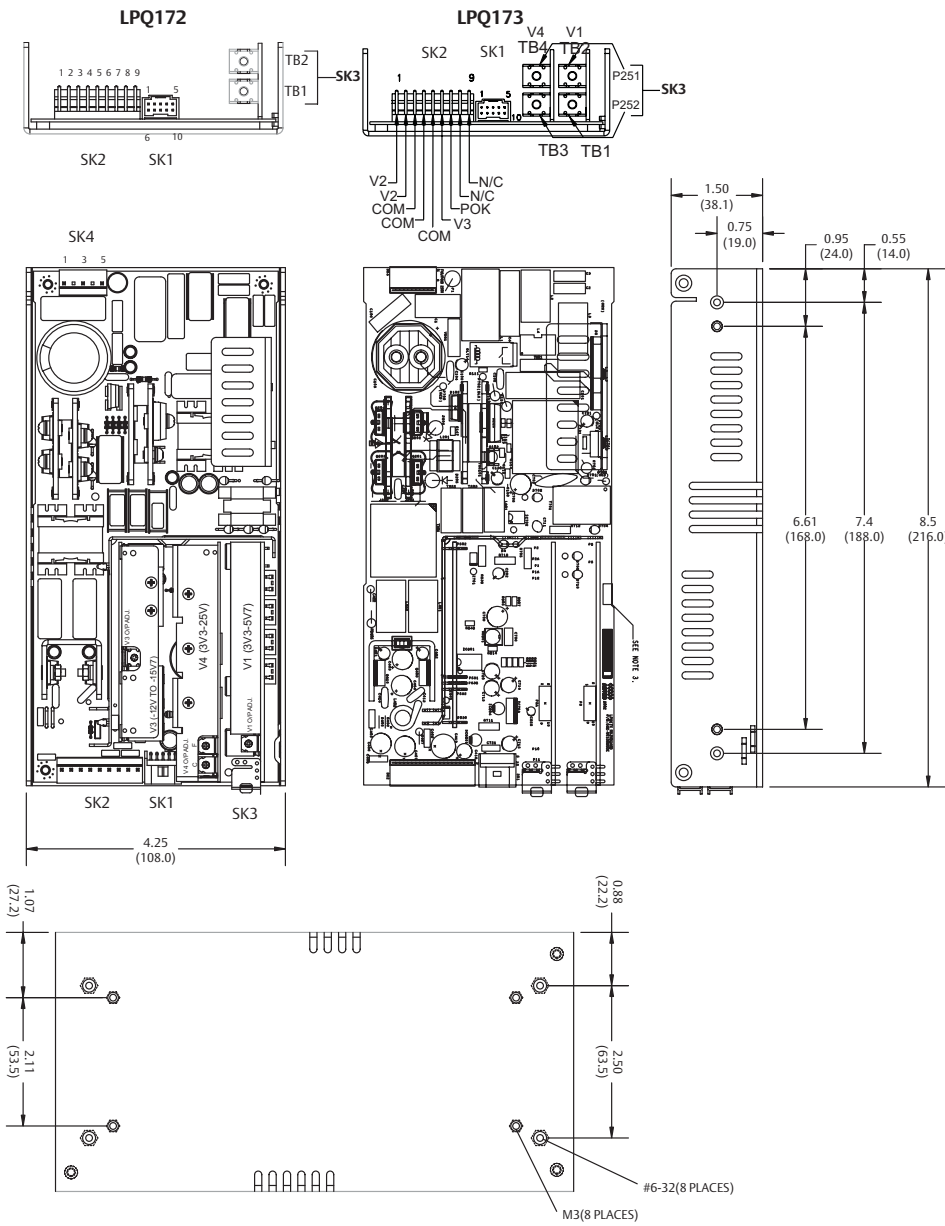
Pin Assignments

Connector	LPQ172	LPQ173	
SK1	PIN 1	N/C	V4 SWP
	PIN 2	5V Standby	5 V Standby
	PIN 3	N/C	+V4 Sense
	PIN 4	V1 SWP	V1 SWP
	PIN 5	Common	Common
	PIN 6	+V1 sense	+V1 sense
	PIN 7	Sense common	Sense common
	PIN 8	Remote inhibit	Remote inhibit
	PIN 9	DC power good	DC power good
	PIN 10	POK	POK
SK2	PIN 1,2	+12 V	+12V
	PIN 3,4,5	Common	Common
	PIN 6	-12 V	-12V
	PIN 7	POK	POK
	PIN 8	+3.3 V to +25 V (Float)	N/C
PIN 9	Common (Float)	N/C	
SK3	TB-1, 3	COMMON	COMMON
	TB-2	+5 V (3.3V to 5.5V)	+5V (3.3V to 5.5V)
	TB-4	N/C	+5V (3.3V to 5.5V)
	TB-5	N/C	N/C
SK4	PIN 1	GROUND	GROUND
	PIN 3	LINE	LINE
	PIN 5	NEUTRAL	NEUTRAL

Mating Connectors

- (SK4) AC Input: Molex 09-50-8051 (USA)
Molex 09-91-0500 (UK)
PINS: 08-58-0111
- (SK3) Main output: Molex series 19141-0058/0063
- (SK2) Aux DC Output/Power fail: Molex 09-50-8091 (USA)
Molex 09-91-0900 (UK)
PINS: 08-58-0111
- (SK1) Control Signals: Molex 90142-0010 (USA)
PINS: 90119-2110 or
Amp: 87977-3
PINS: 87309-8

Astec connector kit #70-841-015, includes all of above



Americas

5810 Van Allen Way
Carlsbad, CA 92008
USA
Telephone: +1 (760) 930 4600
Facsimile: +1 (760) 930 0698

Europe (UK)

Waterfront Business Park
Merry Hill, Dudley
West Midlands, DY5 1LX
United Kingdom
Telephone: +44 (0) 1384 842 211
Facsimile: +44 (0) 1384 843 355

Asia (HK)

14/F, Lu Plaza
2 Wing Yip Street
Kwun Tong, Kowloon
Hong Kong
Telephone: +852 2176 3333
Facsimile: +852 2176 3888

For global contact, visit:

www.powerconversion.com
techsupport.embeddedpower@emerson.com

While every precaution has been taken to ensure accuracy and completeness in this literature, Emerson Network Power assumes no responsibility, and disclaims all liability for damages resulting from use of this information or for any errors or omissions.

Emerson Network Power.
The global leader in enabling
business-critical continuity.

- AC Power
- Connectivity
- DC Power
- Embedded Computing
- **Embedded Power**
- Monitoring
- Outside Plant
- Power Switching & Controls
- Precision Cooling
- Racks & Integrated Cabinets
- Services
- Surge Protection

EmersonNetworkPower.com

Emerson Network Power and the Emerson Network Power logo are trademarks and service marks of Emerson Electric Co.
©2008 Emerson Electric Co.

Mouser Electronics

Authorized Distributor

Click to View Pricing, Inventory, Delivery & Lifecycle Information:

[Emerson Network Power:](#)

[LPQ172](#) [LPQ172-C](#) [LPQ173](#) [LPQ173-C](#) [70-841-015](#)