

PS2 Server Redundant Power Supply

EPRP-2405 / 2465

ATX12V

400+400 watts Output Power

460+460 watts Output Power

1+1 Redundant Configuration

Meet Tower server System



Dimensions: 153.4(W) x 214.3(H) x 190(D) mm

Features:

- ⦿ PS2 size Module Design
- ⦿ Hot Swappable Application
- ⦿ Active power Factor Correction
- ⦿ Universal Power Input
- ⦿ Current Sharing on +5V, +3.3V & +12V
- ⦿ Remote DC Sense on +5V and +3.3V
- ⦿ Power Fault Alarm Signals
- ⦿ Front panel LED to Indicate Power Status
- ⦿ Over Voltage Protection
- ⦿ Over Current Protection
- ⦿ Over Power Protection
- ⦿ Short Circuit Protection
- ⦿ MTBF >100,000 Hours

General Specifications:

- ⦿ Input Range: 100 to 240 VAC, +/-10%
- ⦿ Power Factor: 0.95 minimum
- ⦿ Efficiency: 65% minimum, at full load
- ⦿ Hold up Time: 20mS minimum, at full load
- ⦿ PSON (Remote ON/OFF): TTL compatible signal
- ⦿ Power Good: 100 to 500 ms, TTL compatible signal
- ⦿ Cooling Fan: 80x80x20 mm
- ⦿ Operating Temperature: 0 to 40 °C
- ⦿ Operating Humidity: 20 to 90 %

Agency Requirements:

- ⦿ Harmonic: Meet EN61000-3-2 standards
- ⦿ EMI/RFI: CE, FCC class B and CISPR class B
- ⦿ Safety: UL, cUL, CB, TUV

Electrical Specifications:

Regulation, Ripple & Noise:

Output	+5V	+3.3V	+12V	-5V	-12V	5Vsb
Load Regulation	± 5%	± 5%	± 5%	± 5%	± 5%	± 5%
Cross Regulation	± 5%	± 5%	± 5%	± 5%	± 5%	± 5%
Line Regulation	± 1%	± 1%	± 1%	± 1%	± 1%	± 1%
Ripple & Noise	50mV	50mV	120mV	100mV	120mV	50mV

Input and Output Ratings:

Model No	Input			Watt	Output						
	Voltage	Frequency	Current		Load	+5V	+3.3V	+12V	-5V	-12V	5Vsb
EPRP-2405	100 - 240 VAC	47-63 Hz	7-3.5A	400W	Max Load	45A	30A	20A	1.5A	1.5A	2A
					Min Load	3A	0A	1A	0A	0A	0A
EPRP-2465	100 - 240 VAC	47-63 Hz	8-4A	460W	Max Load	45A	30A	30A	1A	1A	2A
					Min Load	2A	0A	1A	0A	0A	0A

Note: 1. The +5 & +3.3 Volt combine total output shall not exceed 300W for EPRP-2465

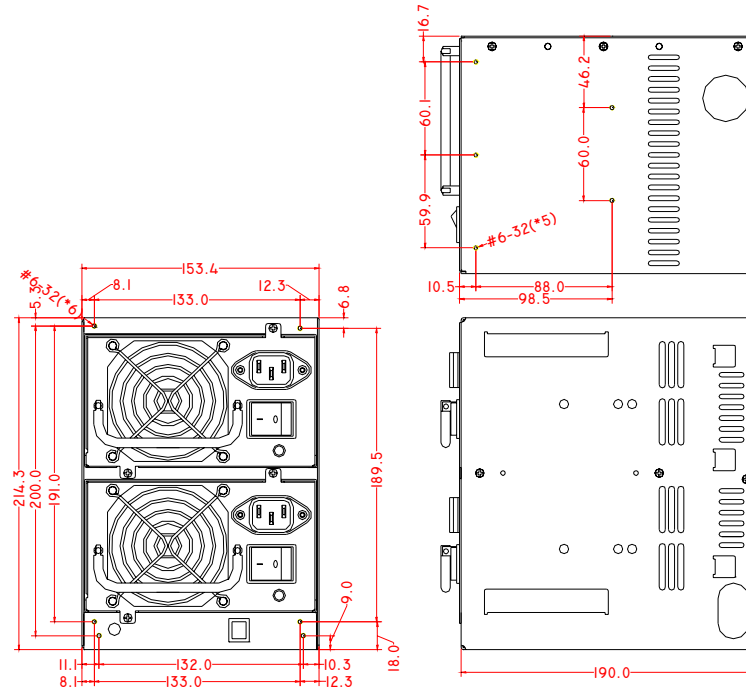
2. The +5, +3.3 and +12 Volt combine total output shall not exceed 365W for EFRP-2405 and 440W for EFRP-2465.

3: Noise bandwidth is from DC to 20 MHz.

PS2 Server Redundant Power Supply

EPRP-2405 / 2465

Dimensions (Unit: mm):



Rev 1.2 May. 30, 03