

DATA SHEET
SPECIFICATIONS
**STANDARD CONTROL
ELECTRONIC AMPLIFIER
(SCEA)**

U.S. ARMY P/N: 19207ASSY12314288-FOUR BOTTLE SYSTEM
19207ASSY12352251-SIX BOTTLE SYSTEM

SPECIFICATION: 19207-ATPD 2070 EDITION 6, REV. A AND MIL-M-62545A (AT)

POWER: 28 VDC PER MIL-STD-1275

INPUTS: SIGNALS FROM UP TO 4 OPTICAL FIRE SENSING ASSEMBLIES CONFORMING TO 19207-ATPD, 2070 EDITION 6, REV A
SIGNALS FROM UP TO 6 FIRE EXTINGUISHERS CONFORMING TO 19207-ATPD 2071, EDITION 6, REV. A BITE COMMAND SIGNAL


DESCRIPTION

OUTPUTS: UP TO 6 FIRE EXTINGUISHERS, SOLENOID OR SQUIB. EXHAUST FAN SIGNAL. AUDIBLE WARNING SIGNAL. 9 DIAGNOSTIC SIGNALS

CONTROLS: TEST AND ALARM PANEL (U.S. ARMY P/N 19207 ASSY12351485, OR EQUIVALENT)

OUTPUT LOAD: (EXTINGUISHERS): UP TO 1 OHM, INDUCTIVE OR RESISTIVE

SEQUENCE: 2 SHOT WITH AUTOMATIC BACKUP, SEQUENCING AND RIPPLE FIRE

SYSTEM TEST: AUTOMATIC SELF-TEST (BITE) WITH 9 SYSTEM FAULT DIAGNOSTIC SIGNALS

COMPONENT TEST: COMPATIBLE WITH DSESTS SYSTEM

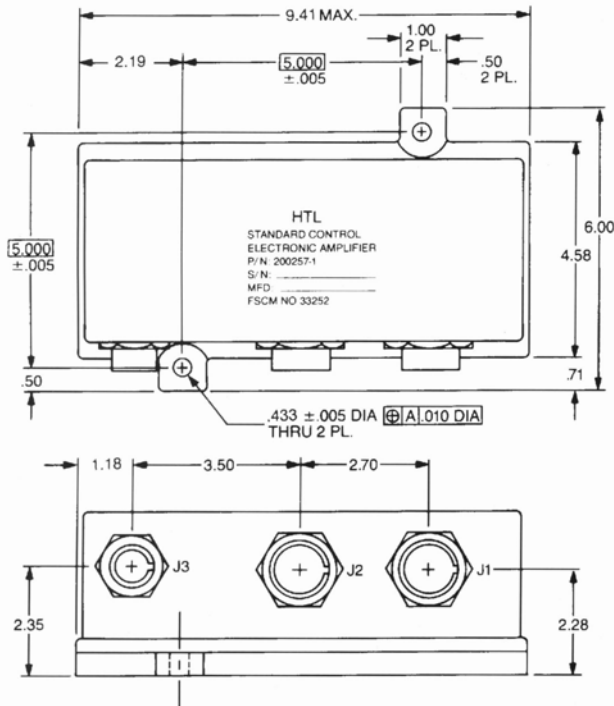
FINISH: WHITE PER FED-STD 595

WEIGHT: 5.5 LBS.

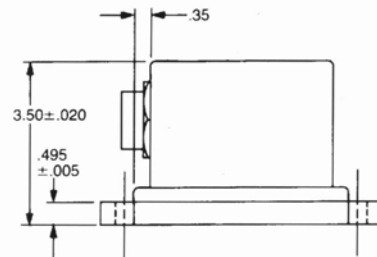
This unit is capable of supplying power to and accepting signals from up to four Optical Fire Sensing Assemblies (OFSA), and activating up to six extinguishers in a two-shot mode.

Built-In Test Equipment (BITE) continuously monitors the pressure/flow status of the extinguishers and automatically selects available units when a large fire signal is received. Extinguishant flow monitoring allows automatic processing to the next available bottle if an extinguisher fails to discharge. The unit will automatically deactivate a defective OFSA, inhibiting erroneous fire signals. Fault diagnostic signals are available to monitor the status of all detectors and extinguishers and the SCEA circuitry. The unit has been tested and proven during rough terrain tests of military tracked vehicles.

OUTLINE DETAILS



MECHANICAL INTERFACE



ELECTRICAL INTERFACE

J1
MS 3474W-22-21PN

A	POWER
B	AUX POWER
C	EXT. LAMP SIG 1
D	EXT. LAMP SIG 2
E	EXT. LAMP SIG 3
F	EXT. LAMP SIG 4
G	ELECTRICAL-MANUAL
H	BITE-ACTIVATION
J	BITE-PASS SIGNAL
K	BITE-FAIL SIGNAL
L	FIRE WARNING LAMP SIGNAL
M	AUX POWER RETURN
N	PIN A RETURN
P	OF SA NO. 1 FAULT
R	OF SA NO. 2 FAULT
S	SHIELD
T	VENT FAN ACTIVATION SIGNAL
U	AUDIBLE FIRE WARNING SIGNAL
V	OF SA NO. 3 FAULT
W	OF SA NO. 4 FAULT
X	SCEA FAULT

J2
MS 3474W-22-21SN

A	POWER EXT. NO. 1
B	RETURN
C	PRESSURE SWITCH & FLOW INDICATOR
D	SHIELD
E	
F	POWER EXT. NO. 2
G	RETURN
H	PRESSURE SWITCH & FLOW INDICATOR
J	
K	
L	POWER EXT. NO. 3
M	RETURN
N	PRESSURE SWITCH & FLOW INDICATOR
P	
R	
S	POWER EXT. NO. 4
T	RETURN
U	PRESSURE SWITCH & FLOW INDICATOR
V	
W	
X	

J3
MS 3474W-18-32SN

A	POWER SENSOR NO. 1
B	RETURN SENSOR NO. 1
C	LARGE FIRE SIG NO. 1
D	SMALL FIRE SIG NO. 1
E	BITE TO SENSOR NO. 1
F	SHIELD
G	
H	
J	POWER SENSOR NO. 2
K	RETURN SENSOR NO. 2
L	LARGE FIRE SIG NO. 2
M	SMALL FIRE SIG NO. 2
N	BITE TO SENSOR NO. 2
P	
R	
S	
T	POWER SENSOR NO. 3
U	RETURN SENSOR NO. 3
V	LARGE FIRE SIG NO. 3
W	SMALL FIRE SIG NO. 3
X	BITE TO SENSOR NO. 3
Y	
Z	
a	
b	POWER SENSOR NO. 4
c	RETURN SENSOR NO. 4
d	LARGE FIRE SIG NO. 4
e	SMALL FIRE SIG NO. 4
f	BITE TO SENSOR NO. 4
g	
h	
i	

- AUXILIARY POWER MAY BE USED AS POWER SOURCE FOR TEST & ALARM PANEL OR ANCILLARY DEVICES
- • MANUAL RELEASE SIGNAL FROM TEST & ALARM PANEL CAUSES RELEASE OF FIRST SHOT. SECOND SIGNAL RECEIVED AFTER AN INHIBIT PERIOD OF 4 TO 6 SECONDS CAUSES RELEASE OF SECOND SHOT.