

INPUT CHARACTERISTICS:**ARD / I – 2/4/6400F**

- VOLTAGE: 90 – 132 VAC / 180 ~ 264 VAC SWITCHABLE
- FREQUENCY : 47 ~ 63 Hz
- INPUT CURRENT: 5.0 / 2.5A FOR 115 / 230 VAC PER POWER MODULE (PARALLEL)
- INRUSH CURRENT: 50A / 100A MAX. FOR 115 / 230 VAC

OUTPUT CHARACTERISTICS:

OUTPUT VOLTAGE	OUTPUT CURRENT			REGULATION		OUTPUT RIPPLE & NOISE MAX. [P-P]
	MIN.[A]	MAX.[A]	PEAK(A)	LOAD	LINE	
5V**	7.0	20~36	40	± 5%	± 1%	60mV
12V**	2.5	17	20	± 8%	± 1%	120mV
-5V***	0	0.8	1	±10%	± 1%	120mV
-12V***	0	0.8	1	-10%~+10%	± 1%	150mV
3.3V*	3.0	0~25	30	± 5%	± 1%	60mV
+5VSB	0	1.0	1.2	± 5%	± 1%	50mV

* MANUFACTURER SET AT 3.45 V

*TOTAL OUTPUT OF +5V AND + 3.3V NOT EXCEED 180 W

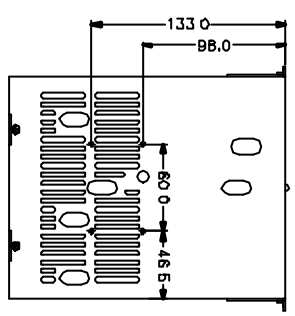
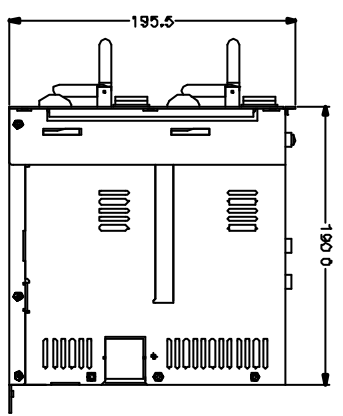
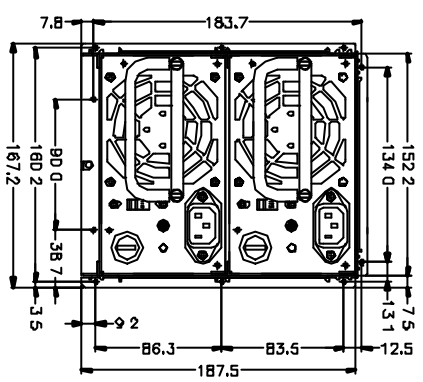
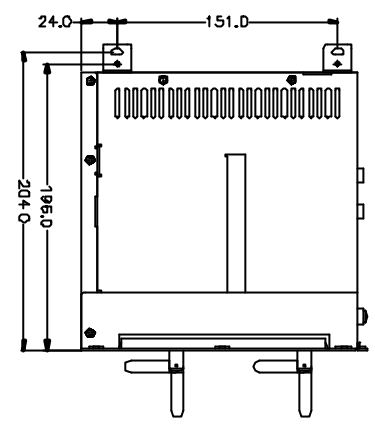
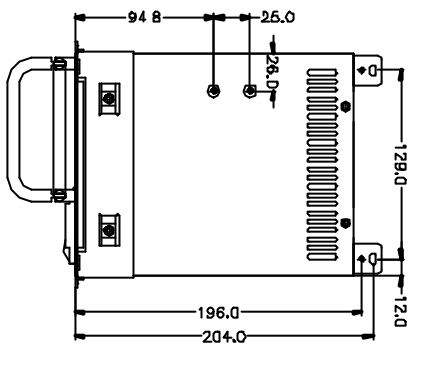
** For ARD/I / H – 2400F ; **&*** For ARD/ I / H – 4400F

Total output max:400W

- TEMPERATURE RANGE: OPERATING 0 --- 40
- HOLD UP TIME: 16 ms MINIMUM AT FULL LOAD & NORMAL INPUT VOLTAGE
- DIELECTRIC WITHSTAND: INPUT / OUTPUT 1500 VAC FOR 1 SECOND
INPUT TO FRAME GROUND 1500 VAC FOR 1 SECOND
- EFFICIENCY: 65% TYPICAL, AT FULL LOAD
- POWER GOOD SIGNAL: ON DELAY 100 ms TO 500 ms, OFF DELAY 1 ms
- OVER LOAD PROTECTION: 130 +/- 20%
- OVER VOLTAGE PROTECTION:
+5V → 6.0V ~ 7V, 3.3V → 4.0 ~ 4.5V, (EACH POWER MODULE)
- OVER CURRENT PROTECTION : SHORT CIRCUIT
- EMI NOISE FILTER: FCC CLASS B, CISPR22 CLASS B
- SAFETY: UL 1950, CSA 22.2 NO/ 950, TÜV IEC 950
- REMOTE ON / OFF CONTROL
THE UNIT SHALL ACCEPT A LOGIC OPEN COLLECTOR LEVEL WHICH WILL DISABLE / ENABLE ALL THE OUTPUT VOLTAGE (EXCLUDE +5V STANDBY), AS LOGIC LEVEL IS LOW, OUTPUTS VOLTAGE WERE ENABLE, AS LOGIC LEVEL IS HIGH, OUTPUTS VOLTAGE WERE DISABLE.
- HOT-SWAPPABLE / HOT-PLUGGABLE REDUNDANCY FUNCTION
- BALANCE LOAD SHARING DESIGN
- REMOTE SENSING DESIGN
- ISOLATION: BUILT-IN IN THE POWER MODULE
- PASSIVE BACKPLANE DESIGN
- DIMENSION: **ARD: 153(W) x 212(H) x 190(D); ARI: 167(W) x 189(H) x 190 (D);**
- CONNECTION: 48 PINS CONNECTOR (EPT PART NO. 109-40064 OR EQUIVALENT)
6 PINS CONNECTOR (POSITRONIC PART NO. PLB06M8000 OR EQUIVALENT) OPTIONAL FOR INPUT SOURCE FROM REAR SIDE
- I²C COMMUNICATION ABILITY (OPTIONAL)

REV	REV. DESCRIPTION	DATE

1 2 3 4 5 6 7



新巨企業股份有限公司
ZIPPY TECHNOLOGY CORP.
 POWER DIVISION

ARI1 外觀尺寸圖 1

容許公差: TOLERANCES: .XXX ±.025 .XX ±.100 .X ±.250 投影法: (第三角法) PROJECTION: (3rd Angle)	材料規格: MATERIAL: 核准者: APPROVE BY: 審核者: CHECK BY: 繪圖者: DRAW BY:	日期: DATE: 日期: DATE: 日期: DATE: 日期: DATE:	品名: MODEL NO: 圖號: PART NO: 圖號: DRAWING NO: 單位: UNITS:
容許公差: TOLERANCES: .XXX ±.025 .XX ±.100 .X ±.250 投影法: (第三角法) PROJECTION: (3rd Angle)	材料規格: MATERIAL: 核准者: APPROVE BY: 審核者: CHECK BY: 繪圖者: DRAW BY:	日期: DATE: 日期: DATE: 日期: DATE: 日期: DATE:	品名: MODEL NO: 圖號: PART NO: 圖號: DRAWING NO: 單位: UNITS:

圖號: DRAWING NO: 圖號: FILE NO: 圖號: SHEET:	圖號: DRAWING NO: 圖號: FILE NO: 圖號: SHEET:	圖號: DRAWING NO: 圖號: FILE NO: 圖號: SHEET:	圖號: DRAWING NO: 圖號: FILE NO: 圖號: SHEET:
---	---	---	---