

**INPUT CHARACTERISTICS:****MPW-6230F(LH)**

- VOLTAGE: 95 ~ 135 VAC OR 180 ~ 265 VAC AUTO SWITCHING
- FREQUENCY : 47 ~ 63 HZ
- INPUT CURRENT: 6.0 A ( RMS ) FOR 115VAC  
3.0 A ( RMS ) FOR 230VAC
- INRUSH CURRENT: 60.0 A MAX. FOR 115 VAC  
120.0 A MAX. FOR 230 VAC

**OUTPUT CHARACTERISTICS:**

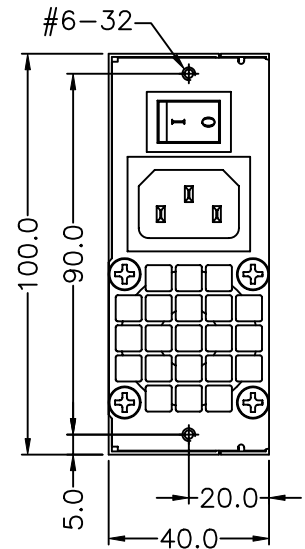
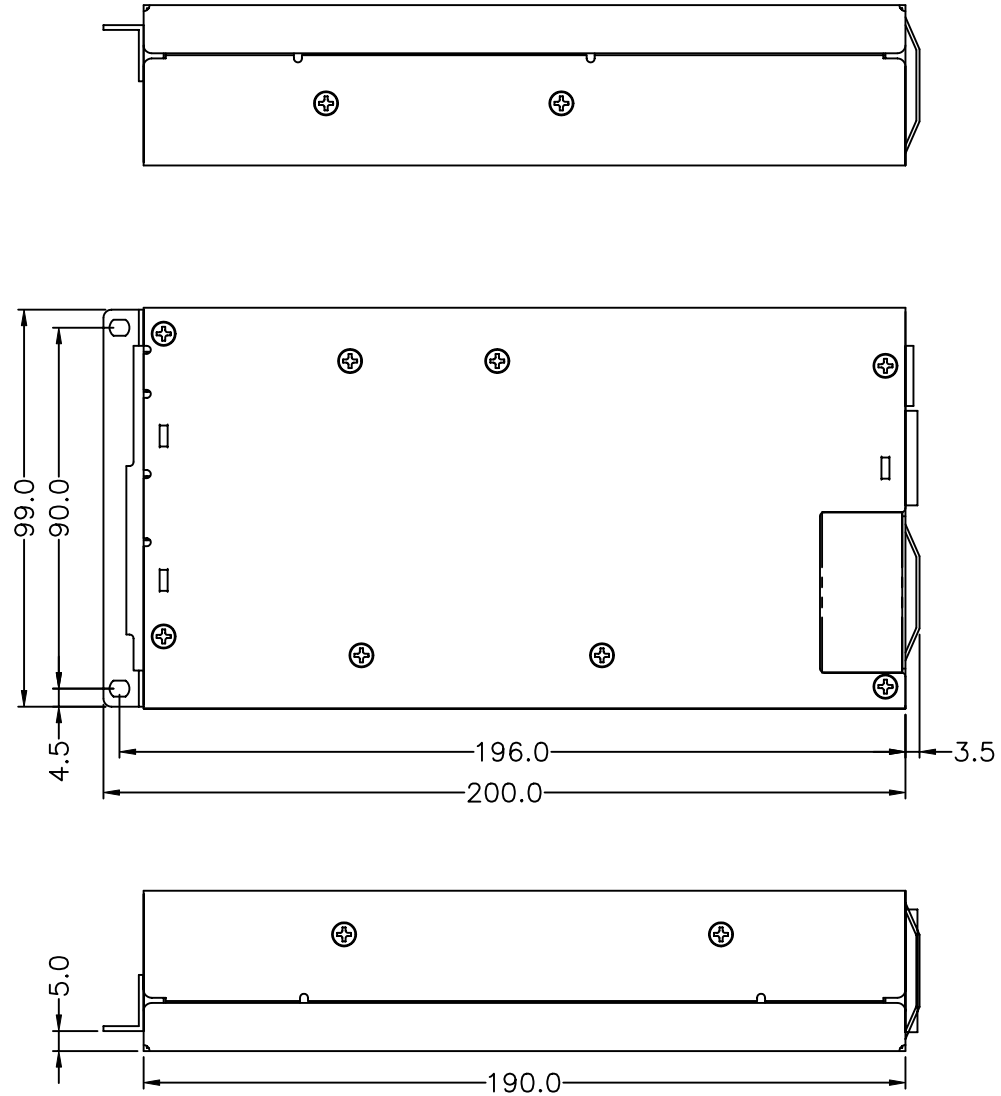
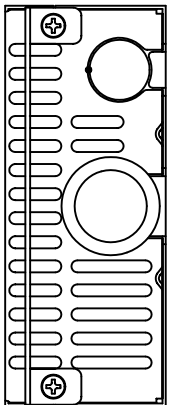
OUTPUT VOLTAGE	OUTPUT CURRENT		REGULATION		RIPPLE & NOISE MAX. [P-P]
	MIN. [A]	MAX. [A]	LOAD	LINE	
5V	1.6	16	± 5%	± 1%	70mV
12V	1.0	9.0	± 5%	± 1%	120mV
-5V	0	0.2	±5%	± 1%	100mV
-12V	0.1	0.7	-10%~+10%	± 1%	120mV
3.3V	1.0	14	± 5%	± 1%	70mV
+5VSB	0.15	1.5	± 5%	± 1%	70mV


REMARKS: THE OUTPUT POWER OF 5V, 3.3V &amp; 12V NOT EXCEED 215 WATTS

**SPECIFICATION:**

- TEMPERATURE RANGE: OPERATING 0 --- 40
- HOLD UP TIME: 16 ms MINIMUM AT FULL LOAD & NORMAL INPUT VOLTAGE
- DIELECTRIC WITHSTAND: INPUT / OUTPUT 1500 VAC FOR 1 SECOND  
INPUT TO FRAME GROUND 1500 VAC FOR 1 SECOND
- EFFICIENCY: 68% TYPICAL, AT FULL LOAD
- POWER GOOD SIGNAL: ON DELAY 100 ms TO 500 ms, OFF DELAY 1 ms
- OVER LOAD PROTECTION: 130 +/- 20%
- OVER VOLTAGE PROTECTION: **+5V → 5.6V ~ 6.6V, 3.3V → 3.6 ~ 4.2V**
- SHORT CIRCUIT PROTECTION: +5V, -5V, +12V, -12V, +3.3V
- EMI NOISE FILTER: FCC CLASS B, CISPR22 CLASS B
- SAFETY: UL 1950, CSA 22.2 NO/ 950, TÜV IEC 950
- REMOTE ON / OFF CONTROL  
THE UNIT SHALL ACCEPT A LOGIC OPEN COLLECTOR LEVEL WHICH WILL DISABLE / ENABLE ALL THE OUTPUT VOLTAGE (EXCLUDE +5V STANDBY), AS LOGIC LEVEL IS LOW, OUTPUTS VOLTAGE WERE ENABLE, AS LOGIC LEVEL IS HIGH, OUTPUTS VOLTAGE WERE DISABLE.
- COOLING: ONE 40mm DC FAN
- DIMENSION: 190 (D) x 100 (W) x 40 (H) mm

修訂 REVISIONS		日期 DATE
版次 REV.	記號 DESCRIPTION	



 新巨企業股份有限公司 ZIPPY TECHNOLOGY CORP. POWER DIVISION	
品名: MODEL NO:	P1U 外觀尺寸圖
料號: PART NO:	圖號: P1U0MA00 檔號: P1U0MA00
圖號: DRAW NO:	規格: A2 編號: OF
單位: mm REV. NO: A2	日期: APR-19-2002

容許公差: TOLERANCES:	材料規格: MATERIAL:
.XXX ±.025	
.XX ±.100	
.X ±.250	
投影法: PROJECTION:	第三角法

核准者: APPROVE BY:	日期: DATE:
審核者: CHECK BY:	日期: DATE:
繪圖者: DRAW BY:	日期: DATE: APR-19-2002