

INPUT CHARACTERISTICS:**H1U-6150P**

- VOLTAGE: 90 ~ 265 VAC FULL RANGE
- FREQUENCY : 47 ~ 63 HZ
- INPUT CURRENT: 4.0 A (RMS) FOR 115VAC
2.0 A (RMS) FOR 230VAC
- INRUSH CURRENT: 30.0A MAX. FOR 115 VAC
60.0A MAX. FOR 230 VAC

OUTPUT CHARACTERISTICS:

OUTPUT VOLTAGE	OUTPUT CURRENT		REGULATION		OUTPUT RIPPLE & NOISE MAX. [P-P]
	MIN. [A]	MAX. [A]	LOAD	LINE	
5V	3.0	16	± 5%	± 1%	70mV
12V	2	9	± 8%	± 1%	120mV
-5V	0	0.2	± 10%	± 1%	150mV
-12V	0.1	0.5	-10%~+10%	± 1%	150mV
3.3V	0.0	10	± 5%	± 1%	70mV
+5VSB	0	2.0	± 5%	± 1%	70mV

REMARKS:

1. THE OUTPUT POWER OF 5V & 3.3V NOT EXCEED 100 WATTS
2. TOTAL OUTPUT POWER NOT EXCEED 150 WATTS

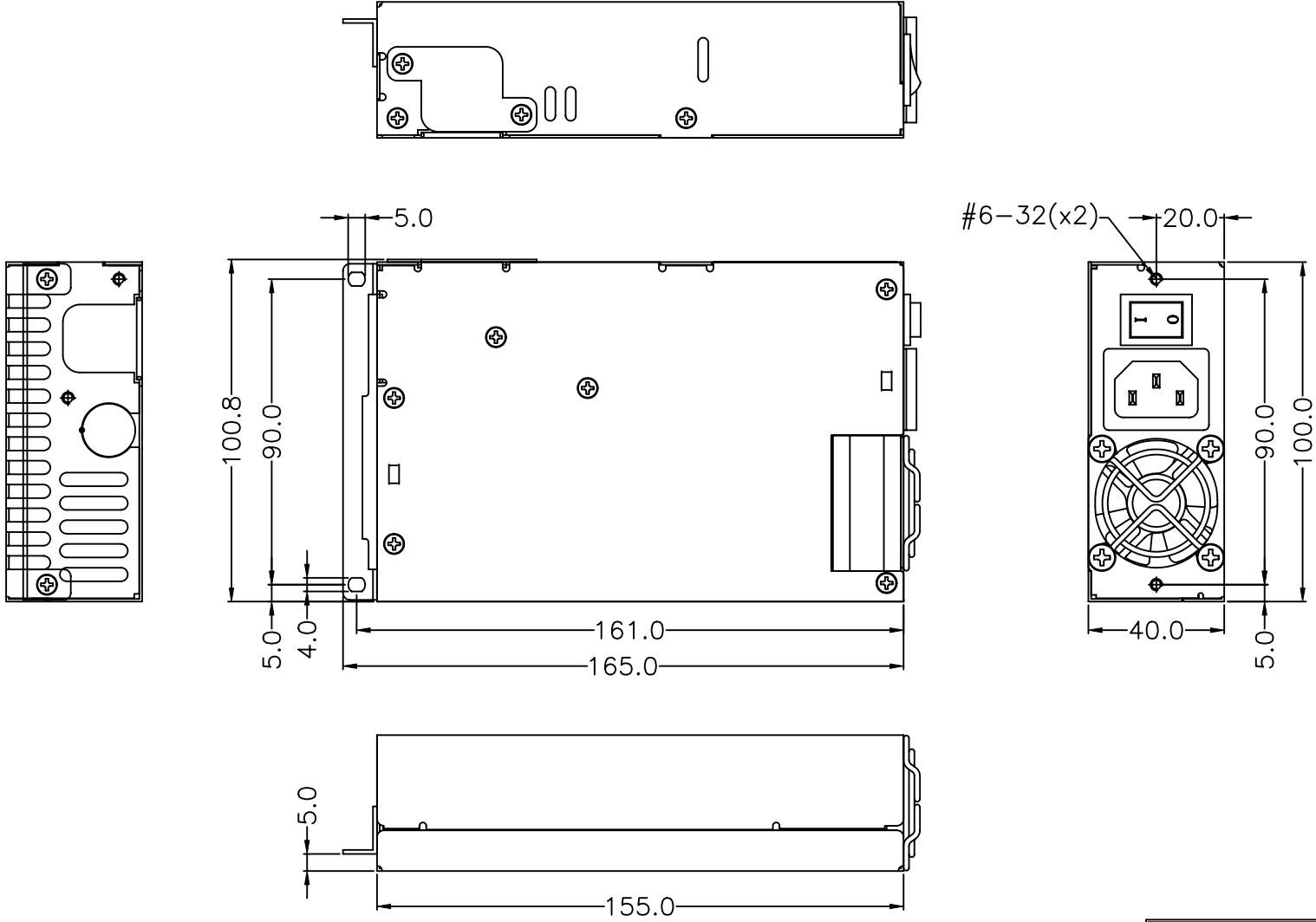
SPECIFICATION:

- TEMPERATURE RANGE: OPERATING 0 --- 40
- HOLD UP TIME: 16 ms MINIMUM AT FULL LOAD & NORMAL INPUT VOLTAGE
- DIELECTRIC WITHSTAND: INPUT / OUTPUT 1500 VAC FOR 1 SECOND
INPUT TO FRAME GROUND 1500 VAC FOR 1 SECOND
- EFFICIENCY: 70% TYPICAL
- POWER GOOD SIGNAL: ON DELAY 100 ms TO 500 ms, OFF DELAY 1 ms
- OVER LOAD PROTECTION: 110% ~ 160%
- OVER VOLTAGE PROTECTION: **+5V → 5.6V ~ 6.6V, 3.3V → 3.6 ~ 4.2V**
+12V → 13.2 ~ 14.6V
- SHORT CIRCUIT PROTECTION: +5V, -5V, +12V, -12V, +3.3V
- EMI NOISE FILTER: FCC CLASS A, CISPR22 CLASS A
- SAFETY: UL 1950, CSA 22.2 NO/ 950, TÜV IEC 950
- REMOTE ON / OFF CONTROL
THE UNIT SHALL ACCEPT A LOGIC OPEN COLLECTOR LEVEL WHICH WILL DISABLE / ENABLE ALL THE OUTPUT VOLTAGE (EXCLUDE +5V STANDBY), AS LOGIC LEVEL IS LOW, OUTPUTS VOLTAGE WERE ENABLE, AS LOGIC LEVEL IS HIGH, OUTPUTS VOLTAGE WERE DISABLE.
- 3.3V / 5V REMOTE SENSING
- COOLING: ONE 40mm DC FAN
- DIMENSION: 155 (D) x 100 (W) x 40.5 (H) mm
- ACTIVE POWER FACTOR CORRECTION MEET IEC-1000-3-2 CLASS D

1 2 3 4 5 6 7

修訂 REVISIONS		日期 DATE
版次 REV.	記述 DESCRIPTION	
A2	圖面修正	AUG-11-2003

A
B
C
D
E



容許公差: TOLERANCES: .XXX ±.025 .XX ±.100 .X ±.250		材料規格: MATERIAL:		品名: MODEL NO: H1U外觀尺寸圖	
核准者: APPROVE BY:		日期: DATE:		料號: PART NO:	
審核者: CHECK BY:		日期: DATE:		圖號: DRAW NO: H1U0MA00	
繪圖者: DRAW BY:		日期: DATE: AUG-11-2003		檔號: FILE NO: H1U0MA00	
第三角法 		日期: DATE: AUG-11-2003		規格: A2 編號: OF	
		單位: mm 版次: A2		規格: A2 編號: OF	

新巨企業股份有限公司
 ZIPPY TECHNOLOGY CORP.
 POWER DIVISION