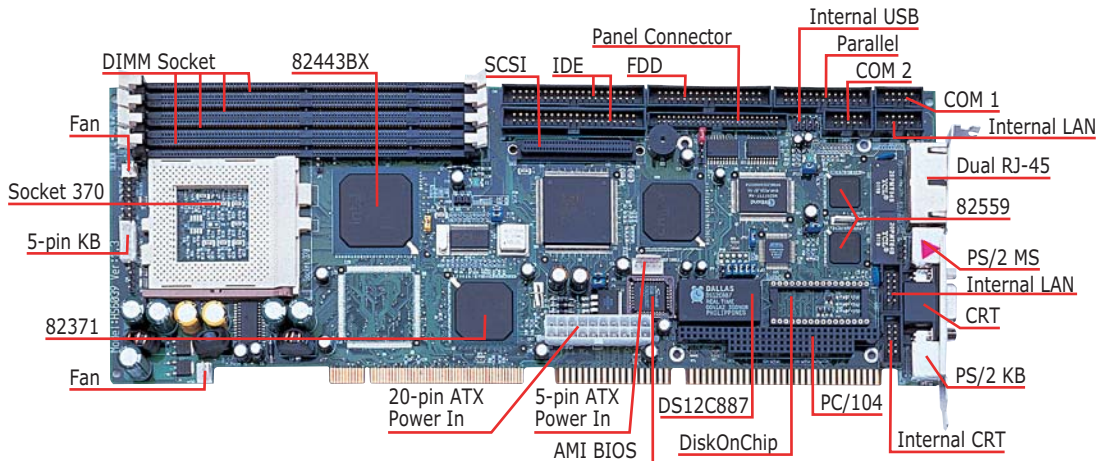


# PICMG Bus Single Board Computer HS-6039

- 133MHz FSB
- IrDA
- PCI Bridge
- USB
- CRT/Panel
- DOC
- Dual LAN
- WDT
- SCSI
- H/W Monitor
- PC/104

Socket 370 133MHz FSB PICMG Bus SBC with CRT/Panel, SCSI & Dual LAN



## ■ Features

- Socket 370 for Intel Celeron/Coppermine 300MHz~1GHz CPU
- Supports 66/100/133MHz FSB
- Four DIMM sockets with a max. capacity of 1GB
- Intel 82443BX/82371 system chipset
- Winbond W83977 super I/O chipset
- Intel 21152 PCI Bridge controller
- C&T 69030 CRT/Panel display controller
- Dual Intel 82559 10/100 Based LAN
- Symbios 53C895 Ultra II SCSI controller
- Two COM, two USB connectors
- PC/104 Bus connector
- DiskOnChip socket supporting memory sizes of up to 288MB
- Supports Hardware Monitor

## ■ Specifications

- \***CPU:** Socket 370 for Intel Celeron/Coppermine 300MHz~1GHz CPU
- \***Bus Interface:** PICMG Bus
- \***Memory:** Four DIMM sockets supporting up to 1GB
- \***Chipset:** Intel 82443BX/82371
- \***I/O Chipset:** Winbond W83977
- \***PCI Bridge:** Intel 21152 or equivalent device
- \***VGA:** C&T 69030 with 4MB memory supporting CRT/Panel displays up to 1600 x 1200 at 64K colors
- \***LAN:** Dual Intel 82559 10/100 Based LAN
- \***SCSI:** Symbios 53C895 Ultra II SCSI controller
- \***IDE:** Four IDE disk drives supporting ATA/33 and with transfer rates of 33MB/sec.
- \***FDD:** Supports up to two floppy disk drives
- \***Parallel:** One enhanced bi-directional parallel port supporting SPP/ECP/EPP
- \***Serial Port:** 16C550 UART-compatible RS-232 x 2 serial ports with 16-byte FIFO
- \***PC/104:** PC/104 Bus connector for 16-bit ISA Bus
- \***IrDA:** One IrDA TX/RX connector
- \***USB:** Two USB connectors
- \***Keyboard:** PS/2 6-pin Mini DIN or 5-pin connector
- \***Mouse:** PS/2 6-pin Mini DIN or 4-pin header
- \***DiskOnChip:** DiskOnChip socket supporting memory sizes of up to 288MB
- \***BIOS:** Award PnP Flash BIOS
- \***Watchdog Timer:** Sets 1/2/10/20/110/220 seconds activity trigger with Reset or NMI
- \***CMOS:** DS12C887 or equivalent device
- \***Power Consumption:** +5V/8A(933MHz CPU), +12V/120mA, -12V/50mA
- \***Temperature:** 0~+60°C (operating)
- \***Hardware Monitor:** Winbond W83783S
- \***Dimensions:** 33.8(L) x 12.1(W) cm

## ■ Ordering Guide

- **HS-6039** Socket 370 133MHz FSB SBC w/CRT/Panel, SCSI & Dual LAN
- **HS-6039LLV** Socket 370 133MHz FSB SBC w/CRT/Panel & Dual LAN
- **HS-6039LV** Socket 370 133MHz FSB SBC w/CRT/Panel & LAN
- **HS-6039V** Socket 370 133MHz FSB SBC w/CRT/Panel



ISO 9001  
Certification

Intel  
Communications  
Alliance  
Affiliate Member

