

GAUMER PROCESS

HEATERS
SYSTEMS
CONTROLS

Flanged Heaters - Type IF Rated 90/60 watts/sq.in.

APPLICATIONS

90 Watts Per Square Inch

For heating clean water only in commercial and/or residential applications. Element life is sacrificed in favor of a low initial heater cost.

60 and 45 Watts Per Square Inch

Industrial water heating - many aqueous solutions which are compatible with steel and Incoloy.

23 and 20 Watts Per Square Inch

For heat transfer oil, cleaners, high temperature air and gas heating.

15 and 12 Watts Per Square Inch

For lubricating oils, medium viscosity oils, high temperature air and gas heating.

8 and 6 Watts Per Square Inch

For #5 and #6 fuel oil heating, viscous materials, raw crude oil, residual oils, high temperature air and gas heating.

4 and 2 Watts Per Square Inch

For asphalt and other hard-to-heat substances, extra high temperature air and gas.

STANDARD FEATURES

Heating Elements

- Incoloy 800 Sheath Material
- Heavy Wall (.035 in.)
- Large diameter (.475 in.)
- Sealed Terminals

Spacers

- High Temp Alloy Material
- Rugged Design
- "Evenflow" Configuration

Construction

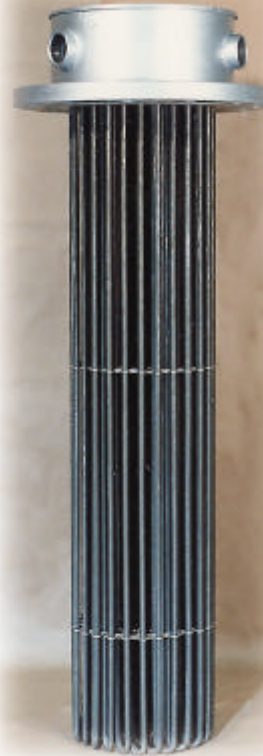
- Welded Heating Elements
- Welded Terminal Housing
- Welded Spacers

Installation

- Flying Leadwires Provided
- Only Standard Materials Needed in Field

Service

- Wiring Modifiable in Field
- Assembly Repairable at Factory



SPECIAL FEATURES

- ER Explosion Resistant Terminal Enclosure
- LT Moisture Resistant Terminal Enclosure
- J(K) Sheath Sensing Thermocouple attached to one element for overheat protection.
- S Stainless Steel Flange - Type 304
- SS Stainless Steel Flange - Type 316
- SpHtr Space Heater Mounted in Terminal Enclosure
- OSTHsg Offset (Spaced Away) Terminal Housing
- XX Special Feature not Listed Above
- 3(?)-(P/N) 300(?)# ANSI Flange

11/19/2001

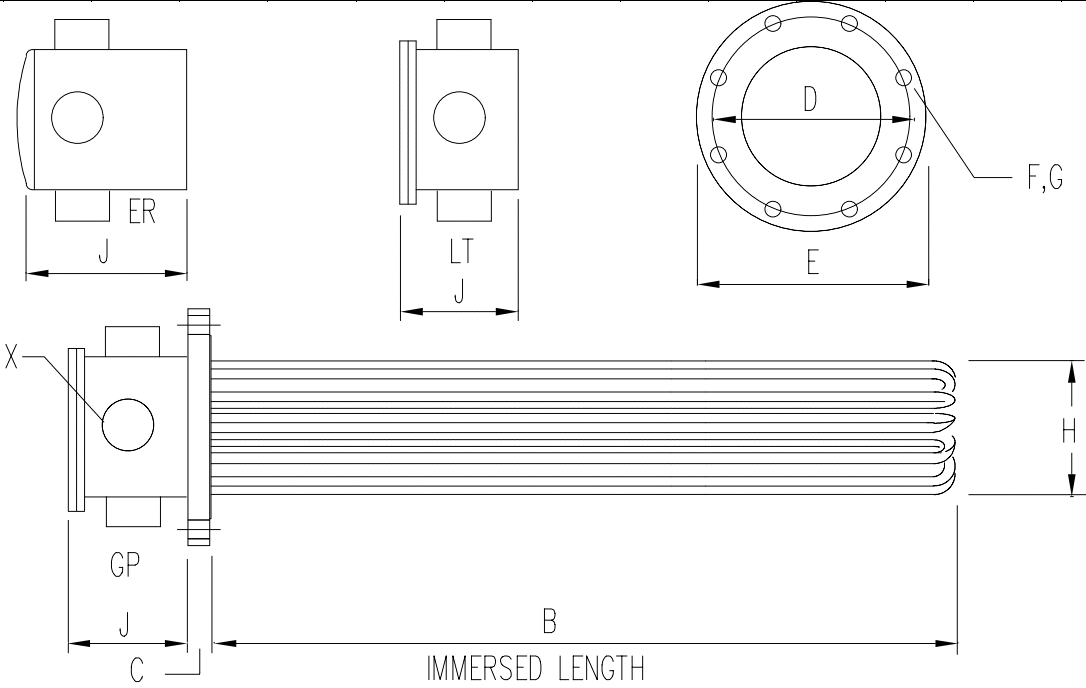
GAUMER COMPANY, INC. · 13616 Hempstead Road · Houston · Texas · 77040 · Ph: 713.460.5200
Ph: 800.460.5200 · Fx: 713.460.1444 · Fx: 800.460.5700 · www.gaumer.com · sales@gaumer.com

Flanged Heaters

Type IF

**Gaumer Drawing No. IF-200
(Dimension Flange Heater Detail)**

Flange Size	Pressur Class	Flange Dimensions (inches)			Hole Size	No. of Holes	Min. Hole Diam.	Housing Height (inches)			X - No and Size Conduit Connection		
		C Thick	D Diam:	E Diam:				F	G	H	J GP:	J ER:	J LT:
2-1/2	150	7/8	5-1/2	7	3/4	4	2-1/4	2-5/8	5-1/2	2-5/8	1@1	2@1-1/4	1@1
2-1/2	300	1	5-7/8	7-1/2	7/8	8	2-1/4	2-5/8	5-1/2	2-5/8	1@1	2@1-1/4	1@1
3	150	0-15/16	6	7-1/2	3/4	4	2-3/4	2-5/8	5-1/2	2-5/8	1@1	2@1-1/4	1@1
3	300	1-1/8	6-5/8	8-1/4	7/8	8	2-3/4	2-5/8	5-1/2	2-5/8	1@1	2@1-1/4	1@1
4	150	0-15/16	7-1/2	9	3/4	8	3-13/16	5-1/2	6-1/2	5-1/2	4@1-1/2	2@1-1/2	4@1-1/2
4	300	1-1/4	7-7/8	10	7/8	8	3-13/16	5-1/2	6-1/2	5-1/2	4@1-1/2	2@1-1/2	4@1-1/2
5	150	0-15/16	8-1/2	10	7/8	8	4-13/16	5-1/2	6-1/2	5-1/2	4@1-1/2	2@1-1/2	4@1-1/2
5	300	1-3/8	9-1/4	11	7/8	8	4-13/16	5-1/2	6-1/2	5-1/2	4@1-1/2	2@1-1/2	4@1-1/2
6	150	1	9-1/2	11	7/8	8	5-3/4	5-1/2	8	5-1/2	4@1-1/2	4@1-1/2	4@1-1/2
6	300	1-7/16	10-5/8	12-1/2	7/8	12	5-3/4	5-1/2	8	5-1/2	4@1-1/2	4@1-1/2	4@1-1/2
8	150	1-1/8	11-3/4	13-1/2	7/8	8	7-13/16	5-1/2	9	5-1/2	4@1-1/2	4@1-1/2	4@1-1/2
8	300	1-5/8	13	15	1	12	7-13/16	5-1/2	9	5-1/2	4@1-1/2	4@1-1/2	4@1-1/2
10	150	1-3/16	14-1/4	16	1	12	9-5/8	7	11	7	4@2	4@2	4@2
10	300	1-7/8	15-1/4	17-1/2	1-1/8	16	9-5/8	7	11	7	4@2	4@2	4@2
12	150	1-1/4	17	19	1	12	11-5/8	7	11	7	4@2	4@2	4@2
12	300	2	17-3/4	20-1/2	1-1/4	16	11-5/8	7	11	7	4@2	4@2	4@2
14	150	1-3/8	18-3/4	21	1-1/8	12	12-1/2	7	11	7	4@2	4@2	4@2
14	300	2-1/8	20-1/4	23	1-1/4	20	12-1/2	7	11	7	4@2	4@2	4@2
16	150	1-7/16	21-1/4	23-1/2	1-1/8	16	14-1/2	9	13	9	4@2	4@2	4@2
16	300	2-1/4	22-1/2	25-1/2	1-3/8	20	14-1/2	9	13	9	4@2	4@2	4@2
18	150	1-9/16	22-3/4	25	1-1/4	16	16-3/8	9	13	9	4@2	4@2	4@2
18	300	2-3/8	24-3/4	28	1-3/8	24	16-3/8	9	13	9	4@2	4@2	4@2
20	150	1-11/16	25	27-1/2	1-1/4	20	18-5/16	9	13	9	4@2	4@2	4@2
20	300	2-1/2	27	30-1/2	1-3/8	24	18-5/16	9	13	9	4@2	4@2	4@2
24	150	1-7/8	29-1/2	32	1-3/8	20	22-1/8	11	15	11	6@2	6@2	6@2
24	300	2-3/4	32	36	1-5/8	24	22-1/8	11	15	11	6@2	6@2	6@2



11/19/2001

**GAUMER COMPANY, INC. · 13616 Hempstead Road · Houston · Texas · 77040 · Ph: 713.460.5200
Ph: 800.460.5200 · Fx: 713.460.1444 · Fx: 800.460.5700 · www.gaumer.com · sales@gaumer.com**