

# BPS-270RD/270RDX

270W PS/2 Type Hot-Swap Redundant Power Supply



BPS-270RD/270RDX is a compact (exact PS/2 size) redundant power supply for "Mission Critical" applications. As "High Availability" becomes a common requirement, now the redundant power supply is part of non-stop computers. With its compact PS/2 size, BPS-270RD/RDX can be easily applied to get great added value of "High Availability" without changing any mechanism or redesigning systems.

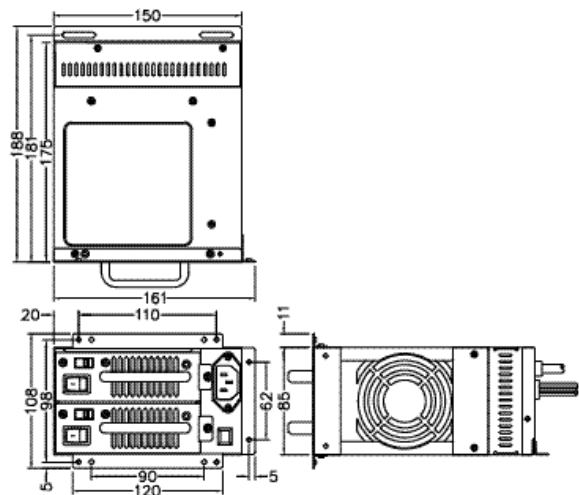
## Specifications

♦ Input	Voltage	AC 90 ~ 132V, 180 ~ 264V selectable				
	Frequency	47 ~ 63 Hz				
	Current	6A@115V, 3A@230V				
♦ DC Output		+5V	+12V	+3.3V	-5V	-12V
	Max. Load	30A	16A	20A	0.5A	0.5A
	Min. Load	3A	1A	3A	0A	0A
	Max. Watt.	240W			10W	
	Load Reg.	+/-5%	+/-5%	+/-5%	+/-10%	+/-10%
	Cross Reg.	+/-5%	+/-5%	+/-5%	+/-10%	+/-10%
	Line Reg.	+/-1%	+/-1%	+/-1%	+/-1%	+/-1%
	Ripple	+/-1%	+/-1%	+/-1%	+/-1%	+/-1%
Noise	+/-1%	+/-1%	+/-1%	+/-2%	+/-2%	
♦ Efficiency	> 75% at full load					
♦ Holdup Time	20ms. at full load					
♦ Hi-Pot Test	1.5KVRMS, 60sec. from i/p to ground 3.0KVRMS, 60sec. from i/p to o/p					
♦ Over Voltage Protection	+5V: 5.6V ~ 6.5V/+12V: 12.6V ~1 5.6V					
♦ Over Current Protection	+5V, +12V: 130% ~ 150%					
♦ Over Load Protection	Total o/p 110% ~ 130%					
♦ MTBF	> 176,000hrs					
♦ Safety Approval	UL, CUL, TUV, CE					
♦ Temperature/Humidity	Operating : 0 ~ 50°C, 20 ~ 90%RH Storage : -20 ~ 60°C, 5 ~ 95%RH					
♦ Dimension (WxDxH)	150x175x86 mm / 5.9"x6.9"x3.4"					

## Features

The most compact hot-swap redundant PSU with standard PS/2 size to fit into a limited space
Two 250W hot-swap redundant modules provide 500W output for the new computers high-frequency CPUs
Provide 1.5A@-12V for CTI systems
High reliable ball bearing sensitive fan
Equipped with 4-ear brackets for fixing the PSU easily and flexibly
Alarm beeping and LED indicator of defective module for field replacement directly
Enhanced swappable fan to get high security for 100% mission critical applications
Support 3.3V and stand-by +5V (1.5A) output ( ATX 2.01) with a 20-pin ATX connector for ATX /B (BPS-270RDX and BPS-270RDX-1)

## Engineering Drawing



## Ordering Guide

- ♦ **BPS-270RD**  
270W PS/2 type redundant PSU
- ♦ **BPS-270RDX**  
270W PS/2 type ATX output redundant PSU
- ♦ **BPS-270RD-1**  
270W PS/2 type front loading redundant PSU with swappable fan
- ♦ **BPS-270RDX-1**  
270W PS/2 type front loading ATX output redundant PSU with swappable fan