

Photoelectric System Smoke Detector

8000/8003

Applications

The Gentex 8000/8003 Series of photoelectric detectors is designed for commercial, industrial, residential and institutional applications. The 8000/8003 is engineered to provide outstanding performance wherever reliable fire protection is required.

The Gentex 8000/8003 Series provides an exclusive patented three position test feature that simulates a 0.85% and a 3.5% actual smoke condition, in full compliance with NFPA 72 and UL 268 Standards. The test feature has the capability to let you know when maintenance is required.

A standard Form A dry relay contact for connection to the system initiating circuit and an auxiliary Form C dry relay contact is provided on all models for use for remote annunciation as a releasing device services. Other options include reverse/local 90dBA solid-state piezo horns and 135°F fixed temperature self-restoring integral or isolated thermals to meet your specific requirements.

The 8003 Series provides the temporal 3 evacuation tone as a standard feature. When testing the 8003 Series it may take up to 16 seconds longer to go in or out of alarm.

Standard Features

- Available in 120VAC and 24VDC
- Horn Frequency 3100 Hz (Nominal)
- Nominal 2.5% Sensitivity
- Functional Test Switch — Patented Three Position Test
- On Site Maintenance Washing Program
- Form A/Form C Dry Relay Contacts
- Quick-Disconnect Wiring Harness
- 2 Year Warranty from Date of Purchase
- 5-to-1 Signal-to-Noise Ratio
- Pulsing LED Sensing Chamber
- Fully Insect Screened
- Solid-State LED Condition Indicator
- Mounting Hardware Adapts to Standard Junction Boxes
- Dust Cover to Prevent Contamination During Installation
- Protective High Air Velocity Gasket
- Suitable for release device service
- Temporal 3 Evacuation Sounding Device (8003 Series)

S E R I E S



Product Listings



This symbol on the product's nameplate means it is Listed by UNDERWRITERS LABORATORIES, INC.

- BS+A/MEA #928-84-SA
- CSFM Listings (7272-0569:102)
- MSFM Listing #1929
- UL 268 Listed

Product Compliance

- NFPA 72



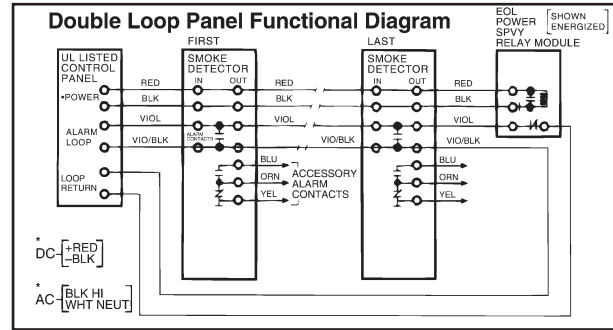
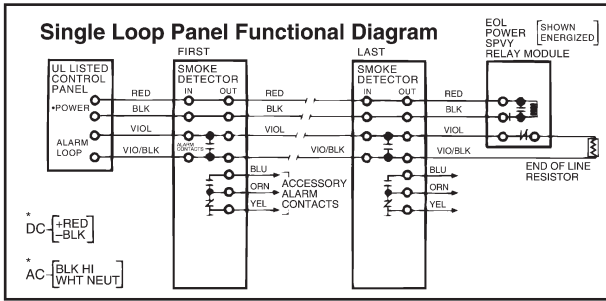
**8000 (8240/8100) Series - 4 Wire Photoelectric System Detectors
24 VDC and 120 VAC**

Model Number	Part Number	Voltage	Reverse/ Local 90dBA Piezo	Integral 135°F Thermal	Isolated 135°F Thermal	Non- Latching Circuit "Y"
8240	908-1201-002	24 VDC				
8240Y	908-1207-002	24 VDC				●
8240T	908-1203-002	24 VDC		●		
8240P	908-1202-002	24 VDC	●			
8240PT	908-1205-002	24 VDC	●	●		
8240PTY	908-1209-002	24 VDC	●	●		●
8240PY	908-1208-002	24 VDC	●			●
8240PH	908-1206-002	24 VDC	●		●	
8240PHY	908-1210-002	24 VDC	●		●	●
8100	908-1233-002	120VAC				
8100Y	908-1239-002	120VAC				●
8100T	908-1234-002	120VAC		●		
8100P	908-1236-002	120VAC	● (local)			
8100PY	908-1240-002	120VAC	● (local)			●

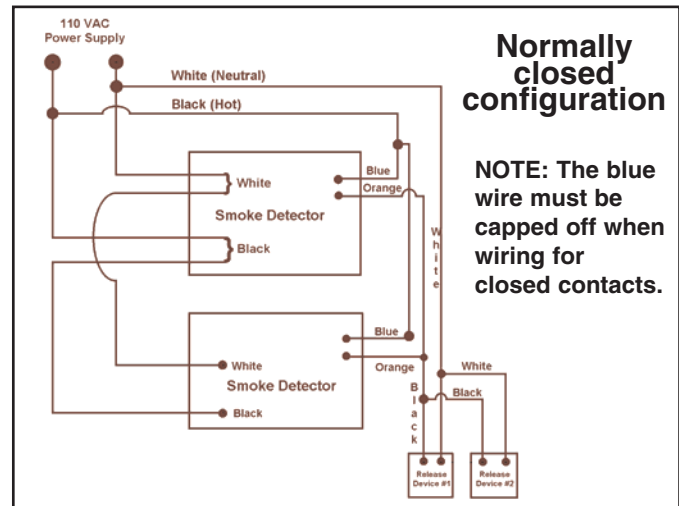
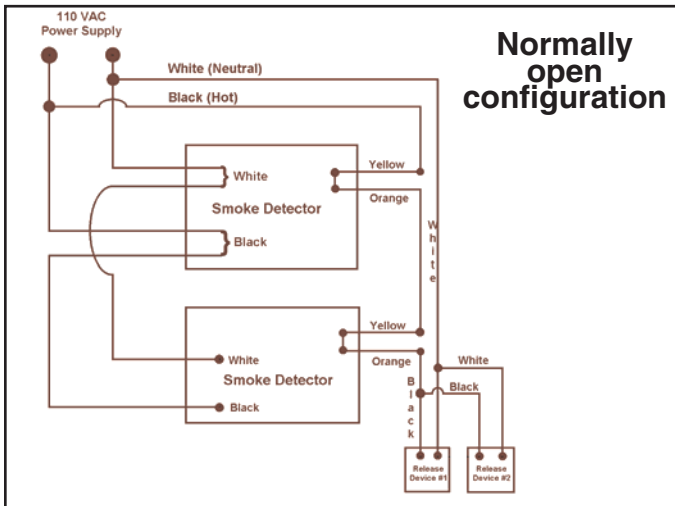
**8003 (8243/8103) Series - 4 Wire w/Temporal 3 Sounder Photoelectric
System Detectors 24 VDC and 120 VAC**

Model Number	Part Number	Voltage	Reverse/ Local 90dBA Piezo	Integral 135°F Thermal	Isolated 135°F Thermal	Non- Latching Circuit "Y"
8243P	908-1211-002	24 VDC	●			
8243PT	908-1212-002	24 VDC	●	●		
8243PTY	908-1215-002	24 VDC	●	●		●
8243PY	908-1214-002	24 VDC	●			●
8243PH	908-1213-002	24 VDC	●		●	
8243PHY	908-1216-002	24 VDC	●		●	●
8103P	908-1243-002	120VAC	● (local)			
8103PY	908-1246-002	120VAC	● (local)			●

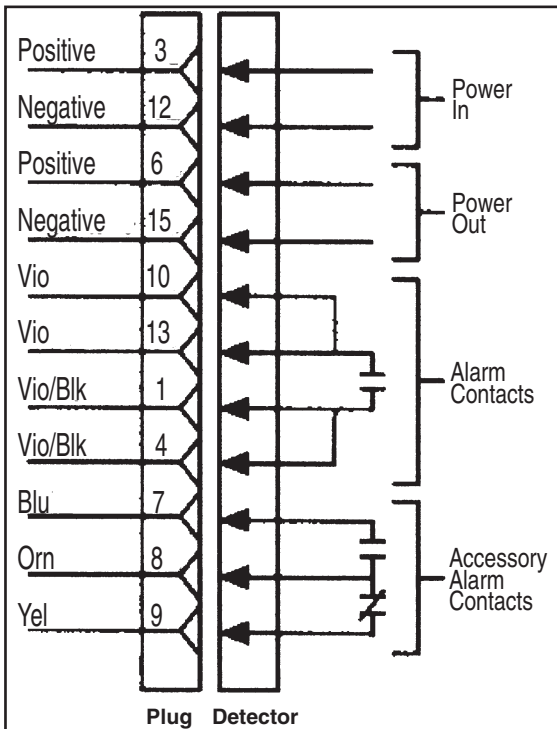
Wiring Diagrams



Wiring for Releasing Device Service

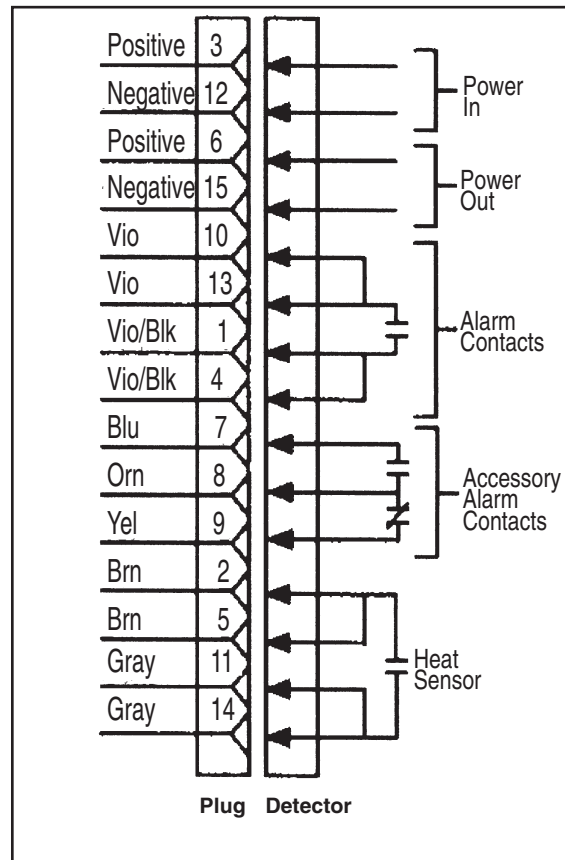


Detector Wiring Diagram



NOTE: Supervision of power is necessary and is accomplished by installing an End of Line Relay Assembly. The EOL Relay Assembly contacts are closed when energized and are wired in series with the alarm loop. Power failure or a break in the power loop de-energizes the EOL Relay, causing the relay contacts to open. This results in a trouble signal at the control panel.

For "H" — Isolated Thermal



8000/8003

SERIES

Electrical Specifications

Model Numbers	8240	8100
Operating Voltage Nominal:	24 VDC	120 VAC
Range Min:	18 VDC	110 VAC
Max:	30 VDC	130 VAC
Frequency	—	60HZ
Current Consumption at Nominal Operating Voltage (Milliamperes):		
Standby	6mA	70mA
Alarm	60mA	70mA
Note: For "P" Option (Horn), Alarm Current Consumption is unchanged.		
Sensitivity	2.5% Nominal	
Alarm Contacts	1 Form A -N.O. (Resistive) 1 Amp at 24 VDC 0.6A at 120 VAC	
Auxiliary	1 Form C -N.O. (Resistive) 1 Amp at 24 VDC 0.6A at 120 VAC	
Temperature	40°-100°F. (4.4°C-38°C)	
Humidity	10%-93% Relative Humidity	
Size	Diameter: 6 1/2 OD (5 3/4 in. at ceiling) Depth: 2 5/8 in.	

Architect & Engineering Specifications

The Photoelectric Smoke Detector shall be a Gentex Model 8100/8103/8240/8243 or approved equal and shall operate on the photoelectric light scattering principle and shall be listed by Underwriter's Laboratories, Inc., the State of California Fire Marshal and the Bureau of Standards and Appeals (NYC).

The smoke detector shall contain an infrared LED light source and a light sensing photodiode. These components shall be positioned such that when smoke particles enter the sensing area, light from the LED reflects onto the photodiode. When the amount of light reflected onto the photodiode reaches a predetermined level, the detector shall latch into alarm.

The smoke detector shall contain a test knob that, when in TEST 1 Position, scatters the detector's LED light source to the equivalent of a nominal .85% actual smoke condition, when in Test 2 position the detector shall simulate an equivalent of a nominal 3.5% actual smoke condition. Test feature shall indicate when maintenance is required without the need of additional equipment. A magnetic switch closure or other switch closure, or smoke generating equipment which does not scatter the light beam or test sensitivity is not sufficient.

The smoke detector shall be able to contain an optional internal 90dBA horn (at 10 feet) which emits an intermittent tone when the detector alarms. Also have the provision of reverse polarity operation. The horn shall have the capability of being self-restoring.

The smoke detector shall be able to provide a self-restoring integral/isolated heat sensor set to alarm at 135°F fixed temperature.

The smoke detector shall be provided from the manufacturer with all internal wiring (power in, power out and alarm contacts have 2 wires, auxiliary relay contacts each have 1 wire) leading into a plug-in terminal socket for ease of field installation. Screws are not acceptable since they make service more difficult. The manufacturer shall further supply the field wiring harness with plug connector for connection to insulated wire connectors. The smoke detector shall mount to a 2" x 3" switch box or 4" octagon junction box using a standard bracket that does not have to be purchased separately. The smoke detector shall be listed for wall or ceiling mounting.

24 units per carton
32 pounds per carton

GENTEX CORPORATION

Fire Protection Products: www.gentex.com
10985 Chicago Drive Box 310 • Zeeland, Michigan 49464
616.392.7195 • 1.800.436.8391 • 616.392.4219 Fax

Important Notice:

These materials have been prepared by Gentex Corporation ("Gentex") for informational purposes only, are necessarily summary, and are not purported to serve as legal advice and should not be used as such. Gentex makes no representations and warranties, express or implied, that these materials are complete and accurate, up-to-date, or in compliance with all relevant local, state and federal laws, regulations and rules. The materials do not address all legal considerations as there is inevitable uncertainty regarding interpretation of laws, regulations and rules and the application of such laws, regulations and rules to particular fact patterns. Each person's activities can differently affect the obligations that exist under applicable laws, regulations or rules. Therefore, these materials should be used only for informational purposes and should not be used as a substitute for seeking professional legal advice. Gentex will not be responsible for any action or failure to act in reliance upon the information contained in this material.

551-0039-01