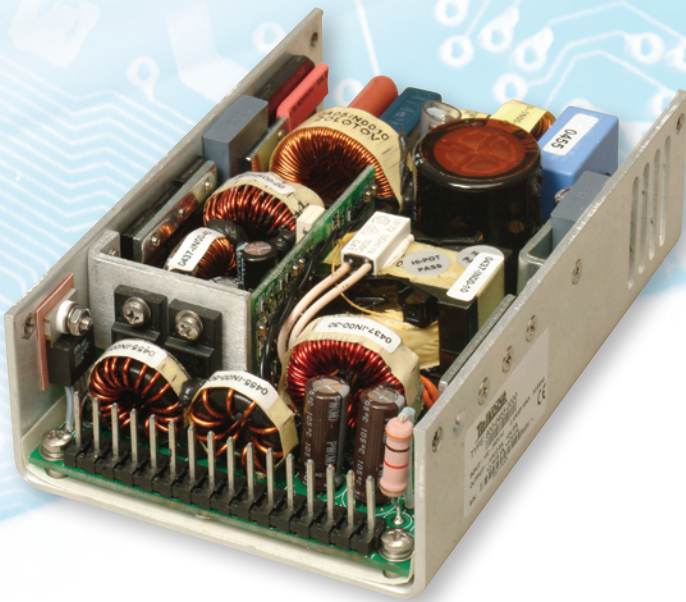


DP Series

200 Watt High Density Quad Output DC/DC Power Supply



PRODUCT DESCRIPTION

The DP Series of switching power supplies utilizes advanced component and circuit technologies to deliver the industry's smallest 200 Watt DC/DC power supply. Built to meet 1U height considerations, the U-Frame package measures only 3.30 x 5.00 x 1.50". DP200 models offer 48 VDC input with flexible output configurations and compliance to worldwide safety and EMC standards. Features include:

- 200W compact high-density models
- Active load current share
- 36-72 DC input
- Ruggedized U-Channel construction
- RoHS compliant
- Includes OR-ing diode for N+1 parallel operation
- International regulatory approvals

INPUT

Input Voltage	36-72 VDC
Input Reflected Ripple	FCC 68 part 15 Class B with External line filter
Input Line Protection	Single Fuse

OUTPUT

Line Regulation	$\pm 0.2\%$ for V_{in} (min.) to V_{in} (max.)
Transient Response	Better than 5% For 50% Step Load
Over-Voltage Protection	125% Typical Latched Shut-down
Load Regulation (V1 & V2)	$\pm 0.51\%$ Max
Min. Load Requirement	None
Turn-On Delay	2 Sec. Max.
Initial Setting Accuracy	$\pm 0.4\%$ Max. For V1 & V2
Ripple @ Noise (V1)	1% p-p Max.
Overload Protection (V1 & V2)	120-130% Typical of Max Output Load

ENVIRONMENTAL

Operation Temperature	-5C to +50C. De-rate of 2.5% per 1Deg. C up to +71C
Temperature Protection	Shutdown (Internal Heat-Sink Temp. >90C), Auto recovery
Storage Temperature	-25C to +85C
Cooling	Forced Air Cooling 250LFM
Humidity	Up to 95% RH Non-condensing
Shock & Vibration	0.75G Peak 5Hz - 500Hz
MTBF	>300,000 Hours

STATUS & CONTROL

Remote Inhibit	ACTIVE Low-output shut down
Power OK	Open Collector ACTIVE Low - Any Output drops below 10%
Current Share	Single Wire, $\pm 10\%$ accuracy
Remote Sense	Compensates for < 500mV drop
Auxiliary Output	5V / 5mA

ELECTROMAGNETIC COMPATIBILITY

Electrostatic Discharge	EN61000-4-2, ± 4 KV Contact / ± 8 KV Air Discharge
Radiated Susceptibility	EN61000-4-3, 26-1000MHz, 10V/M, 80% AM
EFT / Bursts	EN61000-4-4, ± 2 KV
Surges	EN61000-4-5, ± 2 KV Line-Earth, ± 1 KV Line-Line
Conducted Immunity	EN61000-4-6, 0.15-800MHz, 10V, 80% AM
Voltage Dips	EN61000-4-11, 95% Dip & 10ms, 30% Dip & 500ms
Voltage Interruptions	EN61000-4-11, 95% Reduction, 5s
Fluctuations & Flicker	EN61000-3-3

SAFETY & EMISSIONS

Safety Approvals	UL/cUL 60950, EN60950, CE Mark (LVD)
------------------	--------------------------------------

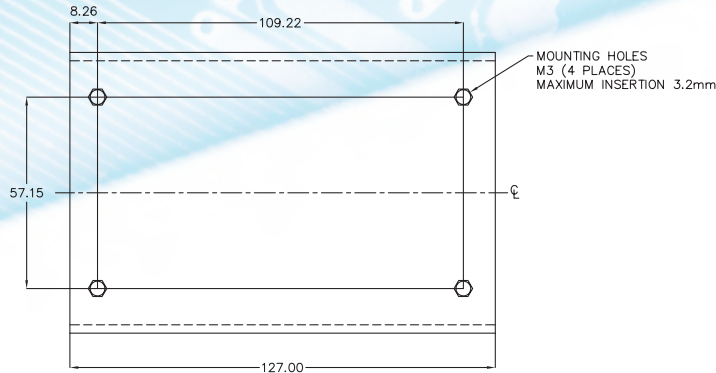


DP Series

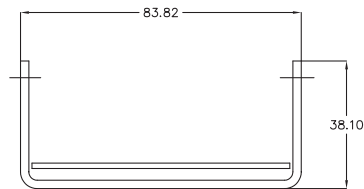
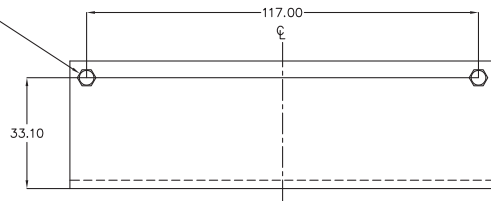
200 Watt High Density Quad Output DC/DC Power Supply

Model Selection Guide

Model	Input	Output Power	V1 Output	V2 Output	V3 Output	V4 Output	Efficiency (Typical)
DP200-433	48VDC (36-72)	200 Watts	+5/15A	+3.3/15A	+12V/3.5A	-12V/1.5A	82-85%



MOUNTING HOLES
M3, ON BOTH SIDES
(4 PLACES)

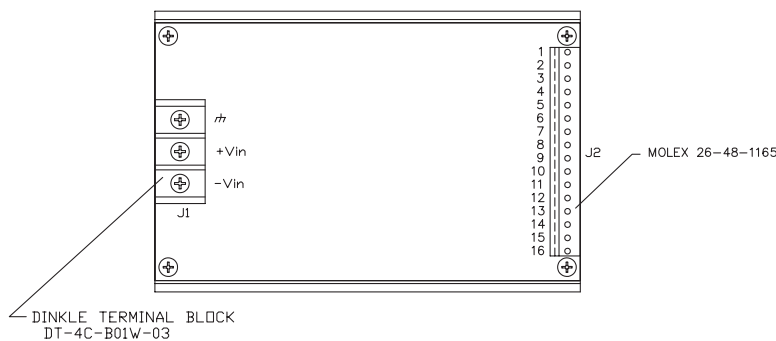


J1 PINOUT

1	GND
3	+Vin
5	-Vin

J2 PINOUT

1	RTNV
2	RTNV
3	RTNV
4	+5V
5	+5V
6	+5V
7	+3.3V
8	+3.3V
9	+3.3V
10	RTN
11	RTN
12	RTN
13	RTN
14	+12V
15	DC FAIL/INHIBIT
16	-12V



J2 MATING CONNECTOR

HOUSING MOLEX P/N: 26-03-4161 QTY. 1
PIN MOLEX P/N: 08-52-0113 QTY. 16

DIGITAL POWER
NORTH AMERICA / ASIA
www.digipwr.com

41324 Christy Street
Fremont, CA 94538, USA
Phone (510) 657 2635
Fax (510) 657 6634
sales@digipwr.com

GRESHAM POWER
UK / EUROPE
www.greshampower.com

Gresham House, Telford Road
Salisbury, Wiltshire SP2 7PH, UK
Phone +44 (0) 1722 413 060
Fax +44 (0) 1722 413 034
enquiries@greshampower.com

TELKOOR POWER
ISRAEL
www.telkoor.com

5 Giborey Israel Street
Natanya, Israel 42293
Phone +972 9 8632333
Fax +972 9 8658444
sales@telkoor.com