

# V.35 inline probe ASE

## *With LinkSafe capabilities*

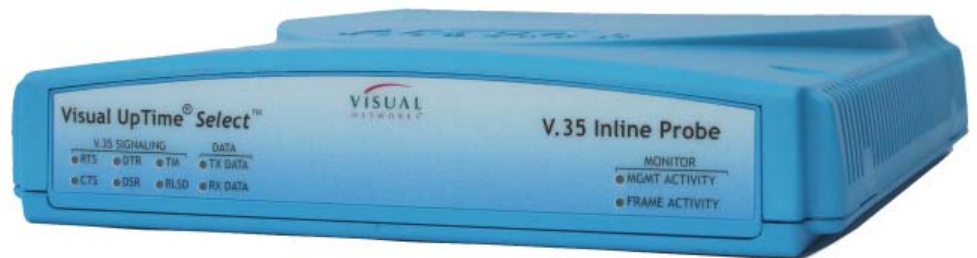
### Key features

- Inband management capabilities
- LinkSafe technology
- Multi-Protocol or IP Transport software
- Service Level Agreement (SLA) metrics
- Voice over IP (VoIP) analysis capability
- Application analysis capability
- LMI spoofing
- LAN management port
- Power loss detection
- Realtime events

The Visual UpTime® Select™ V.35 LinkSafe™ inline probe ASE is deployed inline on a T1 access line, typically between a CSU/DSU and customer premises equipment. This ASE supports Multi-Protocol software for deployment in standard frame relay or HDLC networks and IP Transport software for deployment in frame relay or HDLC-based networks that use IP switching.

The V.35 inline probe ASE supports V.35 connectivity through a V.35 Data Terminal Equipment (DTE) interface on the network side and Data Communications Equipment (DCE) interface on the user side.

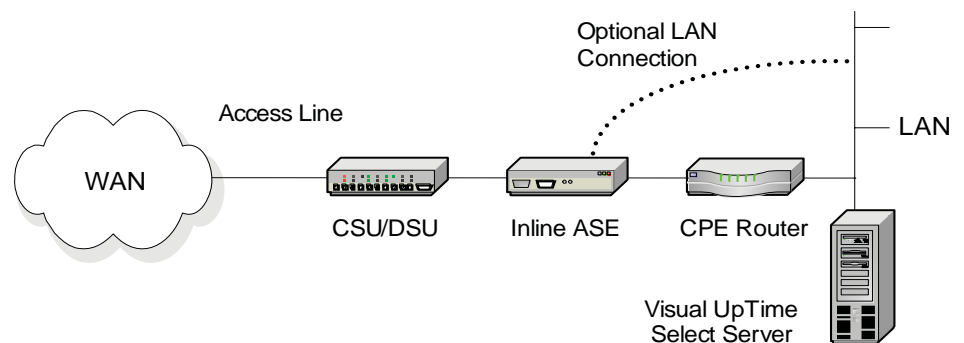
The ASE operates at data rates up to 2.048 Mbps, deriving timing from the network-side and sourcing timing on the user side. It also includes LinkSafe technology to protect circuit integrity in case of an ASE outage, as well as power failure notification.



V.35 inline probe model 807-0104 front view



V.35 inline probe model model 807-0104 rear view



V.35 inline probe model 807-0104 position on network



V.35 inline probe ASE specifications		
<b>General</b>	Dimensions	8.16" (20.7 cm) x 9.0" (22.8 cm) x 1.62" (4.1 cm) Plastic case with internal power supply
	Weight	2.10 lbs.
	Data Rate	0 to 2.048 Mbps synchronous
	Timing Mode	RD: Always synchronous with SCR SD: Synchronous with SCT or SCTE
<b>Environment</b>	Operating Temperature	0° to +40°C (+32° to +104° F)
	Storage Temperature	-20° to +55°C (-4° to +131° F)
	Clearance Requirement	Minimum of 3" (7.62 cm) space on sides.
	Operating and Storage Humidity	10% to 80%, noncondensing
<b>Power Requirements</b>	Input	100 to 240 VAC
	Frequency	50/60 Hz
	Input Current Rating	0.5 amps
<b>V.35 User Interface (DCE)</b>	Configuration	DCE for interfacing with DTE
	Data and Clock Leads	ITU-T V.35
	Signaling Leads	EIA RS-232 (ITU-T V.28)
	Connector	Female 34-pin V.35 connector
	Signaling	RTS, DTR
<b>V.35 Network Interface (DTE)</b>	Configuration	DTE for interfacing with DCE
	Data and Clock Leads	ITU-T V.35
	Signaling Leads	EIA RS-232 (ITU-T V.28)
	Connector	Female 34-pin V.35 connector
	Signaling	CTS, RLS, DSR
<b>Serial Port Interface</b>	Baud Rate	19200 or 9600 bps
	Parity	8 data bits, no parity
	Stop Bit	1 stop bit
	Electrical Format	EIA RS-232, DTE
	Connector	RJ-45
<b>Ethernet 10/100BaseT Interface</b>	Bite Rate	10 or 100 Mbps
	Connector	8-pin modular jack: RJ-48

## What are ASEs?

ASEs (Analysis Service Elements) are data collection and network performance monitoring hardware devices placed on a wide area network (WAN) or Local Area Network (LAN) as part of the Visual UpTime Select system, which offers in-depth, real-time, and historical visibility into the performance of your applications infrastructure. In the system, data gathered by ASEs is stored in the Visual UpTime Select server and displayed and analyzed from the Visual UpTime Select Web client. As a service level management tool, ASEs indicate when services are being met, provide warnings when services start to degrade, and send alerts when services are not met.

## Hardware Warranties

Enhanced Gold, Bronze, and International Gold ASE hardware warranty service programs are available to help you maximize your investment in Visual UpTime Select. For more detailed warranty information, visit: [www.flukenetworks.com/visualcustomercare](http://www.flukenetworks.com/visualcustomercare)

## Ordering Information

For more details, please contact your Visual UpTime Select authorized reseller or Fluke Networks Sales at (800) 240-4010 or (301) 296-2300.

### NETWORK SUPERVISION

Fluke Networks  
P.O. Box 777, Everett, WA USA 98206-0777

Fluke Networks operates in more than 50 countries worldwide. To find your local office contact details, go to [www.flukenetworks.com/contact](http://www.flukenetworks.com/contact).

©2006 Fluke Corporation. All rights reserved.  
Printed in U.S.A. 2/2006 2643465 D-ENG-N Rev A