

Nano-ITX Series

VIA EPIA NL

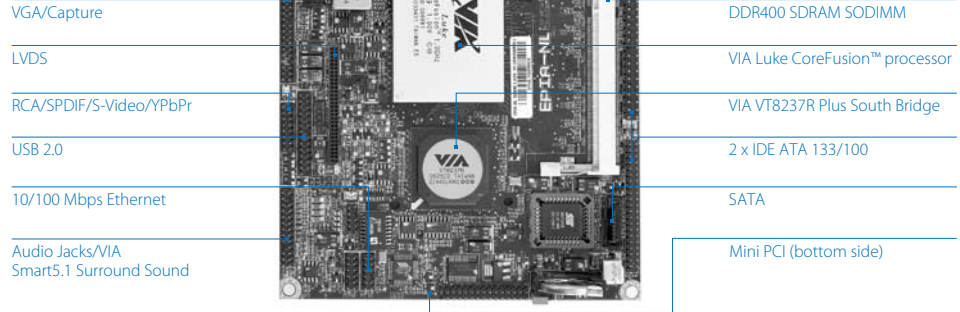
Nano-ITX Luke Board with
Low-Profile Design and
MPEG-2 & 4 & HDTV

Features

- Integrated VIA UnChrome™ Pro AGP graphic with MPEG-2/4 decoding acceleration
- Low profile design: All back panel I/O in pin header format
- Supports HDTV resolution
- SCART output pin header
- COM port pin header



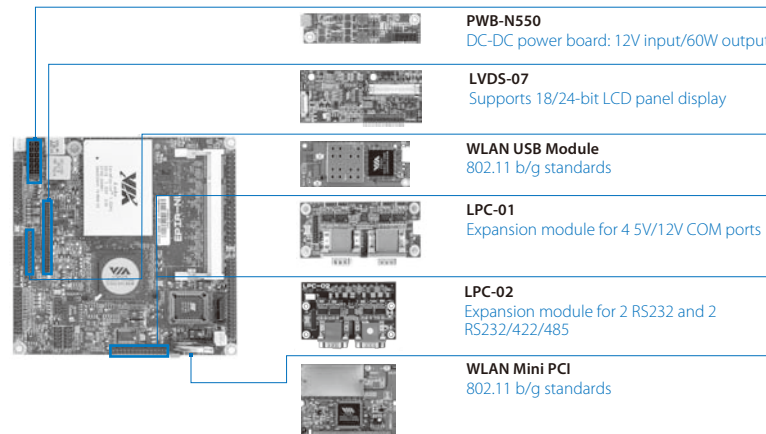
Board Placement



Specifications

Model Name	EPIA NL10000G	EPIA NL8000EG	EPIA NL5000EG
Core Logic	VIA Luke 1.0GHz VIA VT8237R Plus South Bridge	VIA Fanless Luke 800MHz VIA VT8237R Plus South Bridge	VIA Fanless Luke 500MHz VIA VT8237R Plus South Bridge
System Memory	1 x DDR400/333/266 SODIMM socket Up to 1GB memory size		
VGA	Integrated VIA UniChrome™ Pro AGP graphics with MPEG-2/4 decoding acceleration		
Expansion Slot	1 x Mini PCI slot		
Onboard IDE	2 x UltraDMA 133/100/66 connectors (secondary 2.0 mm 44-pin header)		
Onboard Serial ATA	1 x SATA connector		
Onboard LAN	1 x VIA VT6103L 10/100 Mbps Ethernet controller		
Onboard Audio	VIA VT1617A 6 channel AC'97 Codec		
Onboard TV Out	VIA VT1625M HDTV Encoder		
Onboard I/O Connectors	1 x USB connector for 8 additional USB 2.0 ports 1 x Connector for COM port, SIR and LPC 1 x CIR connector (switchable for KB/MS) 1 x LVDS module connector, for 18/24-bit dual channel LVDS panel (an add-on card is required) 1 x TV out connector for S-Video, Composite, and Component (YPbPr/SCART/D-Terminal) 1 x Connector support 10/100Mbps Ethernet 1 x Connector for CRT VGA output, SMBUS, and CAPO 1 x Audio connector for Line-out, Line-in, Mic-in, CD-in and S/PDIF out 2 x Fan connectors for CPU and system fans 1 x Nano-ITX power connector		
BIOS	Award BIOS 4/8Mbit flash memory		
Operating System	Windows XP, Linux, Win CE, XPe		
System Monitoring & Management	CPU temperature monitoring CPU voltage monitoring FAN control Watch Dog Timer Wake-on LAN, Keyboard Power-on, Timer Power-on System power management AC power failure recovery		
Operating Temperature	0°C - 50°C		
Operating Humidity	0% ~ 95% (relative humidity; non-condensing)		
Form Factor	Nano-ITX (8-layer) 12 cm x 12 cm		

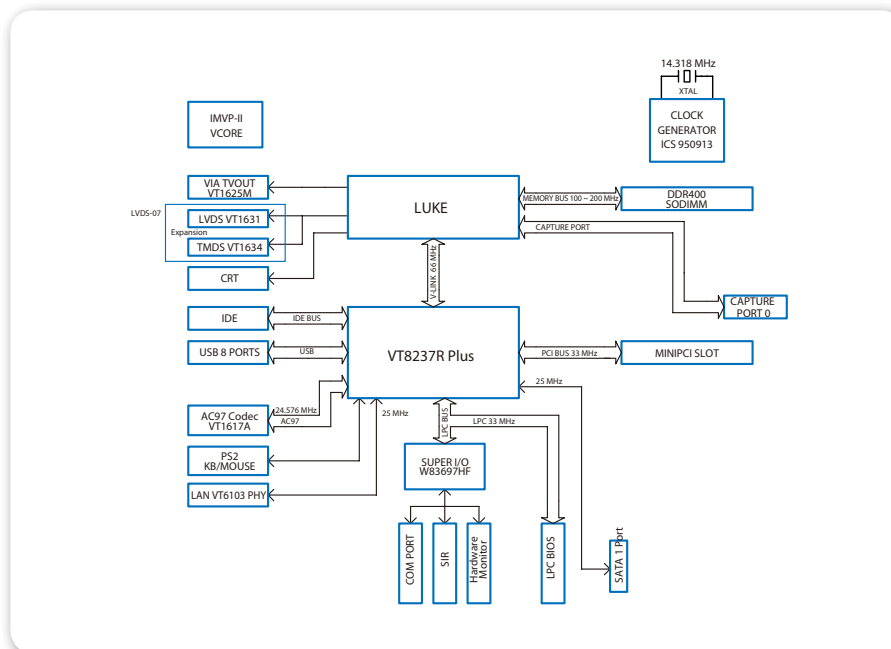
Accessories



Ordering Information

Model Name	CPU Frequency	Description
NL10000G	Luke 1.0GHz	Nano-ITX Board with Luke 1.0GHz Processing Unit, VGA, USB, LAN, LVDS, TV-out, SCART, COM, IDE & SATA
NL8000EG	Luke 800MHz	Nano-ITX Fanless Board with Luke 800MHz Processing Unit, VGA, USB, LAN, LVDS, TV-out, SCART, COM, IDE & SATA
NL5000EG	Luke 500MHz	Nano-ITX Fanless Board with Luke 800MHz Processing Unit, VGA, USB, LAN, LVDS, TV-out, SCART, COM, IDE & SATA

Block Diagram



Packing List

Items
1 x ATA-66/100/133 IDE ribbon cable
1 x LAN cable
1 x VGA cable
1 x PS2 cable
1 x USB cable
1 x Power cable
1 x General installation guide
1 x Driver Utility CD