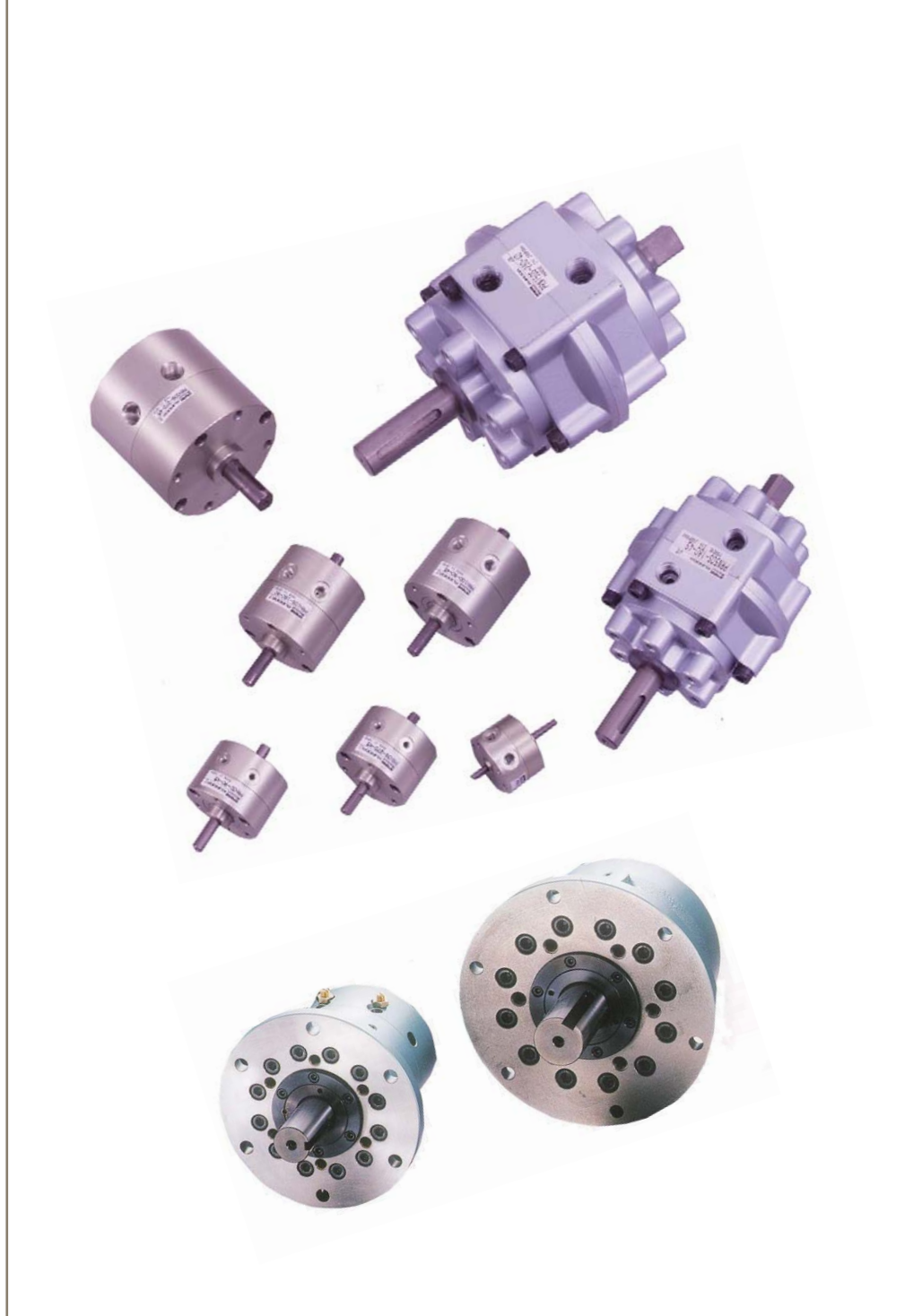


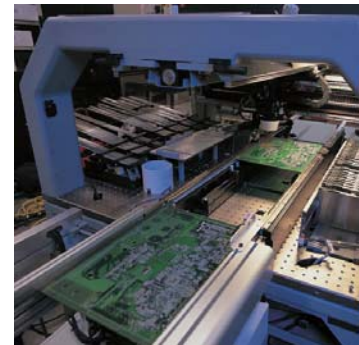


aerospace
climate control
electromechanical
filtration
fluid & gas handling
hydraulics
pneumatics
process control
sealing & shielding



Vane Type Rotary Actuator

Pneumatic HI-ROTOR



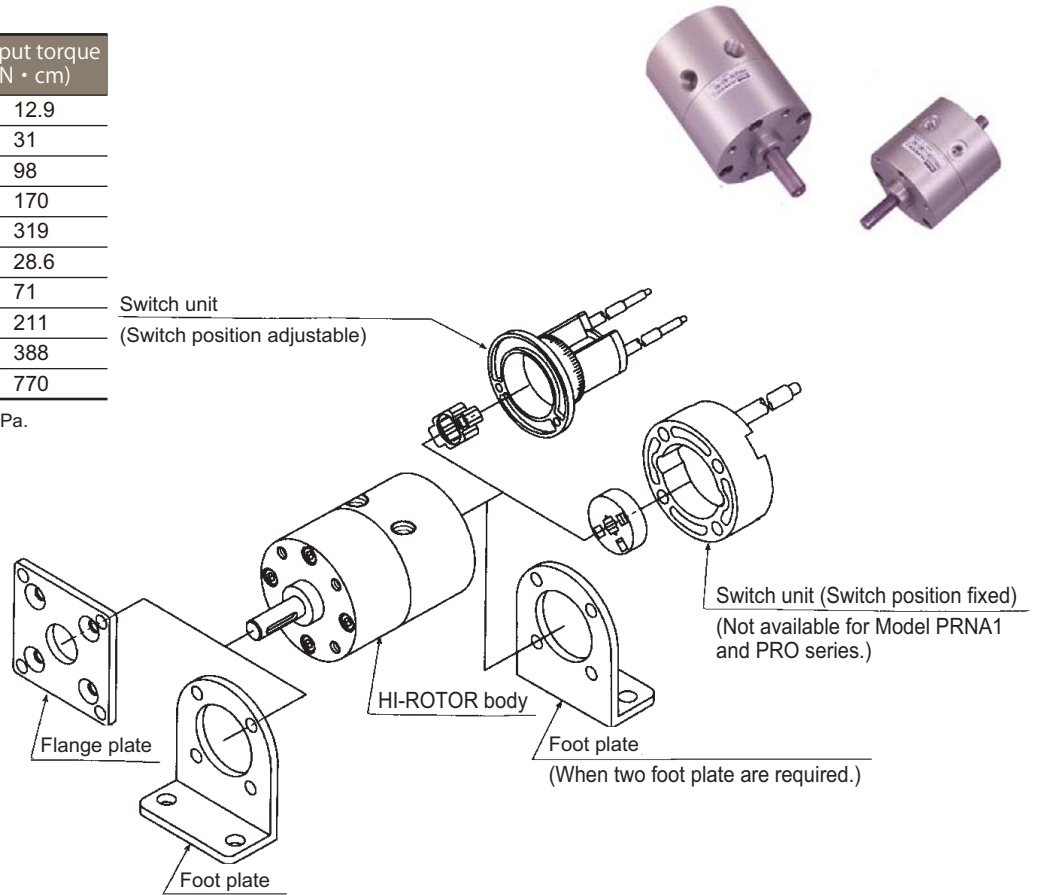
ENGINEERING YOUR SUCCESS.

Miniature HI-ROTOR

PRNA series

Vane type	Model No.	Output torque (N · cm)
Single vane	PRNA1S	12.9
	PRNA3S	31
	PRNA10S	98
	PRNA20S	170
	PRN30S	319
Double vane	PRNA1D	28.6
	PRNA3D	71
	PRNA10D	211
	PRNA20D	388
	PRN30D	770

(Note) Output torque is the value at 0.5 MPa.

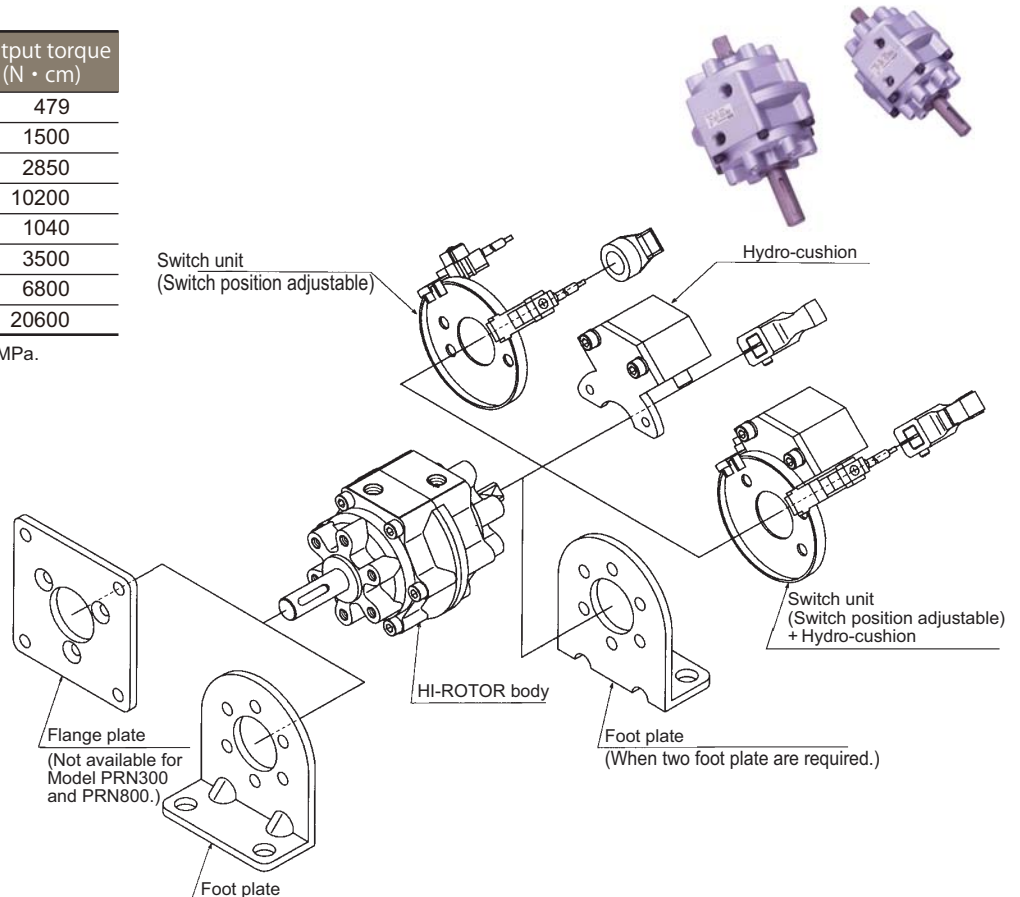


HI-ROTOR

PRN series

Vane type	Model No.	Output torque (N · cm)
Single vane	PRN50S	479
	PRN150S	1500
	PRN300S	2850
	PRN800S	10200
Double vane	PRN50D	1040
	PRN150D	3500
	PRN300D	6800
	PRN800D	20600

(Note) Output torque is the value at 0.5 MPa.



Vane Type Rotary Actuator

Pneumatic HI-ROTOR

■ Full series line-up

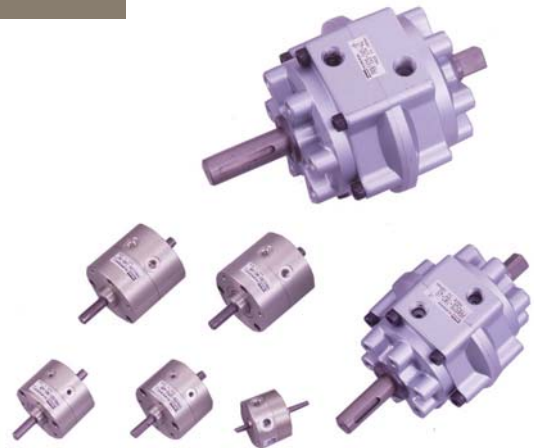
A full line of 1, 3, 10, 20, 30, 50, 150, 300, 800 is available. For PRNA1 and bigger models, single and double vane type (with double the effective torque) are available. For PRN50 and bigger models, a series of specially made cushion units (CRN) are available. In addition, there are HI-PAL HI-ROTORs of PRHA10 and bigger (incorporating solenoid valve).

■ Easy-to-use oscillating angle

Three oscillation reference points of 45° and 90° and five oscillating angles of 90°, 100°, 180°, 270° and 280° are featured. Oscillating angles that are frequently used are standardized for wide selection.

■ Durability to high temperature

Use of dry air dehumidified through an air dryer makes it possible to use HI-ROTOR within a surrounding temperature range of -5°C~ 80°C. (PRN:Usable at a maximum of 60°C)



■ Stable operation

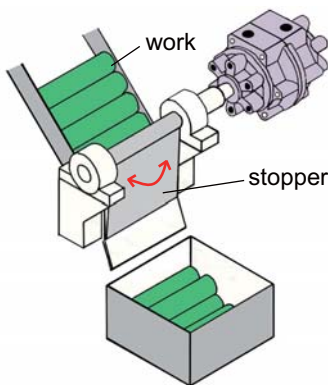
Uniquely designed sealing mechanism minimizes leakage, assuring low speed oscillating and stable, smooth operation at low pressures and speeds.

■ Outstanding durability

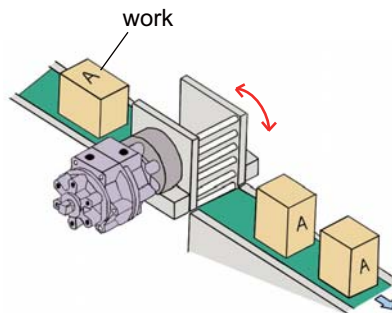
A solid vane shaft and built-in damper are combined with a unique sealing mechanism to assure outstanding durability. PRN50 and bigger models are capable of operating a greater load with the incorporation of a Hydro-cushion.

Application

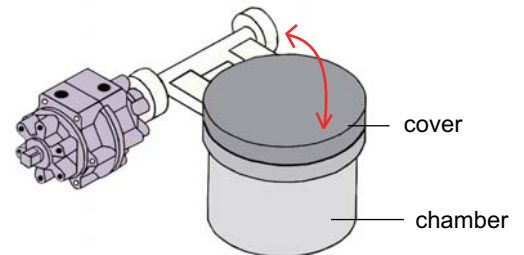
Stopper



Rotary motion



Open & Close



Full series line-up

MINIATURE HI-ROTOR

Standard type
PRNA Series

HI-PAL HI-ROTOR
/With solenoid valve
PRHA Series



Variable oscillating angle type
PROA Series



STEP HI-ROTOR

Unique vane type oscillating actuator
consisting of a combination of two
HI-ROTORs designed for 2 and 3-step feeds.

SH Series



HI-ROTOR

Standard type
PRN Series



HI-PAL HI-ROTOR
/With solenoid valve
PRH Series



HYDRO-CUSHION
Shock absorber for HI-ROTOR
CRN Series



Hydraulic

HYDRAULIC HI-ROTOR
Hydraulic vane type rotary actuator

HRN Series



Parker Worldwide - Asia Pacific Group -

CN - China, Shanghai
Tel: +86 21 5031 2525

CN - China, Beijing
Tel: +86 10 6561 0520

CN - China, Guangzhou
Tel: +86 20 3878 1583

HK - Hong Kong
Tel: +852 2428 8008

IN - India, Mumbai
Tel: +91 22 6513 7081-85

JP - Japan, Tokyo
Tel: +81 3 6408 3901

KR - South Korea, Seoul
Tel: +82-31-379-2261

MY - Malaysia, Shah Alam
Tel: +60 3 7849 0800

SG - Singapore
Tel: +65 6887 6300

TH - Thailand, Bangkok
Tel: +662 717 8140

TW - Taiwan, Taipei
Tel: +886 2 2298 8987

- Contents of this catalogue is published on Mar, 2011
- Specification might be changed without notice for product improvement

Kuroda Pneumatics LTD.

Tokyo Sales office TEL 03-6430-6616
Nagoya Sales office TEL 052-769-6070
Osaka Sales office TEL 06-6395-4000

www.parkerkuroda.com