

SPEC.SHEET NO:

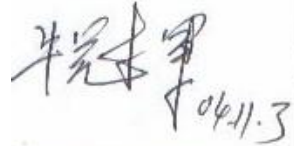
Address:
Block 9, Shuiwei Ind Zone, Shuiwei New
Village, Dalang, Longhua, Shenzhen,
Guangdong, China 518109

Tel: (86)755-28121370/ 28121371/28109416/28109419
Fax: (86)755-28109417
E-mail: rd@horn.com.cn
Website: www.horn.com.cn

CUSTOMER :Digi-Key Corporation

APPROVAL SHEET

PRODUCT NAME	PART NUMBER	DIMENSION	
HOLDER	01.AE.MT.974501	Φ 12.0×5.5 (mm)	

APPROVED BY	CHECKED BY	ISSUED BY
 黄刚 04.11.3	 11.03	 04.11.3

APPROVED BY

DATE

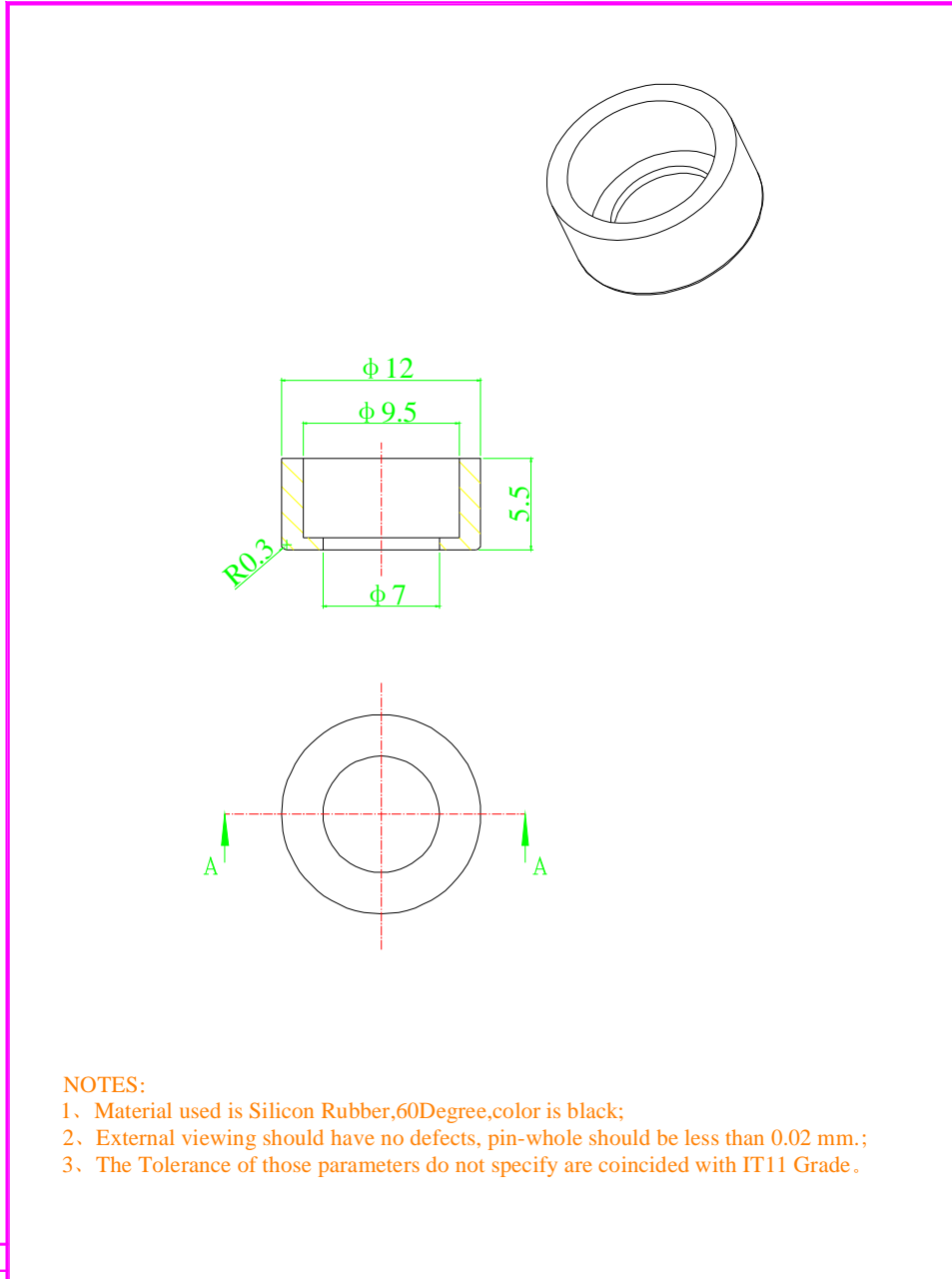
PART NUMBER: 01.AE.MT.974501

SPEC.SHEET NO:

Address:
Block 9, Shuiwei Ind Zone, Shuiwei New
Village, Dalang, Longhua, Shenzhen,
Guangdong, China 518109

Tel: (86)755-28121370/ 28121371/28109416/28109419
Fax: (86)755-28109417
E-mail: rd@horn.com.cn
Website: www.horn.com.cn

Holder:



NOTES:

- 1、 Material used is Silicon Rubber, 60Degree, color is black;
- 2、 External viewing should have no defects, pin-whole should be less than 0.02 mm.;
- 3、 The Tolerance of those parameters do not specify are coincided with IT11 Grade.

					Holder Rubber	Material: silicon rubber	
						Part No: 01.AE.MT.974501	
Drawing No	Mark	Doc No.	Signature	Date	Proportion		
Version	design		date		1:1		
	check		date		HORN Shenzhen Horn Electroacoustic Technology Co.,Ltd		
approve		date		Page 1 of 1			

PART NUMBER: 01.AE.MT.974501

Address:
Block 9,Shuiwei Ind Zone,Shuiwei New
Village,Dalang,Longhua,Shenzhen,
Guangdong,China 518109

Tel:(86)755-28121370/ 28121371/28109416/28109419
Fax: (86)755-28109417
E-mail: rd@horn.com.cn
Website:www.horn.com.cn

Packaging Detail:

1. Small Packet

The microphone-holder is for the use of ECM9745 type ,With its P/N: 01.AE.MT.974501.

50pcs of the holder are put in a transparent plastic bag as the packet.



Figure 1

2. Inner Packing

10 plastic packets are put in an INNER box. The will be 500 pieces of microphone-holders contained in this INNER box. For details, Please refer to figure 2.

Mearsure of the package:

Code	Dimension	Unit
Length	202	mm
Width	102	mm
Height	85	mm



Figure 2

3. Master carton packing:

One master carton contains 8 INNER boxes and one mastercarton usually has 4000 pieces microphone-holders .

PART NUMBER: 01.AE.MT.974501

SPEC.SHEET NO:

Address:
Block 9,Shuiwei Ind Zone,Shuiwei New
Village,Dalang,Longhua,Shenzhen,
Guangdong,China 518109

Tel:(86)755-28121370/ 28121371/28109416/28109419
Fax: (86)755-28109417
E-mail: rd@horn.com.cn
Website:www.horn.com.cn

But if the quantity of one order is not up to 4000 pieces, proper transportation boxes will be used. Please refer to figure 3.

Code	Dimension	Unit
Length	540	mm
Width	220	mm
Height	205	mm

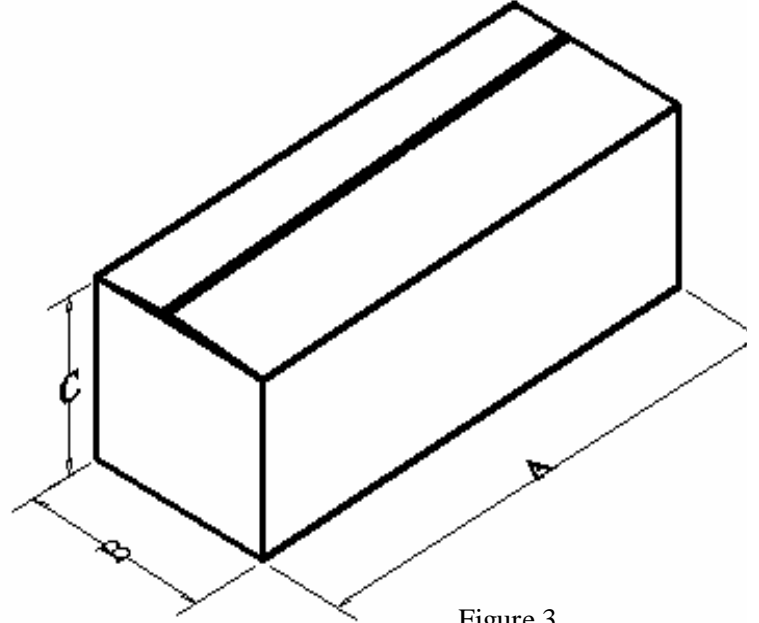


Figure 3

4. Weight detail:

The weight of a piece of microphone-holder is about 0.3g ,and look at The weight detail table below.

01.AE.MT.974501 COMPONENT PACKING		Bulk Pack(BP)	
Normal	Inner Box	Quantity	500pcs
		Sizes(L*W*H)	202*102*85mm
		net Weight	0.152kg
		Gross Weight	0.212kg
	Carton Packing	Quantity	1000pcs
		Sizes(L*W*H)	540*220*205mm
		net Weight	0.304kg
		Gross Weight	0.904kg
		Quantity	2000pcs
		Sizes(L*W*H)	540*220*205mm
		net Weight	0.608kg
		Gross Weight	1.208kg
Quantity	4000pcs		
Sizes(L*W*H)	540*220*205mm		
net Weight	1.216kg		
Gross Weight	1.816kg		

PART NUMBER: 01.AE.MT.974501