

# RPC-205X 2U 6-Slot Rackmount Chassis, Full-size CPU Cards support



## Features :

- 2U Height 19" Rackmount Chassis
- 6-slot ISA/PICMG Bus Passive Backplanes
- 1x 5.25" and 1x 3.5" Front Accessible Disk Drive Bay
- 1x Internal 3.5" Disk Drive Bay for Hard Disk
- Lockable Front Doors for Protecting the Running System
- 2x USB Port on Front
- Two cooling fans designed for optimizing the system's airflow
- Front LED indicator for PWR and HDD

## Specifications

System	
Construction	Heavy-duty Steel
Technics	Surface machining of spray-paint, high temperature firing
Storage	Internal: 1x 3.5" Disk Drive Bay For Hard Disk External: 1x 3.5" Floppy Disk Drive, 1x 5.25" CD-ROM or Removable Hard Disk Drive
System Fan	Front two 4020 fans
Front Panel	1x Power On Button 1x Reset Button 1x HDD LED 1x Power LED 1x USB Port
Rear Panel	N/A
Air filter	One hole for air filter on front panel
Color	Black
Dimensions	19"×18.6"×3.5", 482mm×473mm×89.2mm (W×D×H)
Carton Size	26.93"×22.32"×7.68", 684mm×567mm×195mm (W×D×H)
Net Weight	17.92lb±1lb (8.13kg±0.5kg)
Gross Weight	24lb±1lb(10.89kg±0.5kg)
Environmental	
Operating Temperature	32°F ~131°F (0°C ~55°C)
Storage Temperature	-4°F ~185°F (-20°C ~80°C)
Operating Humidity	5~95%
Storage Humidity	5~95%@40°C, non-condensing
Vibration	0.5G/5~500Hz/operation (3.5" Hard Disk Drive) 1.5G/5~500Hz/no operation
Shock	15G peak acceleration (11 m sec. duration), operation 30G peak acceleration (11 m sec. duration), non operation
EMC	FCC/CE Class B

## Packing List

- **0811500029**  
Power Cord
- **1630350609**  
PSU Screw
- **4000060089**  
HDD Screw
- **9041019509**  
Removable Cotton filter

## Ordering Information

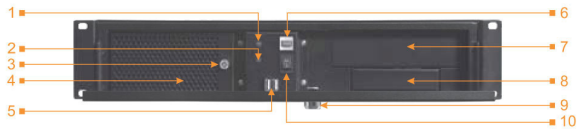
- **RPC-205-B**  
2U chassis, EIA RS-310C 19" Rackmount Standard, black, lockable door, 1x 3.5" HDD tray, 1x 5.25" Drive Bay, 2x USB, 1x COM, 2x intake fans, certification: FCC&CE

## Optional Accessories

- **PW-300**  
2U, 300W ATX PSU, input: 100~240V/AC@50~60Hz, Output: +3.3v, +5V, +12V, -12V, +5VSB
- **PBP-06V4**  
Backplane, 2x PICMG1.0 slots, 4x PCI slots, Size: 331mm×82.2mm, AT/ATX supported
- **PBP-06V5**  
Backplane, 1x PICMG1.0 slots, 5x PCI slots, Size: 290mm×80mm, ATX supported

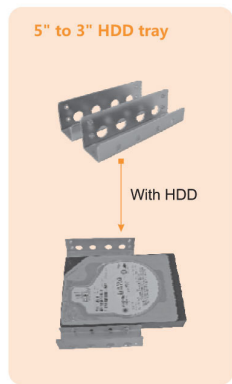
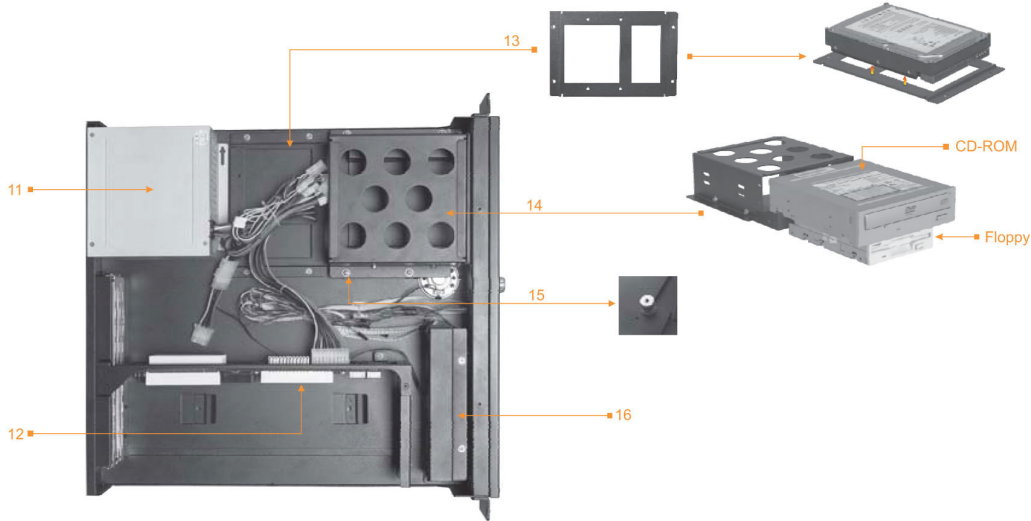
# RPC-205X 2U 6-Slot Rackmount Chassis, Full-size CPU Cards support

## Front Panel :

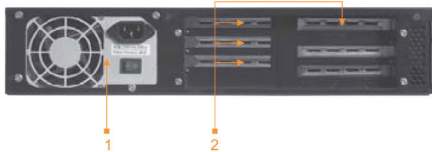


- 1、 Power LED
- 2、 HDD LED
- 3、 Screw for Air Filter Cover
- 4、 Cooling Hole
- 5、 2x USB Port
- 6、 Reset Button
- 7、 5.25" Drive bay
- 8、 3.5" Drive bay
- 9、 Locker
- 10、 Power Switch
- 11、 Power Supply
- 12、 Backplane
- 13、 HDD tray
- 14、 Drive Enclosure
- 15、 Shock-resistant Screw
- 16、 2x 8020 FAN

## Inside View :



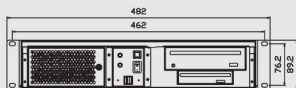
## Rear Panel :



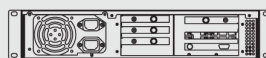
- 1、 Power Supply: PW-300 ATX
- 2、 Expansion slot(PCI/ISA/PICMG)

## Dimensions

Front:



Rear:



Top:

