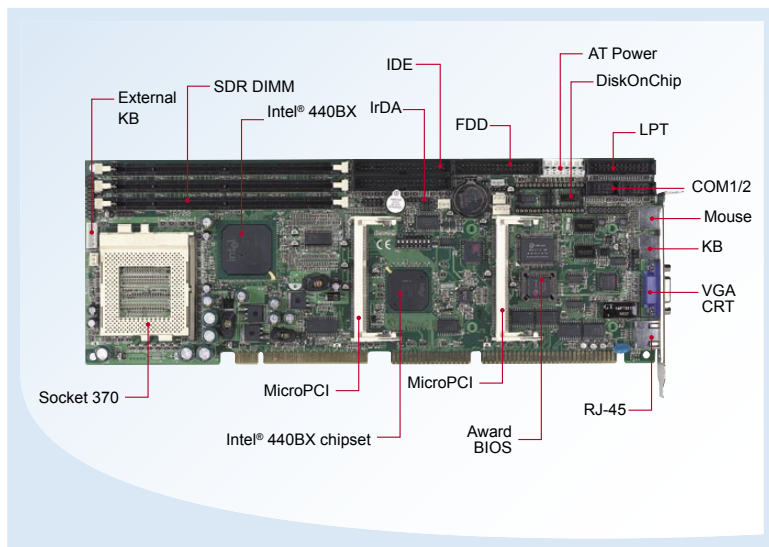


# CPU Cards

## IB700

Socket 370 Full-Size CPU Card w/ Intel® 440BX AGPset

Pentium® III-Based



### >> Features

- Supports Pentium® III / Celeron® processors  
Up to 1.1GHz, 66/100MHz FSB
- SDR DIMM x 3, Max. 768MB
- Two MicroPCI sockets support various MicroPCI cards (VGA/LAN/SCSI/1394)
- Supports 6 PCI Bus Master

## System

CPU	Socket 370 for Pentium® III / Celeron®, up to 1.1GHz
System Memory	SDR DIMM x 3, Max. 768MB
System Chipset	Intel® 440BX AGPset, 66/100MHz FSB
BIOS	Award 2Mbit
Watchdog Timer	16 levels
SSD	DiskOnChip®
H/W Monitor	Yes
Expansion Slot	Two MicroPCI sockets

## Graphics

VGA Controller	via optional MicroPCI card
VGA Memory	via optional MicroPCI card
LCD Interface	via optional MicroPCI card

## Ethernet

LAN Controller	via optional MicroPCI card
Connector	RJ-45 on board

## Multi I/O

Chipset	Winbond W83977 2x IDE (UDMA33), 1x FDD, 1x KB, 1x Mouse, 1x RS-232, 1x RS-232/422/485, 1x LPT
USB	Pin header for 2 ports (USB 1.1)
Audio	N/A
Others	IrDA

## Mechanical and Environmental

Dimensions	338mm x 122mm (13.31" x 4.8")
Max. Power Requirement	5V: 10A +/-12V: 200mA
Operating Temperature	0°C~60°C (32°F~140°F)
Storage Temperature	-20°C~80°C (-68°F~176°F)
Relative Humidity	10%~90% (non-condensing)

## Ordering Information

IB700	Socket 370 Full-Size Intel® 440BX CPU card w/ two MicroPCI sockets
IBL59*	MicroPCI card w/ Intel® 82559 Ethernet
IBD21	MicroPCI card w/ SMI SM721G4 VGA w/ 4MB memory
IBD99	MicroPCI card w/ C&T 69000 VGA and Intel® 82559 Ethernet*

\* Remarks: Other MicroPCI interface cards are available.