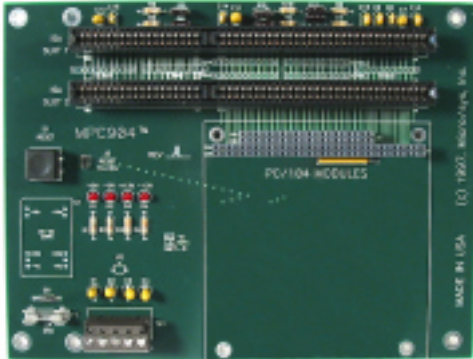




# Mixed PC/104 and ISA Backplane Assembly MPC904



## Features

- ✓ Accepts two ISA cards
- ✓ 8-bit and 16-bit ISA cards supported
- ✓ Accepts PC/104 CPU + I/O card stack
- ✓ Single power connection provides power to ISA and PC/104 cards
- ✓ Optional DC/DC converter for +5V only operation
- ✓ Space for user-installed termination

The MPC904 is a two-slot ISA backplane with space for a 'stack' of PC/104 boards. With XT-compatible ISA cards, 8-bit PC/104 cards can be used. With AT-compatible ISA cards, 16-bit PC/104 cards can be used.

Circuitry on the MPC904 connects the ISA and PC/104 signals together such that the two architectures can be mixed in a single system. CPU and I/O boards can be located in either section. In a typical system, a 'stackthrough' PC/104 CPU card will drive one or 2 ISA I/O cards.

The MPC904 provides a mechanically sound platform for mixed bus system development, including an optional metal chassis.

Space is provided for user-installed AC or DC termination networks.

A power connector provides terminals for connecting +5V, -5V, +12V, and -12V as required. A DC-DC converter option can be installed to generate +12V, -12V, and -5V from the +5V supply.

### Software Support

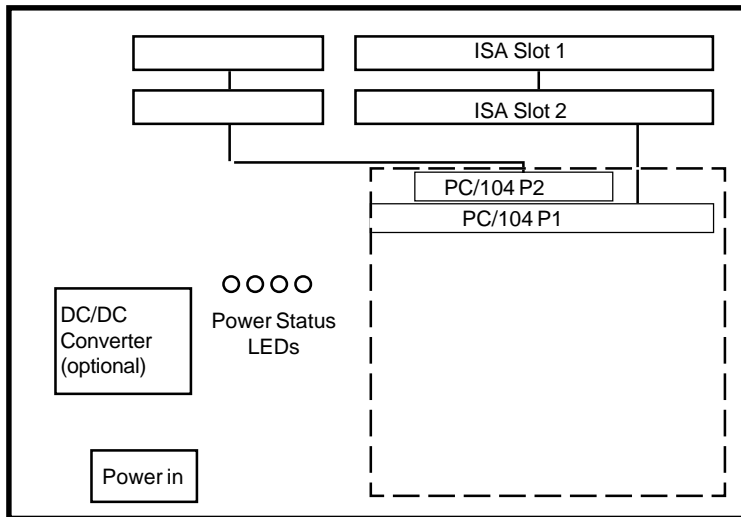


### Compatible Hardware

*Any Micro/sys CPU with  
STACKTHROUGH PC/104  
connector option  
[See Section 1]  
Any ISA bus expansion card*

### Mounting/Packaging

*OEM chassis, ENC904  
[Item above in Section 5]  
Chassis mounting*



## Specifications:

### Mechanical:

- 5.665" x 7.45"
- Slots for two ISA boards
- Space for PC/104 card 'stack'
- Bottom PC/104 card must be 'stackthrough'
- Six mounting holes for #6 screws

### Power Requirements:

- Determined by ISA and PC/104 boards (plus approximately 10ma per power supply for status LEDs)

### Environmental:

- 40° - +85°C operating
- 25° - +85°C storage
- 5%-95% relative humidity, non-condensing

### PC/104 Interface:

- 64-pin header for 8-bit bus signals
- 40-pin header for 16-bit bus signals

## Ordering Information:

MPC904	Mixed ISA and PC/104 mounting assembly
904OPT1	DC/DC converter installed