

RC4 Series Ordering Information

Catalog No./Item Description/Specifications

Catalog Number Explanation RC4ATCAL			
RC4 Identifies Poke-Thru Series	A Identifies Assembled Unit (A) or Cover (C)	TC Identifies that Unit is Approved for Tile and Carpet Floors	AL Identifies Color of Finish Flange

**RC4ATCGY
RC4ATCBK
RC4ATCAL
RC4ATCBS
RC4ATCVY
RC4ATCAB**

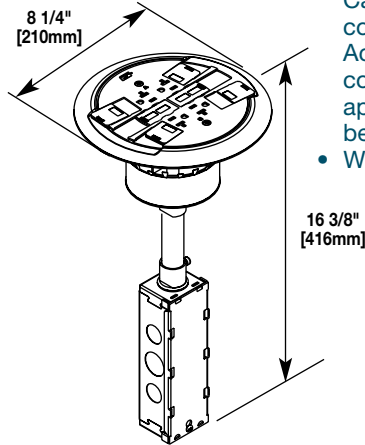
Assembled Unit – Unit includes four prewired 20A receptacles. Each duplex receptacle is wired as a separate circuit. The duplex can be wired as a standard receptacle or isolated ground. Finish flange available in gray (GY), black (BK), ivory (VY), or brushed metal finishes in aluminum (AL), and brass (BS). Aluminum and brass flanges shipped with black slide cover. Brass flange also available with nonmetallic brass colored slide holder. Wiremold open system unloaded inserts to accept four discrete keystone connectors from most manufacturers are provided.

- Unit also includes four Category 5e keystone connectors. Other 2A Activate™ inserts for fiber, coaxial, audio, and video applications can be ordered separately.
- Wiremold open inserts.

ORT

P&S

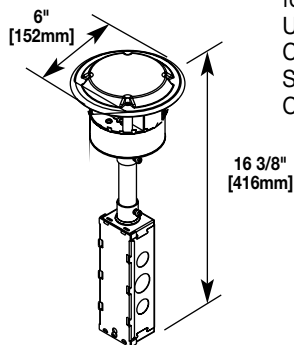
OPEN



NOTE: Assembled with scrub water gasket. For use on tile or carpet floors.

**RC4STC
RC4SRTTC**

Insert Assembly with Disposable Plate – Comes complete with four prewired 20A receptacles. Use RC4STC with RC4C Series Covers. Use with RC4SRTTC Stem with RC4CRT Series Covers (Ortronics).



Catalog No./Item Description/Specifications

Catalog Number Explanation RC4ARTTCAL				
RC4 Identifies Poke-Thru Series	A Identifies Assembled Unit (A) or Cover (C)	RT Designates Unit Includes Ortronics Workstation Connectivity Bezels	TC Identifies that Unit is Approved for Tile and Carpet Floors	AL Identifies Color of Finish Flange

**RC4ARTTCGY
RC4ARTTCBK
RC4ARTTCAL
RC4ARTTCBS**

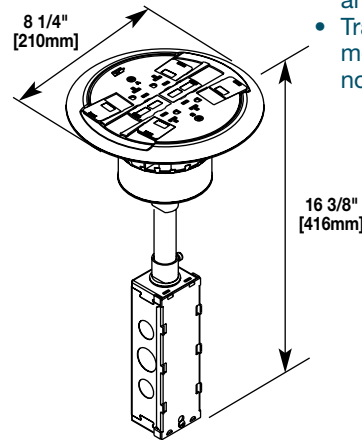
Assembled Unit – Prewired duplex receptacle can be wired as standard duplex or isolated ground. Flange available in painted gray (GY), black (BK), or brushed metal finishes in aluminum (AL) and brass (BS). Slide covers match the painted flange colors: gray and black. Aluminum and brass flanges shipped with black slide cover.

- Unit also includes Ortronics TracJack mounting bezels, four blank TracJack inserts for closing off unused communication openings, and Series II bezels.
- TracJack and Series II modular inserts not included.

ORT

P&S

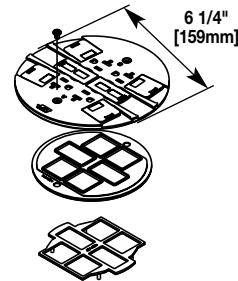
OPEN



NOTE: Assembled with scrub water gasket. For use on tile or carpet floors.

**RC4SHTCBK
RC4SHTCGY
RC4SHTCBS
RC4SHTCVY**

Nonmetallic Slide Holder Assembly – Available in black (BK), gray (GY), ivory (VY), and nonmetallic brass (BS).



NOTE: Assembled with scrub water gasket. For use on tile or carpet floors.

Flush Quad Poke-Thru With Four Multimedia Communication Locations



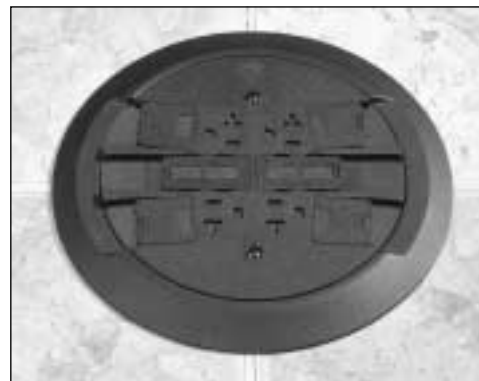
Protection from water, dirt, and debris.

The RC4 Poke-Thru combines four power receptacles with four communication locations. This poke-thru device is an excellent solution to bring power and multimedia services to the open space areas of above grade floors.

The redesigned RC4 Series now meets UL requirements for use on tile and terrazzo floor applications. **Additionally, the new design meets the future UL requirement for the scrub water exclusion test for carpet and wood floors.**



RC4 on carpet floor.



RC4 on tile floor.

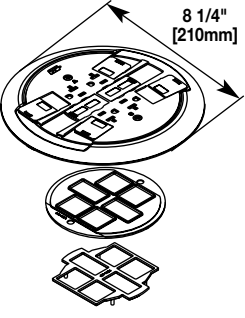
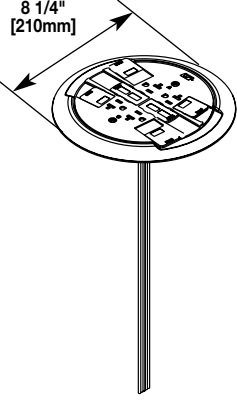
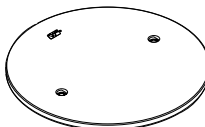
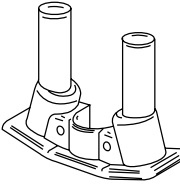
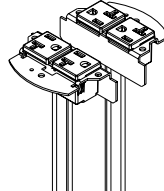
The purpose of this new requirement is to ensure that water does not enter the power compartment of the poke-thru device when exposed to cleaning equipment such as mops and shampoos.

The RC4 Series is an excellent solution for both new construction, as well as retrofit construction with typical applications that include office buildings, airports, malls, shopping centers, libraries, and schools.

Features & Benefits

- **TopGuard protection.** An integral design which keeps out water, dirt, and debris from the power and communication compartments. Whenever you see the TopGuard protection icon applied to any Wiremold product, you will know that the product meets and exceeds the new UL scrub water exclusion requirement.
- **Power receptacles wired for two circuits.** Four 20A power receptacles are wired with a 6-wire system with individual neutral and ground wires. The 20A receptacles can be wired as standard receptacles or for isolated ground. The receptacles are UL Listed to U.S. and Canadian safety standards.
- **UL Listed and UL Fire Classified to U.S. and Canadian safety standards for tile, terrazzo, and the future UL requirements under UL514A and UL514C for the scrub water exclusion test for carpet and wood floors. This future requirement takes effect June, 2003.**
- **New brushed aluminum flange option.** Provides additional color options for better aesthetics.
- **Communication connectors can be mounted both flush and recessed.** Flexibility to mount fiber optic, coaxial, video, and audio connectors below the finished floor surface for protection when not in use. Only flush poke-thru device in the industry that supports fiber optic connectors and quad power.
- **“Step-on-it” installation.** Allows quick and simple installation without additional fasteners. Labor savings provided by eliminating the need for a second installer. All wiring can be completed at floor level.
- **Individual slide covers and “Dead-front” protection.** Slide covers protect power and communication devices. Power slide covers snap back in place when power receptacles are not in use to prevent water, dirt, and debris from entering device. Flexibility to activate either power or communication services simultaneously or individually.
- **Suitable for use in air handling spaces in accordance with Sec 300-22 (C) of the National Electrical Code.**
- **Datcom connectivity options.** Accepts industry standard and proprietary devices from a wide range of manufacturers to provide a seamless and aesthetically pleasing interface for voice, data, audio, and video applications at the point-of-use. A wide selection of data and bezel options available for use with Ortronics®, TracJack®, and Series II devices.
- **Meets ADA Accessibility Guidelines.** Even though ADA does not specifically cover floor boxes or poke-thru devices, the wide trim flange on the product is designed to meet the ADA Accessibility Guidelines as it pertains to ADA Standard 4.5 which addresses changes in ground and floor surface levels. The poke-thru trim flanges are beveled so the slope is no greater than a 1:2 ratio.

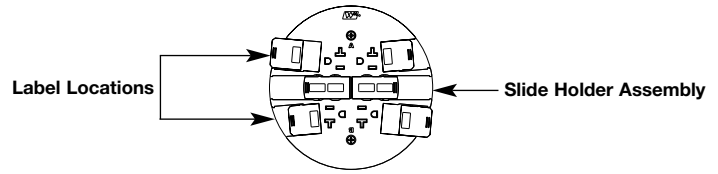
RC4 Series Ordering Information (Continued)

Catalog No./Item	Description/Specifications	Catalog No./Item	Description/Specifications
<p>RC4CTCGY RC4CTCBK RC4CTCAL RC4CTCBS RC4CTCAB RC4CTCVY</p> 	<p>Finish Flange and Slide Holder Assembly –</p> <p>Flange available in painted gray (GY), black (BK), ivory (VY) or brushed metal finished in aluminum (AL), and brass (BS). Slide covers match the painted flange colors: gray, black, and ivory. Aluminum and brass flanges shipped with black slide cover. Brass flange also available with nonmetallic brass colored slide holder. Wiremold open system unloaded inserts to accept four discrete keystone connectors from most manufacturers are provided. Other 2A Pass & Seymour Network Wiring inserts for fiber optic, coaxial, audio, and video applications can be ordered separately.</p> <ul style="list-style-type: none"> Unit also includes four Category 5e keystone inserts. Wiremold open inserts. 	<div style="background-color: #ccc; padding: 2px; margin-bottom: 2px;">ORT</div> <div style="background-color: #004a7c; color: white; padding: 2px; margin-bottom: 2px;">P&S</div> <div style="background-color: #004a7c; color: white; padding: 2px;">OPEN</div>	<p>RC4KTCBK RC4KTCGY RC4KTCAL RC4KTCBS RC4KTCAB RC4KTCVY</p> <p>Retrofit Kit – Used to upgrade existing installations of RC4 Poke-Thru Devices on carpet floors to meet scrub water requirements. Includes two 20A duplex receptacles that can be wired as a standard duplex or isolated ground. Also includes scrub water finish flange and slide holder assembly. Flange available in painted black (BK), gray (GY), ivory (VY), and brushed metal finishes in aluminum (AL), and brass (BS). See installation instructions with retrofit kit for complete installation details.</p>  <p>NOTE: Existing installations of RC4 Poke-Thru Devices are not required to be upgraded to meet carpet scrub water requirements, if manufactured prior to June, 2003.</p>
<p>NOTE: Assembled with scrub water gasket. For use on tile or carpet floors</p>	<p>RC4CRTTCGY RC4CRTTCBK RC4CRTTCAL RC4CRTTCBS</p> <p>Finish Flange and Slide Holder Assembly –</p> <p>Flange available in painted gray (GY), black (BK), or brushed metal finishes in aluminum (AL) and brass (BS). Slide covers match the painted flange colors: gray and black. Aluminum and brass flanges shipped with black slide cover.</p> <ul style="list-style-type: none"> Unit includes Ortronics TracJack mounting bezels, four blank TracJack inserts for closing off unused communication openings, and Series II bezels. TracJack and Series II modular inserts not included. 	<div style="background-color: #004a7c; color: white; padding: 2px; margin-bottom: 2px;">ORT</div> <div style="background-color: #ccc; padding: 2px; margin-bottom: 2px;">P&S</div> <div style="background-color: #ccc; padding: 2px;">OPEN</div>	<p>RC4APTCBK RC4APTCGY RC4APTCAB RC4APTCVY</p> <p>Abandonment Plate – Available in black (BK), gray (GY), painted brass (AB), and ivory (VY).</p>  <p>NOTE: To abandon the RC4 Series Poke-Thru Device, the duplex receptacle must be left installed in the unit in order to maintain scrub water compliance. Also the stem must remain in the core-drilled hole.</p>
<p>NOTE: Assembled with scrub water gasket. For use on tile or carpet floors.</p>	<p>COM50</p>  <p>Communication Adapter – For two 1/2" [12.7mm] conduit connections.</p>		<p>RC4REC2</p>  <p>Replacement Receptacle – Two prewired 20A receptacles can be wired as standard duplex or isolated ground. Available only in black. See installation instructions with replacement receptacle for complete installation details.</p> <p>NOTE: The 20A duplex receptacle supplied with the new scrub water version RC4 Poke-Thru Device is proprietary and can only be replaced with the RC4REC2.</p>

RC4 Series Specifications

Copper Cross Section:

The copper cross-sectional area determines the amount of wire fill capacity in a poke-thru device. Unlike other wire management systems that utilize wire fill capacity, a poke-thru is UL tested under fire conditions to determine the maximum amount of copper conductors that will pass through a poke-thru device, while maintaining the fire-rating of the concrete floor slab. The RC4 Series is UL Classified to U.S. and Canadian safety standards (see complete marking on product) to accommodate the following:



Copper Cross Sectional Area of Commonly Used Conductors		
Size	Solid	
#24	.00032 sq. in.	[.206mm ²]
#22	.00050 sq. in.	[.322mm ²]
#14	.00323 sq. in.	[2.083mm ²]
#12	.00512 sq. in.	[3.303mm ²]
#10	.00815 sq. in.	[5.258mm ²]
# 8	.01296 sq. in.	[8.361mm ²]

NOTE: Use above values for solid or stranded conductors.

The maximum copper cross sectional area for the RC4 **power compartment only** is .030720 sq. in. [19.821mm²]. The maximum copper cross sectional area for **each RC4 communication compartment only** is .016000 sq. in. [10.323mm²].

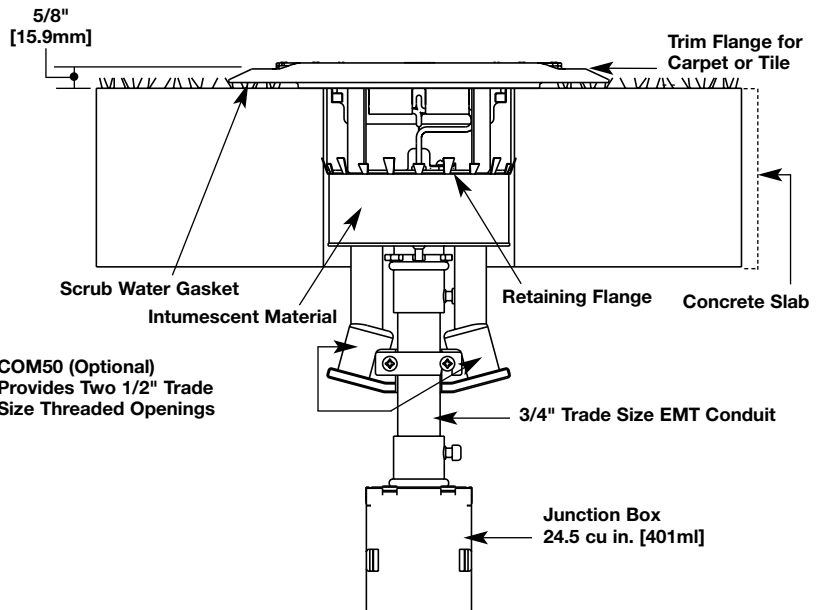
IMPORTANT!

The above maximum copper cross sectional area values are for each individual power and communication compartment. **DO NOT** add values together for any one compartment.

Floor Coverings:

The poke-thru device is fire rated for carpet or wood covered floors, tile floor coverings up to 3/4" [19.1mm] maximum thickness, and linoleum floor coverings up to a maximum of 1/8" [3.2mm] thickness. For other floor coverings not listed above, consult factory.

NOTE: The RC4 Series Poke-Thru requires a 4" [102mm] cored-hole.



CAUTION!

Core bits vary in size from manufacturer to manufacturer. Use a 4" American made core bit having an outside diameter of 4 1/16" [103mm].
 Minimum hole diameter: 4 1/16" [103mm].
 Maximum hole diameter: 4 1/8" [105mm].