

MCH-212

MCH-212



Industrial Shoebox Chassis Series



Introduction

The MCH-212 *Shoebox* is a rugged wall or bench-mount chassis featuring a passive backplane with choice of configurations -- 6-slot ISA or 5-slot PICMG (3 ISA/2 PCI slots). The MCH-212 *Shoebox* is constructed with heavy-duty steel and includes a standard 200W power supply that is UL, CSA, TUV and CE certified.

The MCH-212 *Shoebox* contains one high speed cooling fan and has space for mounting one 3.5" 1.44MB floppy disk and one 3.5" hard disk drive. The MCH-212 *Shoebox* also comes with standard LED indicators that show important status information at the front panel. These LED indicators include a two-digit, 7-segment error code display (for diagnostic purposes), an LED for HDD access, and 4-power status LED's for problem identification.

The MCH-212 *Shoebox* provides a card bridge bracket for protecting add-on boards against vibration. Other built-in

features of the MCH-212 include an 8-ohm speaker, and 9/25-pin input/output reserved ports.

The MCH-212 *Shoebox* is available in a wide range of systems, including slot board computer, DRAM, hard drives, and video upgrades. For detailed information, please refer MITAC Configuration Guide.

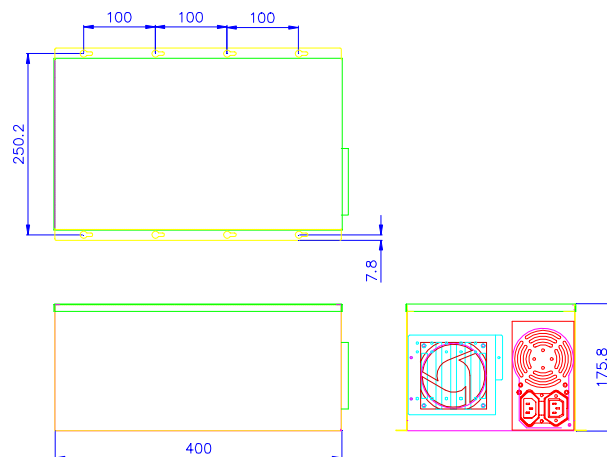
Features

- Heavy-duty steel casing.
- Passive backplane with choice of 6-slot ISA or 5-slot PICMG (3 ISA/2 PCI slots).
- 200W power supply.
- Disk drive housing for one 3.5-inch floppy disk and one 3.5-inch hard disk drive.
- Bridge clamp (bracket) for protecting add-on boards against vibration.
- One 30 CFM filtered cooling fan.
- LED front panel indicators for diagnostic purposes.
- Lock for keyboard.
- Three reserved ports for D-type connector.
- .Built-in 8-ohm speaker.

Specifications

Physical Dimensions (L x W x H)	265.6mm x 400mm x 175.8mm
Weight	Net Weight: 7.5kg, Gross Weight: 8 Kg
Construction	Heavy-duty steel
Backplane	ISA: Built-in 4-layer 6-slot ISA-bus passive backplane with bus power check circuit Keyboard connector x 1 Hidden reset switch x 1 PCI: Built-in 6-layer 5-slot PCI-bus passive backplane <i>Slots:</i> 2-ISA slots 1-Dedicated CPU slot 1-Dedicated PCI slot 1-Shared PCI/ISA slot Keyboard connector x 1 Hidden reset switch x 1
Disk Drive Bay	Capable of housing one 3.5-inch floppy drive and one 3.5-inch hard drive
Front Indicators	2-digit, 7-segment Error Code Display 1-LED for hard drive access 4-Power LED for power status
Cooling Fans	Dimensions: 92mm x 92mm x 25mm Capacity: 30 CFM with dust filter
Speaker	Built-in 8-ohm speaker
I/O Ports	Keyboard connector One 9-pin reserved port for D-type connector Two 25-pin reserved port for D-type connector
I/O Ports (cont.)	

Power Supply	Rated Input: AC 115V @ 5A, AC 220V @ 2.8, Switchable Rated Frequency: 50 - 60 Hz DC Output: 200 Watt Max. + 5V @ 20A +12V @ 8A -5V @ 0.5A -12V @ 0.5A
Add-on Card Bridge and Card Clamp	Flexible card clamp can protect add-on cards from vibration
Operating Temperature	0 - 55° C (32 - 131° F)
Storage Temperature	0 - 75° C (32 - 167° F)
Operating Humidity	5 - 95%, non-condensing
Storage Humidity	5 - 75%
Altitude	10,000 ft (3000m)
Vibration (operating)	1.5G Max. and 0.1° P-P at 5 to 640 Hz
Shock	10G Peak acceleration (10 ms duration)
MTBF	50,000 Hours
Safety	UL, CSA, and TUV approved
EMI	FCC Class A approved
CE	EN 50081-2 EN 50082-1 EN 60950



Dimensions: mm

Note: Specification is subject to change without notice.



MiTAC INDUSTRIAL CORP.

41968 Christy St., Fremont, CA 94538, U.S.A. • TEL: 510-656-5288 • FAX: 510-656-2669 • [http:// www.mitacinds.com](http://www.mitacinds.com)