

LCD Kits Series

6.5" ~ 19" LCD Kits with OSD Function



Features

1. Robust chassis and retention kit structure for shocking and vibration requirement
2. Over 300cd/m² high brightness and 50000hrs MTBF long lifetime panel
3. Analog VGA interface supports most of general system boards
4. 800 and 1000 nits super high brightness available



Specifications

Note: The smartOSD function is supported by revision 11 models and above

	LCD-KIT65G	LCD-KIT084GH-R11	LCD-KIT104GH-R11	LCD-KIT121G-R11	LCD-KIT150G-R11	LCD-KIT170G-R11	LCD-KIT190G-R11	SRM-KIT121G-R11	SRM-KIT150G-R11
LCD TYPE	6.5" TFT	8.4" TFT	10.4" TFT	12.1" TFT	15" TFT	17" TFT	19" TFT	12.1" TFT	15" TFT
Input Interface	VGA	VGA	VGA	VGA	VGA+DVI-D	VGA+DVI-D	VGA+DVI-D	VGA+DVI-D	VGA+DVI-D
Max Resolution	640 x 480 (VGA)	800 x 600 (SVGA)	800 x 600 (SVGA)	800 x 600 (SVGA) 1024 x 768 (XGA)	1024 x 768 (XGA)	1280 x 1024 (SXGA)	1280 x 1024 (SXGA)	800 x 600 (SVGA)	1024 x 768 (XGA)
Backlight MTBF	50000Hrs	50000Hrs	50000Hrs	50000Hrs	50000Hrs	50000Hrs	50000Hrs	50000Hrs	50000Hrs
Contrast	450:1	400:1	500:1	500:1 / 700:1	400:1	500:1	700:1	700:1	600:1
LCD Color	262K	262K	262K	262K	262K	16.2M	16.2M	262k	262k
Brightness (cd/m ²)	400 500 (High Luminance)	400 (High Luminance)	400 (High Luminance)	400 450 (High Luminance)	350	300	300	1000	800
AD BOARD	AV-9350	AV-5350	AV-5350	AV-5300	AV-5300	AV-5300	AV-5300	AV-5300	AV-5300
Adapter (12VDC output to LCD kit)	25W 63000-UP0251E12PL02-RS			45W 63000-UP0451E12P81L-RS					
Chassis	Heavy-duty steel								
View Angle (H/V)	140°/120°	120°/100°	100°/120°	140°/100° 160°/160°	120°/100°	140°/130°	140°/130°	130°/120°	150°/110°
OSD function	Yes								
Smart OSD	Yes								
Mounting	Panel								
Dimension (W)(H)(D) (mm)	203.4 x 121 x 34	234 x 147 x 35.3	242.2 x 209 x 33.6	294 x 240.7 x 42	364.1 x 262.5 x 41.9	390.4 x 300 x 46.9	427.9 x 327.4 x 48.4	316 x 224.4 x 47.9	364.1 x 262.5 x 46
Operation Temperature (°C)	0°C ~ 50°C							-10°C ~ +60°C	

Ordering Information

Note: The smartOSD function is supported by revision 11 models and above

Part No.	Description
6.5" LCD-KIT65G	6.5" 400cd/m ² VGA TFT LCD kit ,VGA input, RoHS
6.5" LCD-KIT65GH	6.5" 500cd/m ² High Luminance VGA TFT LCD kit, VGA input, RoHS
8.4" LCD-KIT084GH-R11	8.4" 400cd/m ² High Luminance SVGA TFT LCD kit, VGA input, RoHS
8.4" LCD-KIT084GHM-R11	8.4" 400cd/m ² High Luminance SVGA TFT LCD kit, VGA input, 9~36 V DC input, RoHS
10.4" LCD-KIT104GH-R11	10.4" 400cd/m ² High Luminance SVGA TFT LCD kit, VGA input, RoHS
10.4" LCD-KIT104GHM-R11	10.4" 400cd/m ² High Luminance SVGA TFT LCD kit, VGA input, 9~36 V DC input, RoHS
12.1" LCD-KIT121G-R11	12.1" 400cd/m ² SVGA TFT LCD kit, VGA and DVI-D input, RoHS
12.1" LCD-KIT121GM-R11	12.1" 400cd/m ² SVGA TFT LCD kit, VGA and DVI-D input, 9~36 V DC input, RoHS
12.1" LCD-KIT121GX-R11	12.1" 450cd/m ² XGA TFT LCD kit, VGA and DVI-D input, RoHS
12.1" LCD-KIT121GXM-R11	12.1" 450cd/m ² XGA TFT LCD kit, VGA and DVI-D input, 9~36 V DC input, RoHS
15" LCD-KIT150G-R11	15" 350cd/m ² XGA TFT LCD kit, VGA and DVI-D input, RoHS
15" LCD-KIT150GM-R11	15" 350cd/m ² XGA TFT LCD kit, VGA and DVI-D input, 9~36 V DC input, RoHS
17" LCD-KIT170G-R11	17" 300cd/m ² SXGA TFT LCD kit, VGA and DVI-D input, RoHS
17" LCD-KIT170GM-R11	17" 300cd/m ² SXGA TFT LCD kit, VGA and DVI-D input, 9~36 V DC input, RoHS
19" LCD-KIT190G-R11	19" 300cd/m ² SXGA TFT LCD kit, VGA and DVI-D input, RoHS
19" LCD-KIT190GM-R11	19" 300cd/m ² SXGA TFT LCD kit, VGA and DVI-D input, 9~36 V DC input, RoHS
SRM-KIT121G-R11	12.1" 1000 cd/m ² Sun Rdadable SVGA TFT LCD kit, VGA and DVI-D input, 9~36 V DC input,RoHS
SRM-KIT150G-R11	15" 800 cd/m ² Sun Rdadable XGA TFT LCD kit, VGA and DVI-D input, 9~36 V DC input,RoHS

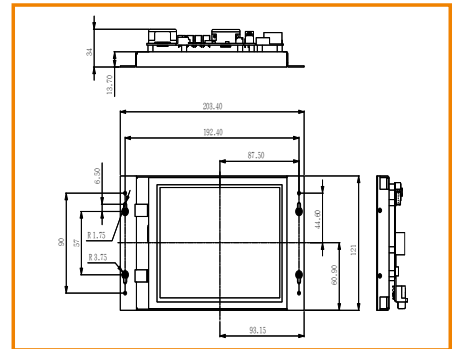
1000 nits Super High Brightness!

800 nits Super High Brightness!

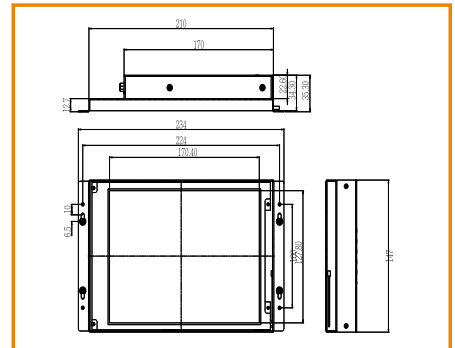
Remark: All the 9~36V DC input models are built to order.

Dimensions

LCD-KIT65G



LCD-KIT084G



LCD-KIT104G

