

# MBPC-200 Series/PS-50A/PS-25D

## MicroBox 3.5" Biscuit PC Chassis and Power Supply



### Introduction

The MBPC-200 MicroBox PC chassis is an ideal case for system integrators using any card from Advantech's half-size biscuit PC line of single board computers.

The PS-50A 50 watt switching power supply has an AC input of 100 ~ 240 volts and DC outputs of +5 volts and +12 volts. The PS-50A is especially designed to operate with Advantech's MBPC-200 series.

### Windows of Solutions

The MBPC-200/23BCE and MBPC-200/4825CE are complete systems which bundle Windows® CE and drivers with the PCM-4823/4825 and a 16 MB DOC®. They are available with a 10 MB Flash memory upon request.

### Ordering Information

- MBPC-200-0023/23L/25/25L/5820/5820L/5822/5823  
MicroBox 3.5" Biscuit PC Chassis for PCM-3860/3864/4823/4823L/4825/4825L/5820/5820L/5822/5823
- MBPC-200/23BCE 4823 MicroBox PC with Windows® CE on a 16 MB DiskOnChip®
- MBPC-200/4825CE 4825 MicroBox PC with Windows® CE on a 16 MB DiskOnChip®
- PS-50A 50 W AC Power Supply for MBPC-200 Series
- PS-25D DC-DC power supply for MBPC-200 with 386/486 SBC

### Specifications

#### MBPC-200 Chassis

- Chassis 1 expansion slot for PC/104  
2.5" HDD drive Space on the top of chassis
- Dimensions 39.5 mm x 166 mm x 114 mm (1.55" x 6.53" x 4.45")
- Combined Weight 1.1 kg (2.42 lbs)

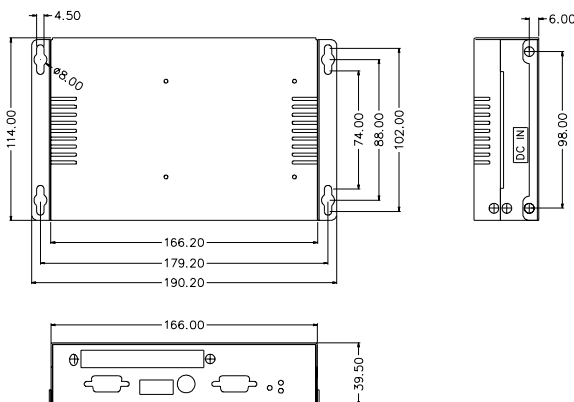
#### PS-50A 50W AC power supply

- Input Voltage 100 ~ 240 V<sub>AC</sub> auto
- Output Voltage +5 V @ 4.5 A, +12 V @ 2 A
- Operating Temperature 0 ~ 45° C

#### PS-25D 25W DC power supply

- Input Voltage 9~36 V<sub>DC</sub>
- Output Voltage +5 V @ 5 A, +12 V @ 0.25 A
- Dimensions 44 mm x 166 mm x 113 mm (1.73" x 6.53" x 4.45")
- Combined Weight 1.0 kg (2.2 lbs)

### MBPC-200 Dimensions



Unit: mm